

	Page
Features & Benefits .....	1.2
General, Standard Specifications .....	1.2
Construction Details .....	1.3, 1.4
How a <b>Pancake®</b> is built	
Action Information.....	1.5, 1.6
How a <b>Pancake®</b> Functions	
Option Information .....	1.7 - 1.14, 1.65, 1.66
Description of Options	
Custom Options and Specials .....	1.15
Air Spring.....	1.15
Accessories	
Flow Controls, Port Mounted and Others.....	1.16
Position Sensors .....	1.14, 1.16
Mounting Bolts .....	1.16
Wrench Flat Wrench .....	1.16
Detailed Specification	
Model Number Codes	
How to Order	
Standard Dimensions	
Seal Kit Part Numbers	
Magnetic Piston Position Sensing	
Option Dimensions	
1/2" (5) Bore.....	1.17 - 1.22
3/4" (7) Bore.....	1.23 - 1.28
1-1/8" (121) Bore.....	1.29 - 1.34
1-5/8" (221) Bore.....	1.35 - 1.40
2" (321) Bore.....	1.41 - 1.46
2-1/2" (521) Bore.....	1.47 - 1.52
3" (721) Bore.....	1.53 - 1.58
4" (1221) Bore.....	1.59 - 1.64
Flow Controls	
Port Mounted and Others .....	Section 12
Specials .....	ii, iii
2 Year Warranty .....	Inside back cover



This, the original **Pancake® Cylinder**, was designed in 1958 to satisfy the need for short stroke cylinders that would fit in very tight spaces. Today, with almost four decades of experience in thousands of cylinder applications around the world, **The Pancake® Line** offers you far more than any of its imitators – more features and options – better quality, strength and appearance – and far longer product life!

We are so confident in our design and manufacturing skills that **we back every Pancake® Cylinder with our 2-year Warranty!**



## Features

## Benefits

- Machined from aluminum bar-stock . . . . . • Strength, precision & clean lines
- Heavy wall construction . . . . . • Bore protection
- Internally lubricated O-rings . . . . . • Smooth operation & long life
- Duralon® nonmetallic rod bushing . . . . . • Superior bushing & rod life
- Hard chrome plated stainless steel piston rod . . . . . • Long life, corrosion resistance
- Crosshatch polished bore . . . . . • Lubrication retention for seal life
- More bores, strokes, options . . . . . • Fit your application
- Clear anodized . . . . . • Appearance & corrosion resistance
- Internal guide pins in non-rotating . . . . . • Protected from environment
- Prelubed with Magnalube®-G Grease . . . . . • Long life, smooth operation
- "T" Series . . . . . • Includes PTFE piston bearing
- 2 Year warranty . . . . . • Extended buyer protection



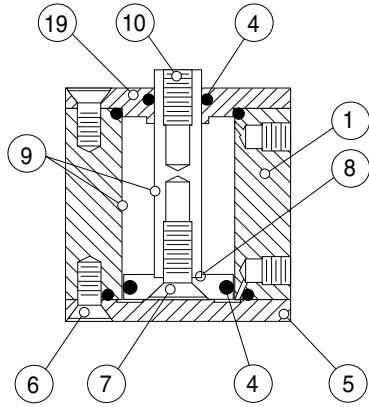
**Laboratory tests confirm that internally lubricated Buna-N O-ring seals have extended Pancake® cylinder life 2 to 3 times beyond that of cylinders using standard Buna-N seals.**

**General, Standard Specifications**

Media . . . . .	Air . . . . .	Optional - Hydraulic
Maximum operating pressure . . . . .	250 psi . . . . .	Optional - 500 psi
Minimum operating pressure . . . . .	See page 1.4, Item 4	
Ambient & media temperature . . . . .	-25° to + 250°F	
Prelubrication . . . . .	Magnalube®-G Grease	
Air line lubrication . . . . .	Recommended	
Stroke tolerance . . . . .	± 1/64"	

## Original Series

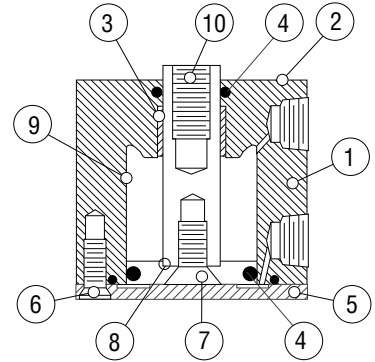
1



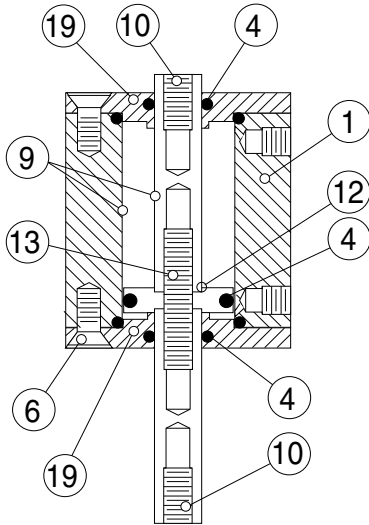
Single Rod – Double Acting  
Action - X  
1/2" & 3/4" Bores



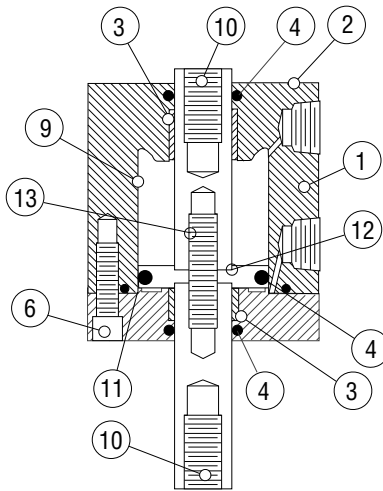
Single Rod - Double Acting  
Action -X shown



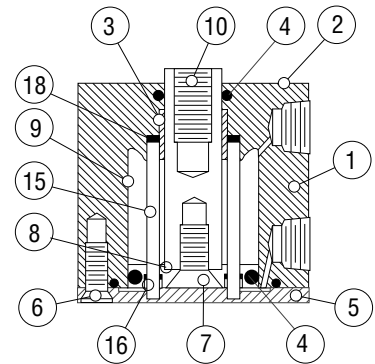
Single Rod – Double Acting  
Action - X



Double Rod – Double Acting  
Action - XDR  
1/2" & 3/4" Bores

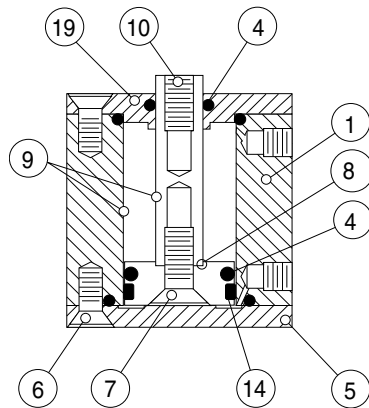


Double Rod – Double Acting  
Action - XDR

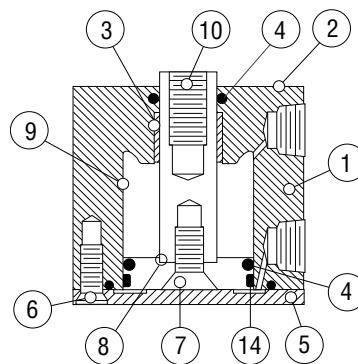


Single Rod – Double Acting –  
Nonrotating  
Action - XK

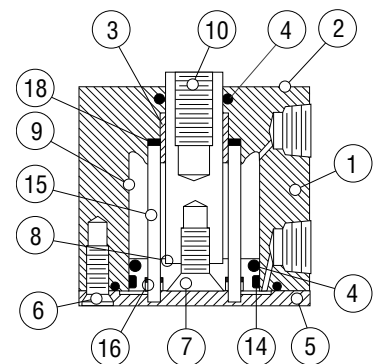
## "T" Series (PTFE Piston Bearing)



Single Rod – Double Acting  
Action - X  
1/2" & 3/4" Bores



Single Rod – Double Acting  
Action - X



Single Rod – Double Acting –  
Nonrotating  
Action - XK

**Nearly 4 decades of experience paying close attention to design detail, production and assembly techniques have resulted in the ultimate Fabco-Air Pancake®, short stroke cylinders. Pancakes® fit into very tight spaces and virtually ANY short stroke cylinder application. Think how well they will fit with your application!**

1. The heavy wall prohibits any damage to the bore from external forces.

2. The one piece cylinder body and bushing support end is machined from solid aluminum bar-stock. This provides unequalled strength, rigidity, and piston rod support. Machining all surfaces provides perpendicularity and concentricity for locating, mounting, and making attachments to the rod. It also presents a clean, smooth, "no-dirt-catching" appearance on your machine.

3. Unique construction provides unequalled piston rod support and prohibits "Blowout"! The one piece Duralon® rod bushing is inserted from the inside and then staked in place. Duralon® is a Teflon® lined fiberglass structure with a load carrying capacity of 60,000 psi. Compare capacity with Nylon® at 1,000 psi, porous bronze at 4,500 psi, and porous iron at 8,000 psi. Duralon also provides: CONSISTENCY, reliable and predictable performance from bushing to bushing; CORROSION RESISTANCE, nonmetallic materials resist galvanic, chemical and fretting corrosion; SELF LUBRICATION, Teflon® lining provides low friction and minimizes stick-slip, even under no-lube conditions; SEIZURE RESISTANCE, fiberglass backing material will not seize or gall on shaft under extreme wear. Generally the bearing length is increased as the stroke increases, providing even more piston rod support.

4. Internally lubricated Buna-N O'Rings (-25° to + 250°F) provide low profile, low friction, and long life sealing of piston and rod. All static seals are Buna-N.

These dynamic O'Rings are compounded to provide extra long wear and lower breakaway (starting) and running friction and smoother operation. In tests, cylinders with internally lubricated O'Rings have extended cycle life two to three times beyond cylinders with standard Buna-N seals. The chart below shows maximum breakaway or starting pressure to extend the rod of single rod, double acting (Action -X) cylinders with internally lubricated O'Rings under no-load conditions after 3 days delay at zero pressure. With other actions and/or combinations of options, breakaway pressures may vary.

Bore Number	5	7	121	221	321	521	721	1221
Bore, Inches	1/2	3/4	1-1/8	1-5/8	2	2-1/2	3	4
Breakaway psi	12.0	6.5	4.5	4.5	4.0	3.0	3.0	2.5

These low operating pressures allow for the use of vacuum as an Operating Media in many applications. 1.0 psi is the equivalent of 2.04" Hg of vacuum. To determine the force output of a cylinder with vacuum, multiply: Force Area of cylinder x inch Hg vacuum x 0.49 = Force, lb.

5. The thinnest possible piston and rear cover design keeps the overall height as short as possible. Please note that any cylinder offering less height than that of a Pancake® with the same stroke, sacrifices rod bushing length and/or overall strength.

6. The aluminum cover is held in place with multiple plated screws for strength, rigidity, ease of modification for specific application requirements, and ease of access for maintenance should it be required.

7. The aluminum piston is attached to the piston rod with a socket flat head cap screw which is torqued for proper preload on the screw and clamping of the piston. Loctite® on the threads and faces assures sealing and locks the assembly against pounding and vibration.

8. The piston in all bores has a counterbore for piston rod location and control of concentricity between piston rod and piston O.D.

9. Polishing the cylinder bore and piston rod produces a fine crosshatched finish. This crosshatching provides minute oil ring type grooves for retaining lubrication. This finish, unlike an ultra smooth finish, provides a place for lubrication to lie and support the seal as it moves along the surface. The surface finish and lubrication provide lower friction and longer seal life.

10. The piston rod is centerless ground, polished, and hard chrome plated (68-72 Rc) stainless steel. Surface finish is 12 RMS or better and carries lubrication like our cylinder bore (see 9). These features combined with the low friction and high load capacity of the Duralon® bushing provide exceptional cylinder life. Female, fine pitch rod thread and wrench flats are standard.

11. A pilot diameter on the cover is concentric with the rod bushing and locates in the cylinder bore to maintain the concentricity, precision, and rigidity of the Pancake® design.

12. Counterbores on both sides of the piston maintain concentricity of piston rods to each other as well as to the piston O'Ring. This also provides complete axial and radial rigidity of the piston so that it cannot float or be pounded loose.

13. The piston rods are connected by a high strength stud, sandwiching the piston between the rod end faces. The assembly is torqued for proper preload of the stud and clamping of the piston head. Loctite® on the threads and faces assures sealing and locks the assembly against pounding and vibration. This procedure provides a positive and rigid assembly that will not allow the piston to float or be pounded loose.

14. The "T" Series has a thicker piston which incorporates a bearing strip in addition to the O-ring seal. This bearing strip is a close tolerance, rectangular cross section strip of a tough, stable, wear resistant PTFE compound. If the piston rod assembly is forced off center by misalignment or other forces, this bearing, along with the long and rigid Duralon® rod bushing, supports the load and helps to maintain the long life of the cylinder bore and O-ring seal. Note: the bearing is not included, or required in double rod models because the long rod bushings at each end of the cylinder provide superb support.

15. Two guide pins of precision ground tool steel pass through the piston head. These guide pins prevent rotation of the rod with a tolerance of ±1°. Note that the guide pins are located internally. This provides protection from the environment and from physical damage. Lubrication is provided with other internal parts. NO additional space is required and the rod end is left free for attachments and tooling as required by the application. An information label, similar to this one, is applied to each cylinder to warn against damage.

**WARNING**

THIS CYLINDER HAS A NONROTATING ROD.  
TO PREVENT INTERNAL DAMAGE HOLD ROD BY WRENCH  
FLATS WHEN INSTALLING OR REMOVING ATTACHMENTS

16. The guide pins pass through Polyurethane O'Ring seals and SAE660 bearing bronze bushings incorporated in the piston head. This combination provides no leak, precision guiding and long life.

18. A disk of rubber is included at the end of the guide pins to take up play and firmly seat the pins in the precision machined guide pin holes.

19. Integral rod bearing and endcap is hard anodized aluminum. The piston rod seal O-ring is located as close to the outer end as feasible so that as much of the bearing as possible gets system lubrication as well as protecting most of the bearing length from the environment. A precision machined pilot diameter locates the cylinder bore to assure concentricity and proper rod alignment.

1

**Original Series**

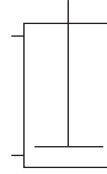
**"T" Series  
PTFE Piston Bearing**

**NFPA  
Symbol**

**Action Letter  
Action Description**

C-221-X

TC-221-X



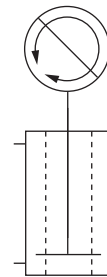
Action -X

Single Rod  
Double Acting

One Piston Rod  
Power Extend - Power Retract

C-221-XK

TC-221-XK



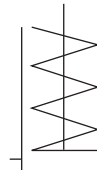
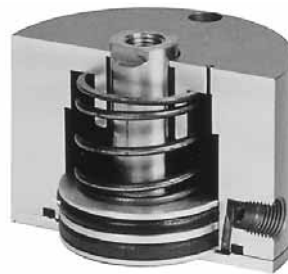
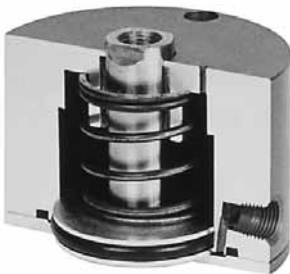
Action -XK

150 psi maximum  
Single Rod  
Double Acting  
Nonrotating

One Piston Rod  
Power Extend - Power Retract  
Piston guide pins for nonrotating

C-221-O

TC-221-O



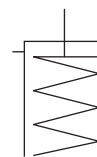
Action -O

Single Rod  
Single Acting - Spring Retracted

One Piston Rod  
Power Extend - Spring Retract

C-221-OP

TC-221-OP




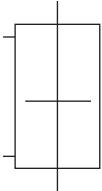

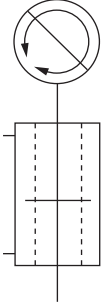

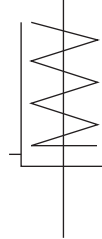
Action -OP

Single Rod  
Single Acting - Spring Extended

One Piston Rod  
Spring Extend - Power Retract



The "Action Letter" portion of the Pancake® Model Number specifies how many piston rods the cylinder has (Single Rod or Double Rod), how the piston rod is extended and retracted (Double Acting or Single Acting), and if the piston rod is restricted from rotating by internal guide pins (Nonrotating).

Original Series	"T" Series PTFE Piston Bearing	NFPA Symbol	Action Letter Action Description
<p><b>C-221-XDR</b></p> 	<p>The "T" Series is not required in the double rod version.</p> <p>Two rod bushings provide superb rod support</p>		<p><b>Action -XDR</b></p> <p>Double Rod Double Acting</p> <p>Two Piston Rods - One each end Power Extend - Power Retract</p>
<p><b>C-221-XDRK</b></p> 	<p>The "T" Series is not required in the double rod version.</p> <p>Two rod bushings provide superb rod support</p>		<p><b>Action -XDRK</b></p> <p>150 psi maximum Double Rod Double Acting Nonrotating</p> <p>Two Piston Rods - One each end Power Extend - Power Retract Piston guide pins for nonrotating</p>
<p><b>C-221-ODR</b></p> 	<p>The "T" Series is not required in the double rod version.</p> <p>Two rod bushings provide superb rod support</p>		<p><b>Action -ODR</b></p> <p>Double Rod Single Acting - Spring Retracted</p> <p>Two Piston Rods - One each end Power Extend - Spring Retract</p>

1

## PREFIX OPTIONS

MODEL NUMBER      PREFIX

**METRIC** Cylinder and Rod Thread.      **M**  
Female Rod Thread is standard.

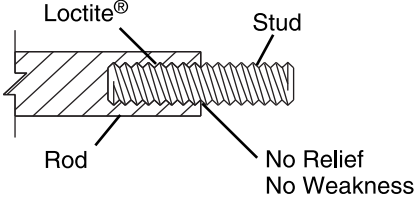
Optional Male Rod Thread  
add suffix **-MR**

## PREFIX OPTIONS

Mounting holes and rod thread are configured to common METRIC sizes. Ports in 1/2" (5) and 3/4" (7) bores are M5. Ports in 1-1/8" (121) bore and larger are G1/8 with 14mm spotface for 1/8 BSP-Parallel fittings and gaskets.

Available on all series, bore, stroke and action combinations.

See *Option Specifications* pages of desired bore and action for complete dimensional details.

SUFFIX OPTIONS MODEL NUMBER      SUFFIX	SUFFIX OPTIONS
<p><b>MALE ROD THREAD</b></p> <p>Single Rod                                <b>-MR</b>            Double Rod, Rod End Only        <b>-MR</b>            Double Rod, Cap End Only        <b>-MR1</b>            Double Rod, Both Ends            <b>-MR2</b></p> 	<p>A high strength stud is threaded into the standard female rod end and retained with Loctite®. This method eliminates the small diameter thread relief area normally required when machining male threads. This provides a much stronger rod end which can be repaired, rather than replacing the complete rod, should the thread be damaged.</p> <p>Available on all series, bore, stroke and action combinations.</p> <p>See <i>Option Specifications</i> pages of desired bore and action for complete dimensional details.</p>
<p><b>TEFLON® O'RING SEALS</b> (+400° to +500° F)                    <b>-T</b></p>	<p>For elevated temperatures (+400° to +500° F) or compatibility with exotic medias. Consult engineering for compatibility information.</p> <p>NOTE: Teflon seals are <b>NOT</b> for low friction. This seal material assumes the shape of the rectangular groove, exhibits no "memory" and will not return to round O'Ring cross section. Therefore the piston and rod seals may exhibit some leakage. This is even more pronounced in applications that require thermal cycling over wide temperature ranges. They are not, therefore, recommended for such applications.</p> <p>Available on all series, bores 1-1/8" (121) and larger, all strokes and actions -X, -XDR.</p> <p>See <i>Standard Specifications</i> pages of desired bore and action for complete dimensional details. There are no dimensional changes from standard.</p>
<p><b>VITON® O'RING SEALS</b> (-15° to +400° F)                        <b>-V</b></p>	<p>For elevated temperatures (-15° to + 400°F) or compatibility with exotic medias. Consult engineering for compatibility information.</p> <p>Available on all series, bore, stroke and action combinations.</p> <p>See <i>Standard Specifications</i> pages of desired bore and action for complete dimensional details. There are no dimensional changes from standard.</p>
<p><b>QUAD SEALS</b> (-30° to +250° F)                        <b>-Q</b></p>	<p>A <b>QUAD</b> seal replaces the standard O'Ring on the piston only. Standard seal material is Buna-N (-30° to +250°F). For other materials consult engineering.</p> <p>Available on all series, bore, stroke and action combinations.</p> <p>See <i>Standard Specifications</i> pages of desired bore and action for complete dimensional details. There are no dimensional changes from standard.</p>
<p><b>NONROTATING</b> Single Acting        <b>-NR</b></p> <p>For Double Acting, Nonrotating <b>SEE</b> Action -XK, -XDRK on pages 1.5 and 1.6</p>	<p>A Hex Rod of stainless steel in a broached, hard anodized aluminum endcap replaces the round rod in Single Acting, Spring Retracted (Actions -O, -ODR) cylinders.</p> <p>Available in all series, bores 1/2" (5), 3/4" (7), all strokes, actions -O, -ODR.</p> <p>See <i>Option Specifications</i> pages of desired bore and action for complete dimensional details.</p>



## SUFFIX OPTIONS

MODEL NUMBER      **SUFFIX**

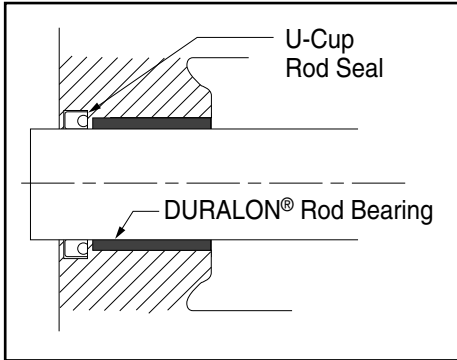
1

**HYDRAULIC**, Low Pressure Service to 500 psi NONSHOCK. Temperature to +300° F max.

Consult factory for media compatibility and operating temperatures over 300°F.

With Standard Thickness Cover      **-H**

With Thick Cover      **-HHC**



## SUFFIX OPTIONS

For Air-Oil or Hydraulic systems to 500 psi NONSHOCK.

1. A specially formulated U-Cup seal replaces the O-ring piston rod seal. This eliminates leakage past the rod seal and around the bushing.

2. Option **-HHC**, on single rod bores 1-5/8" (221) & larger, includes a thicker rear cover to assure that there is no warpage or failure when the mounting surface is the Rod End Face. See chart below.

3. **1/4 NPT Ports** are available on bores 1-5/8" (221) & larger. See Option **-P14** below.

4. Single Acting (Spring Return) Cylinders are designed for the spring to return the piston & rod assembly. Because of the low return forces available & the somewhat restricted flow, the piston returns slowly when used with oil at any pressure. Double Acting Cylinders are therefore recommended for Hydraulic service.

**-H** is available on all series, bores 1-1/8" (121) and larger, actions -X & -O, -OP, -XDR & -ODR, all strokes. Available also for Actions -XK & -XDRK on bores 2-1/2" (521) and larger. Consult factory for available strokes on bores 1-1/8" (121) to 2" (321) and actions -XK & -XDRK.

**-HHC** is available on all series. Bores 1-5/8" (221) and larger, all strokes, Actions -X & -O.

SEE *Option Specifications* pages of desired Bore & Action for complete dimensional details.

**Pressure Ratings (psi) for Various Mountings**

OPTION ACTION	-H -X, -O	-H -OP	-H -XDR, -ODR	-H -XK	-H -XDRK	-HHC -X, -O
Mounting surface is at rod end	250	500	500	150	150	500
Mounting surface is at cap end	500	500	500	150	150	500
<b>Other Options in Combination with -H or -HHC</b>						
-F	250	500	500	150	150	500
-PM	500	500	NA	150	NA	NA
-SM	500	500	NA	150	NA	NA
-EPM	500	500	NA	150	NA	NA
-ESM	500	500	NA	150	NA	NA
-AS	500	NA	NA	150	NA	NA
-RS	500	500	NA	150	NA	NA

## AIR SERVICE

With Thick Cover      **-HC**

**-HC** includes the thick rear cover. It is for AIR service, to 250 psi, when the thick rear cover is desired.

Available on all series, Bores 1 5/8" (221) and larger, all strokes, Actions; -X, -O.

See *Option Specifications* pages of desired Bore and Action for complete dimensional details.

## 1/4 NPT PORTS

**-P14**

Port size 1/4 NPT. On bores 1-5/8" (221) and 2" (321) the orifice between the port and the bore is also increased. All ports are in the standard locations.

Use when reduced pressure drop or higher cycle speeds are desired. They are particularly advantageous in Air-Oil Hydraulic applications.

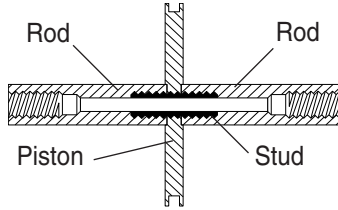
Available on all series, bores 1-5/8" (221) & larger, all strokes, all actions.

See *Standard Specifications* pages of desired bore & action for complete dimensional details. There are no dimensional changes from standard other than port size.

## SUFFIX OPTIONS

### HOLE THRU Double Rod Shaft

Bore	Standard		Standard Plus	
	Hole Size thru stud	Model No. Suffix (Std)	Hole Size thru stud	Model No. Suffix (Std Plus)
1/2", 3/4"	1/16	-06	—	—
1-1/8"	1/8	-13	5/32	-16
1-5/8"	1/8	-13	1/4	-25
2"	5/32	-16	5/16	-31
2-1/2"	5/32	-16	1/4	-25
3"	5/32	-16	1/4	-25
4"	1/4	-25	—	—



## SUFFIX OPTIONS

### 150 psi maximum operating pressure

A hole is drilled through the piston rods & the double rod stud (see construction details on page 1.3). This hole is used for the passage of Vacuum, Air, Gas, Oil, Liquid or any media that is compatible with the stainless steel piston rod and the steel stud. Maximum pressure, 150 psi. Hole sizes available for each bore size are shown in the chart to the left. If a larger hole is needed (for higher flows or mechanical members) or all stainless steel construction is needed (for compatibility or higher pressure) see "One Piece Piston & Rod Construction" under *Custom Options* on page 1.15.

Insert the SUFFIX Number into the Model Number immediately after the desired Action. For example: -XDR13

Available on Original Series, all Bores, all Strokes, Action; -XDR, -XDRK, -ODR.

See *Standard Specifications* pages of desired Bore & Action for complete dimensional details. There are no dimensional changes from standard.

### FINISH: Clear anodize is standard.

Plating: **Pro-Coat™**  
Electroless Nickel

-N

**Pro-Coat™**, Electroless Nickel Plating, is a hard, smooth, corrosion and wear resistant coating. It will often suffice for applications where stainless steel is specified. Its lasting luster provides high visual appeal.

The coating is a high nickel, low phosphorous alloy deposited by chemical reduction without electric current that is "mil-for-mil" more corrosion resistant than electroplated nickel. The surface is virtually pore free. The thickness of the nickel deposit is consistent over the entire surface. Blind holes, threads, small diameter holes and internal surfaces all receive the same amount of plating. It has natural lubricity and a high resistance to abrasion. As shipped hardness of the coating is approximately 49 Rockwell C. Heat treating can increase hardness to approximately 60 Rockwell C. For specific applications, consult engineering.

Besides cylinder parts, **Pro-Coat™** may be applied to valve bodies, solenoid housings, fittings and most any item that appears in this catalog.

**Pro-Coat™** is available on all series, bore, stroke and action combinations.

See *Standard Specifications* pages of desired bore and action for complete dimensional details. There are no dimensional changes from standard.

### STROKE COLLAR

on Piston Rod in 1/8" increments.

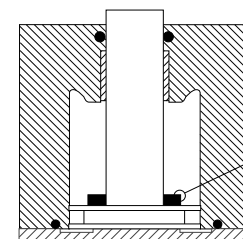
- |   |      |     |
|---|------|-----|
| 1) Start with the next longest stroke.                  | 1/8" | -C1 |
|   | 1/4" | -C2 |
| 2) Select the amount the stroke is to be shortened.     | 3/8" | -C3 |
|   | 1/2" | -C4 |
|   | 5/8" | -C5 |
| 3) Specify the corresponding <u>SUFFIX</u> designation. | 3/4" | -C6 |
|   | 7/8" | -C7 |

For those "in-between" strokes, a STROKE COLLAR is incorporated on the piston rod. The collar fits tightly on the piston rod so that it cannot float as the piston is stroked. Tolerance on the stroke is  $\pm 1/64"$ . For tighter tolerances on the stroke or final rod position, consult Engineering.

Available on all Series, all Bores, all Strokes, Actions; -X, -XDR, -OP. Also all series, Bores 3/4" (7) and larger, all Strokes, Actions; -XK, -XDRK. Also all Series, Bores 1/2" (5) & 3/4" (7), Actions; -O, -ODR.

SEE *Standard Specifications* pages of desired Bore & Action for complete dimensional details.

Cap End Rod Stick-out of Double Rod Units increases by amount stroke is shortened.



Stroke Collar

## SUFFIX OPTIONS

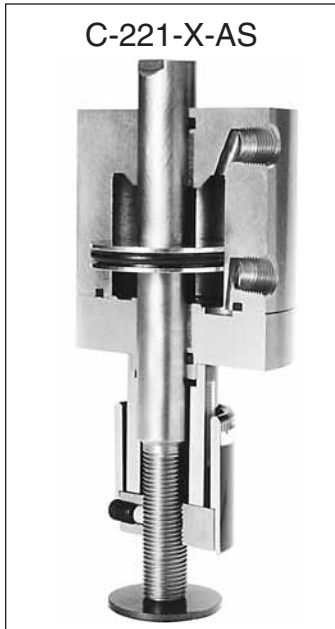
MODEL NUMBER      SUFFIX

1

### ADJUSTABLE EXTEND STROKE

For strokes through 4".      **-AS**  
Full stroke adjustment is standard.

**NOTE! Use caution when mounting to avoid creating pinch points.**



Adjustment settings are simplified by convenient scale markings applied to nut skirt and stop tube.

## SUFFIX OPTIONS

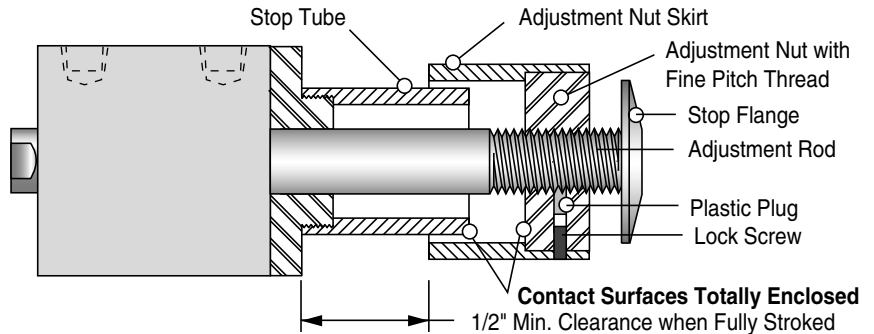
**Dial-A-Stroke®** provides a rugged and precision adjustment of the extend stroke of the cylinder. The stop tube, adjustment nut with skirt & minimum clearances combine to eliminate pinch points, thus providing operator safety. **Note!** Use caution when mounting to avoid creating pinch points with other parts of your machine design.

The stop tube is black anodized aluminum, the adjustment nut is blackened steel with a black anodized aluminum skirt, and the stop flange is red anodized aluminum; all for corrosion resistance and appearance. The adjustment nut, steel for long life, includes a lock screw with a plastic plug so that the adjustment nut can be locked in place without damaging the threads. The stop flange is mounted on the end of the adjustment rod so that the nut cannot come off. The fine pitch threads on the adjustment rod and nut provide precision adjustment. Bores 1-1/8" (121) and 1-5/8" (221) have a 1/2-20 thread giving .050" adjustment per revolution & Bores 2" (321) & larger have a 3/4-16 thread giving .063" adjustment per revolution.

The -AS designation provides full stroke adjustment.

Available on Original Series, Bores 1 1/8" (121) & larger, all Strokes, Actions; -X, -XK, -O.

SEE *Option Specifications* pages of desired Bore and Action for complete dimensional details.



### ADJUSTABLE RETRACT STROKE

Any stroke with up to and including 1" adjustment. . . . . **-RS**  
Any stroke with over 1" adjustment, specify adjustment length after the -RS  
Example: 2" adjustment. . . . . **-RS2**



An adjusting screw with a thread sealing locknut mounted in a thick rear cover provides a simple yet rugged and precision adjustment of the cylinder stroke in the retract direction. The fine thread of the adjusting screw provides precision adjustment. Bores 1/2" (5), 3/4" (7), have a 5/16-24 thread giving .042" adjustment per revolution. Bore 1-1/8" (121) has a 3/8-24 thread giving .042" adjustment per revolution. Bores 1-5/8" (221) and larger have a 1/2-20 thread giving .050" adjustment per revolution.

The -RS designation provides full stroke adjustment of any cylinder with 1" stroke or less, and 1" of stroke adjustment on all longer strokes. When longer adjustments are required, on longer cylinders, add the desired adjustment to the -RS designation (1/2" increments please). Example: -RS2 will provide 2" of adjustment on any cylinder with 2" or more of stroke.

Available on all series, all bores, all strokes, actions -X, -XK, -O, -OP.

See *Option Specifications* pages of desired bore and action for complete dimensional details.

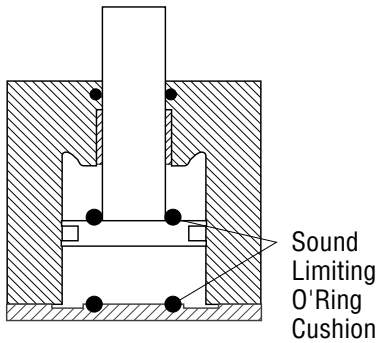
## SUFFIX OPTIONS

MODEL NUMBER      SUFFIX

### SOUND LIMITERS

Rod End Only                      **-LF**  
 Cap End Only                      **-LR**  
 Both Rod and Cap Ends        **-LFR**

Temperature Range: -25° to +220° F



## SUFFIX OPTIONS

For applications where you need a small amount of cushion at the end of the cylinder stroke to take out the metallic “slap” of piston head on piston stop. This is accomplished by placing an O’Ring on the piston, and/or in the rear cover so that initial contact is with the elastomer and not metal-to-metal.

The Fabco-Air design assures sufficient compression of the seals to allow full stroke.

Because of the temperature limitations of the adhesives involved, sound limiters are available in cylinders with internally lubricated Buna-N O’Rings only.

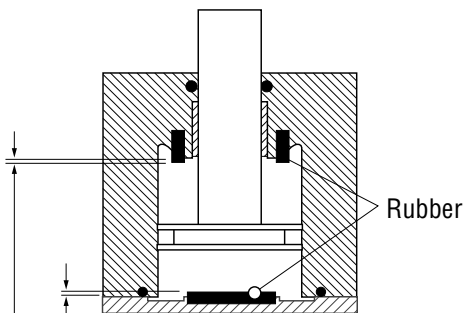
Available on all series, all bores, all strokes, actions -X, -O (Cap end only, -LR), -OP, -XDR, XDRK, -ODR (Cap end only -LR).

See *Standard Specifications* pages of desired bore and action for complete dimensional details. There are no dimensional changes from standard.

### RUBBER BUMPERS

Rod End Only                      **-BF**  
 Cap End Only                      **-BR**  
 Both Rod and Cap Ends        **-BFR**

Temperature Range: -25° to +220° F



Standard rubber mass provided will compress and give full stroke at 60-80 psi. Mass can be adjusted to meet your specific pressure and/or dynamic load requirements

A rubber doughnut is bonded to the cylinder head to act as the piston stop and absorb the impact of the piston. This reduces noise and absorbs energy, thus reducing destruction of the cylinder and tooling due to pounding. The amount of rubber that extends beyond the normal piston stop is designed to compress and allow full stroke of the cylinder at 60 to 80 psi. If your application uses lower pressure or has high energy, consult engineering with application details so that rubber mass can be adjusted to meet your specific requirements.

On applications such as punching, shearing, etc., where high forces are built up and then very quickly released, the proper method of “CATCHING” this load is to adjust the position of the cylinder and tooling so at the point of breakthrough the piston is very close to or touching the bumper. This reduces the dynamic load that the piston and bumper are required to absorb. It is highly recommended that shock absorbers be considered and built into the tooling to assist in absorbing the force and dynamic loads generated in such applications.

Because of the temperature limitations of the adhesives involved (-25° to +220°F) Rubber Bumpers are available in cylinders with standard internally lubricated Buna-N seals only.

Use to reduce noise and absorb impact.

Note! The springs in single acting models are designed to return only the piston and rod assembly and will not significantly compress the rubber bumpers.

Available on all series, all bores, all strokes, actions -X, -XK, -O (Cap end only, -BR), -OP (Rod end only, -BF), -XDR, XDRK, -ODR (Cap end only -BR).

See *Standard Specifications* pages of desired bore and action for complete dimensional details. There are no dimensional changes from standard.

## SUFFIX OPTIONS

MODEL NUMBER      **SUFFIX**

**1**

### CLEVIS (Pivot) MOUNT

Ports in Line with Slot

Ports 90° to Slot

**-PM**

**-SM**

C-221-X-PM with RC-38



## SUFFIX OPTIONS

CLEVIS MOUNT provides a pivot point attachment to allow pivotal motion of the cylinder as the piston rod extends or retracts. The pivot is bushed with an oil filled powdered metal bushing. The pivot pin (416 stainless steel) and clips are included as standard. On bores 1-5/8" (221), 2-1/2" (521), 3" (721) and 4" (1221), the Clevis Mount can be rotated 90° to provide either -PM or -SM option. To further assist in the mounting, rod clevises and eye brackets are available accessories.

In many applications requiring pivotal mounting, the cylinder is mounted with its centerline horizontal. Due to the weight of the cylinder and its attachments, this can result in some off center loading, and possibly binding of the piston and rod, causing accelerated wear. For such applications the "T" Series cylinders are recommended.

Available on all series, all bores, all strokes, actions: -X, -XK, -O, -OP.

See *Options Specifications* pages of desired bore and action for complete dimensional details of cylinders, rod clevises and eye brackets.

### EYE (Pivot) MOUNT

Ports in Line with Tang

Ports 90° to Tang

**-EPM**

**-ESM**

C-221-X-EPM



EYE MOUNT provides a pivot point attachment to allow pivotal motion of the cylinder as the piston rod extends or retracts. The pivot is bushed with an oil filled powdered metal bushing. On bore 1-5/8" (221) the Eye Mount can be rotated 90° to provide either -EPM or -ESM option. To further assist in the mounting, rod clevises and clevis brackets are available.

In many applications requiring pivotal mounting, the cylinder is mounted with its centerline horizontal. Due to the weight of the cylinder and its attachments, this can result in some off center loading, and possibly binding of the piston and rod, causing accelerated wear. For such applications the "T" Series cylinders are recommended.

Available on all series, bores: 1/2" (5), 3/4" (7), 1-1/8" (121), 1-5/8" (221) and 2" (321), all strokes, actions: -X, -XK, -O, -OP.

See *Option Specifications* pages of desired bore and action for complete dimensional details of cylinders, rod clevises and eye brackets.

### THREADED NOSE MOUNT

**-F**

C-221-X-F



THREADED NOSE with pilot diameter provides convenient, rigid and precision mounting. A hex mounting nut is included as standard and is also available separately. On bores 1-1/8" (121) and 1-5/8" (221) a urethane rod wiper is included, as standard, to exclude dirt from the rod bushing and seal.

Available on all series, bores: 1/2" (5), 3/4" (7), 1-1/8" (121), 1-5/8" (221), all strokes, all actions.

See *Option Specifications* pages of desired bore and action for complete dimensional details of cylinder and mounting nuts.

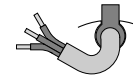


## Suffix Option -E Specifies Magnetic Piston and Dovetail Mounting Slot(s) Order Sensors Separately

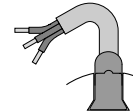


A single slot on longer stroke models has room to accommodate multiple sensors.

Shorter stroke Pancake® Cylinders are furnished with two dovetail mounting slots when Suffix Option "E" is specified.

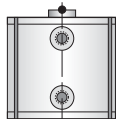
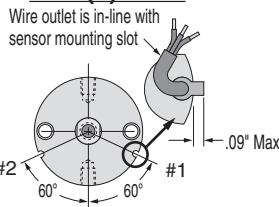


Keyway slot for 1/2" bore Pancakes to fit ø3.8mm style "9B49" sensors. Wire is in-line with slot.



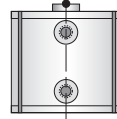
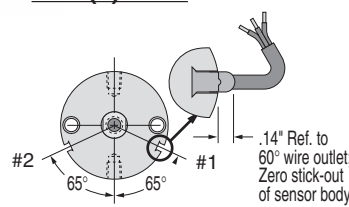
1/4" 60° Dovetail for 3/4" bore Pancake®s & up to fit "949" sensors.

### 1/2" (5) Bore



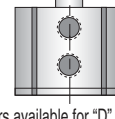
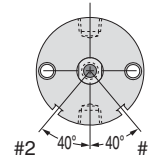
Sensors available for "D" & "TD" strokes and longer. Strokes D - J & TD - TJ have 2 mounting slots; others have 1. Strokes D & TD are ported on opposite sides.

### 3/4" (7) Bore



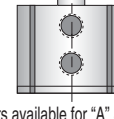
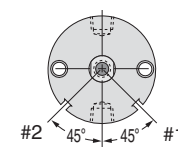
Sensors available for "D" & "TD" strokes and longer. D - J & TD - TJ have 2 mounting slots; others have 1. Strokes D & TD are ported on opposite sides.

### 1 1/8" (121) Bore



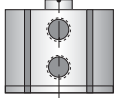
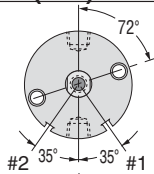
Sensors available for "D" & "TD" strokes and longer. D - F & TD - TF have 2 mounting slots; others have 1. Strokes D & TD are ported on opposite sides.

### 1 5/8" (221) Bore



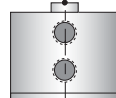
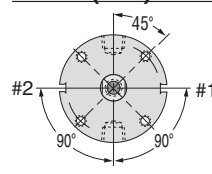
Sensors available for "A" & "TB" strokes and longer. A - D & TB - TD have 2 mounting slots; others have 1. Strokes A is ported on opposite sides.

### 2" (321) Bore



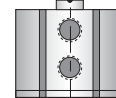
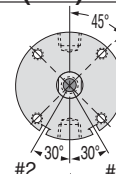
Sensors available for "AA" & "TA" strokes and longer. AA - D & TA - TD have 2 mounting slots; others have 1. Strokes AA - A & TA are ported on opposite sides.

### 2 1/2" (521) Bore



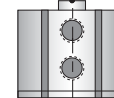
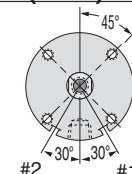
Sensors available for "AA" & "TA" strokes and longer. AA - C & TA - TC have 2 mounting slots; others have 1. Stroke AA is ported on opposite sides.

### 3" (721) Bore



Sensors available for "AA" & "TA" strokes and longer. AA - C & TA - TC have 2 mounting slots; others have 1. Stroke AA is ported on opposite sides.

### 4" (1221) Bore

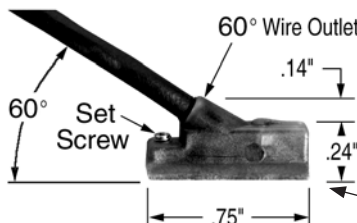


Sensors available for "AB" strokes and longer. AB - A & TAA - TA have 2 mounting slots; others have 1.

### Temperature Range:

-20° to + 80°C (-4° to + 176°F)

Female Cordsets for Quick Disconnect	Length	Part No.
	1 Meter	CFC-1M
	2 Meters	CFC-2M
	5 Meters	CFC-5M



### Low Profile, Solid State, Magnetic Piston Position Sensors

Sensor housing rated NEMA 6/IP67. Encased in plastic housing, dovetail style sensors are corrosion resistant. 60° wire outlet allows close mounting.

1/4" 60° Dovetail shown here.

### Ordering Guide – Magnetic Sensors for Pancake® Cylinders

Model	Cylinder Model	Sensor Type	Prewired 9 ft. Part No.	Quick Disconnect Part No.*	LED	Electrical Characteristics
ø3.8mm	1/2" Bore Pancake	Electronic	9B49-000-031	9B49-000-331	Yes	Sourcing, PNP, 6-24 VDC, 0.20 Amp Max current, 1.0 Voltage Drop
	1/2" Bore Pancake	Electronic	9B49-000-032	9B49-000-332	Yes	Sinking, NPN, 6-24 VDC, 0.20 Amp Max current, 1.0 Voltage Drop
1/4" 60° Dovetail	All other Pancakes	Electronic	949-000-031	949-000-331	Yes	Sourcing, PNP, 5-28 VDC, 0.20 Amp Max current, 1.0 Voltage Drop
	All other Pancakes	Electronic	949-000-032	949-000-332	Yes	Sinking, NPN, 5-28 VDC, 0.20 Amp Max current, 1.0 Voltage Drop

Note\*: 1/2" bore quick disconnect style supplied with 19" pigtail. All other bores supplied with 6" pigtail. Order female cordsets separately.



## Specials

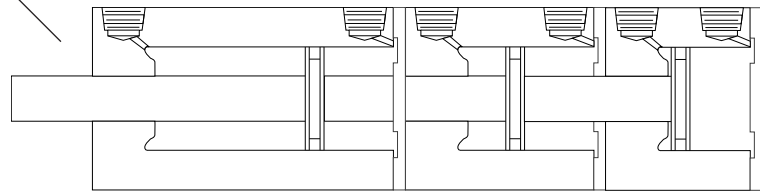
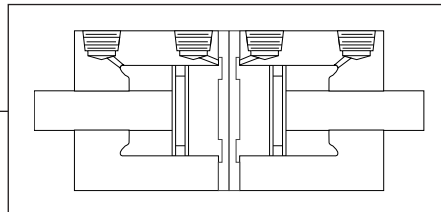
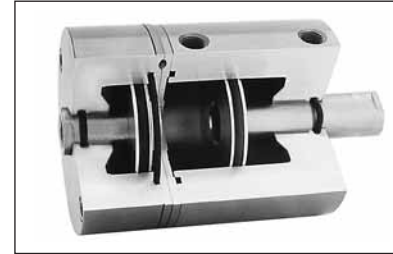
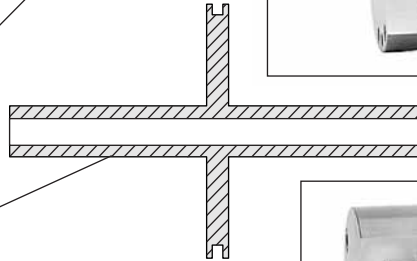
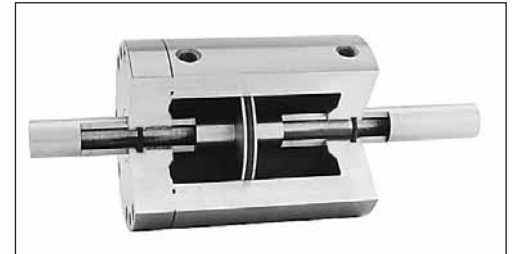
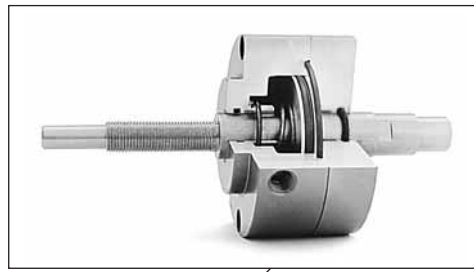
1

### Let us help you!

Our engineering and special products departments are willing and able to assist you with your design. FABCO-AIR will produce cylinders and valves to meet your specific application requirements. In quantities of one and up. We have been doing it for almost 40 years. Many of our specials have become custom options; many have become standard catalog options.

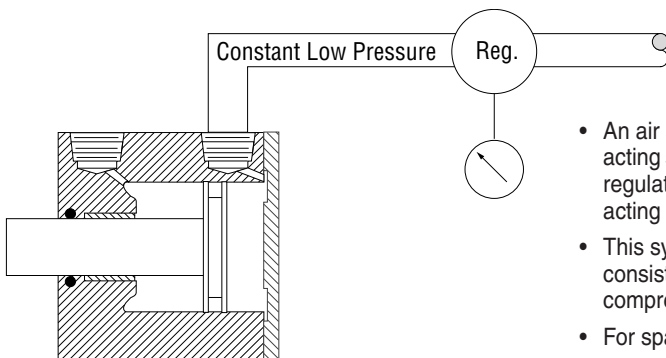
**Custom Options** are modifications that we produce on a routine basis, but they have too many combinations of features for practical listing in this catalog. Following are just a few of the more common of these custom options:

- Custom rod extensions
- Custom rod end configurations
- Pilot diameters on mounting faces
- 1 Piece double rod, piston & rod assembly with or without a hole through
- Rod wipers, urethane or metallic
- Thick covers with ports
- Covers with manifolding
- Other materials
- Other lubricants
- Strokes other than listed with special length bodies and rods
- Mounting styles & dimensions to specifications
- Back-to-Back cylinders for 3 or 4 positions
- Multiple position cylinders—  
Tandem type for 3 or more positions



## Air Springs

- Small regulator supplies constant pressure & controls spring force.
- Connection to Rod End Port results in a spring retracted type cylinder
- Connection to Cap End Port results in a spring extended type cylinder



- An air spring allows the use of any standard double acting cylinder as a single acting spring return (push or pull) type. To accomplish this simply connect a constant regulated pressure (must be a relieving regulator) to the proper port of the double acting cylinder.
- This system gives you a variable spring load (by adjusting the pressure) that is consistent over the full stroke and life of the cylinder and will not break as helical compression springs often do.
- For space and cost savings, one regulator can serve several cylinders on the same machine.

1.15

## Flow Controls

**Port Mounted, Swivel: Brass or Molded Body**  
Mounts directly to Cylinder, Valve or Manifold.



**Brass Body Style (above)**  
Male Sizes: #10-32, 1/8 NPT, 1/4 NPT  
Female NPT or Instant Tube Connections:  
#10-32, 1/8 NPT, 1/4 NPT, 5/32" T, 1/4" T, 3/8" T  
See page 12.3 & 12.4 for details.



**Molded Body Style (left)**  
Male Sizes: #10-32, 1/8 NPT, 1/4 NPT, 3/8 NPT  
Instant Tube Connections: 5/32" T, 1/4" T, 3/8" T  
See page 12.3 for details.

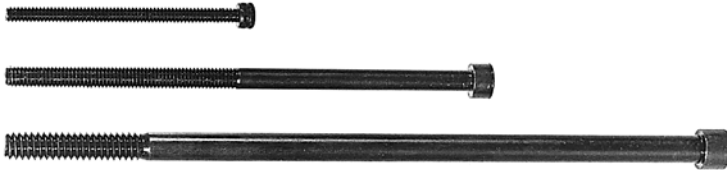
## Position Sensors

**Dovetail Style, Low Profile, Solid State Electronic**  
Sensor dovetail slides into a mating slot on the cylinder body, is positioned as desired, and locked in place with a set screw.  
See page 1.14 for Specifications



## Bolts

**Pancake® Cylinder Mounting Bolts**  
Fabco-Air has in stock socket head cap screws to mount all standard **Pancake®** cylinders, all bores, all strokes.  
Also consider for **Square1®** and other products.



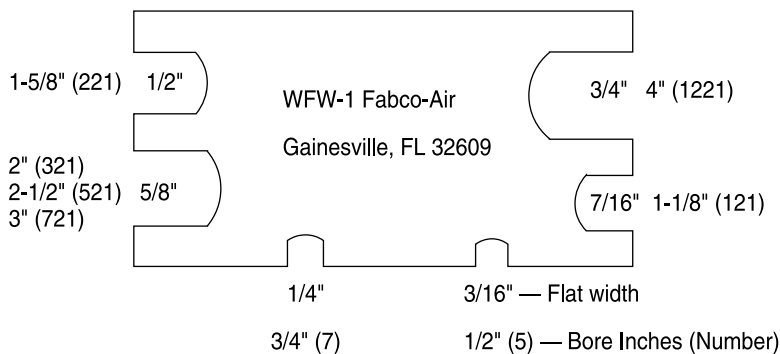
SIZE	LENGTH (Inches)															
	1/2	3/4	1	1-1/4	1-1/2	1-3/4	2	2-1/4	2-1/2	2-3/4	3	3-1/2	4	4-1/2	5	6
#6-32		✓	✓		✓	✓	✓									
#8-32	✓	✓	✓													
#10-32		✓	✓	✓	✓	✓	✓		✓		✓	✓	✓	✓	✓	✓
1/4-20			✓	✓	✓	✓	✓	✓	✓	✓	✓	✓	✓	✓	✓	✓

## Wrench Flat Wrench

Part Number **WFW-1**

0.09" Thick, heat treated and plated steel wrench for holding the piston rod of **Pancake®** cylinders while tightening or loosening rod end tooling or attachments.

Also consider for **Square1®** and other products.



1

**Model Number Code**

Prefix Options

Leave blank if none desired

Stroke

Bore

Action

Metric	M
See pages 1.7, 1.19 & 1.22	

Bore	Code
1/2"	5
12.7mm	5

Standard Strokes			
Original Series			
Action	X	O	OP
	XDR	ODR	OP
Stroke			
1/16	A	A	A
1/8	B	B	B
1/4	C	C	C
3/8	D	D	D
1/2	E	E	E
5/8	F	F	-
3/4	G	G	-
1	H	H	-
1 1/4	I	I	-
1 1/2	J	J	-
2	K	K	-
3	L	-	-
4	M	-	-

"T" Series Includes PTFE piston bearing			
Action	X	O	OP
	X	O	OP
Stroke			
1/8	TC	TC	TC
1/4	TD	TD	TD
3/8	TE	TE	TE
1/2	TF	TF	-
5/8	TG	TG	-
1	TH	TH	-
1 1/4	TI	TI	-
1 1/2	TJ	TJ	-
2	TK	TK	-
3	TL	-	-
4	TM	-	-

Grey shading indicates sensors are not available.

Strokes are **NOT** affected by magnetic piston Option "E"

Action	
<b>Single rod</b>	
Double acting	-X
Single acting, spring retracted	-O
Single acting, spring extended	-OP
<b>Double rod</b>	
Double acting	-XDR
Single acting, spring retracted	-ODR
See pages 1.5 & 1.6 for Action Information. See pages 1.18 & 1.21 for Standard Specifications	

Suffix Options	
Male rod thread: Single rod	-MR
Double rod, rod end	-MR
Double rod, cap end	-MR1
Double rod, both ends	-MR2
Viton seals	-V
Quad seals	-Q
External nonrotating guide	-K
Hex rod nonrotating, single acting models to 2" stroke only	-NR
Hole thru double rod shaft : 1/16" hole 150 psi max	-06
Finish: ProCoat™ (Electroless Nickel)	-N
Stroke collar:	
1/4"	-C2
3/8"	-C3
1/2"	-C4
5/8"	-C5
3/4"	-C6
7/8"	-C7
Rubber Bumpers:	
Rod end	-BF
Cap end	-BR
Both ends	-BFR
Adjustable retract stroke (Over 1" adjustment add desired length, e.g. -RS2)	-RS
Clevis mount:	
Ports in-line with slot	-PM
Ports 90° to slot	-SM
Eye mount:	
Ports in-line with tang	-EPM
Ports 90° to tang	-ESM
Threaded nose mount: Single rod	-F
Double rod, rod end	-F
Double rod, cap end	-F1
Double rod, both ends	-F2
Magnetic piston & sensor mounting slot(s)	-E
Order sensors separately. See page 1.14 Stroke length determines number of mounting slots. See page 1.14, 1.20, 1.21.	
See pages 1.7 – 1.15 for general option information and pages 1.19, 1.20 & 1.22 for option specifications of 1/2" bore models.	

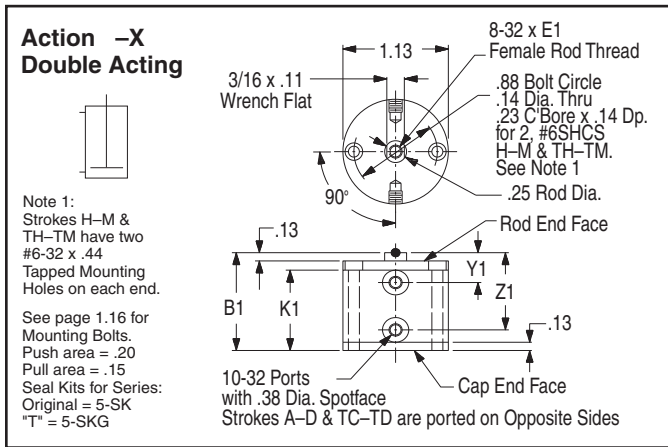
### HOW TO ORDER

- Under **Stroke** – select letter(s) for desired Series and Stroke.
  - Under **Bore** – select 5 for 1/2" bore.  
**Seven Other Bore Sizes are Available**
- | Bore   | Bore Code | See page |
|--------|-----------|----------|
| 3/4"   | 7         | 1.23     |
| 1 1/4" | 121       | 1.29     |
| 1 5/8" | 221       | 1.35     |
| 2"     | 321       | 1.41     |
| 2 1/2" | 521       | 1.47     |
| 3"     | 721       | 1.53     |
| 4"     | 1221      | 1.59     |
- Under **Action** – select letter(s) for desired action.
  - Under **Prefix & Suffix Options** – select letter(s) for desired options and add to model number.

### EXAMPLES

- E-5-X**  
Original Series, 1/2" stroke - 1/2" Bore - Single Rod, Double Acting
- TE-5-X-MR**  
"T" Series, 3/8" Stroke - 1/2" Bore - Single Rod, Double Acting - Male Rod Thread

A complete library of cylinder CAD drawings is available from your local Fabco-Air Distributor or from the Fabco-Air web site – <http://www.fabco-air.com>



For  
**Single Rod, Double Acting, Nonrotating**  
See Option -K on page 1.20

### Original Series

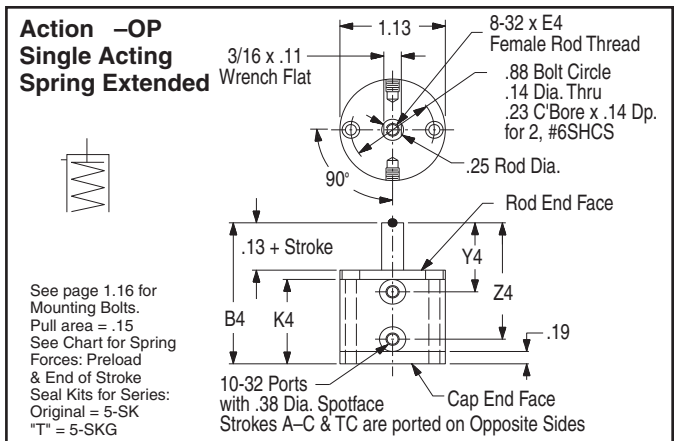
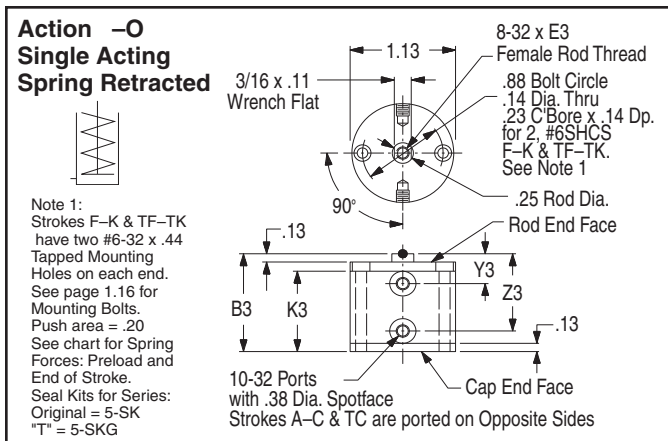
Stroke, Inch	1/16	1/8	1/4	3/8	1/2	5/8	3/4	1	1 1/4	1 1/2	2	3	4	1/8	1/4	3/8	1/2	5/8	1	1 1/4	1 1/2	2	3	4
Stroke, Letter	A	B	C	D	E	F	G	H	I	J	K	L	M	TC	TD	TE	TF	TG	TH	TI	TJ	TK	TL	TM
	<b>Action -X Double Acting</b>													<b>Action -X Double Acting</b>										
B1	.83	.83	.96	1.08	1.21	1.36	1.49	1.83	2.08	2.33	2.96	3.96	4.96	.96	1.08	1.21	1.36	1.49	1.83	2.08	2.33	2.96	3.96	4.96
E1	.25	.25	.25	.38	.38	.38	.38	.38	.38	.38	.38	.38	.38	.25	.38	.38	.38	.38	.38	.38	.38	.38	.38	.38
K1	.56	.56	.69	.81	.94	1.09	1.22	Note 1	Note 1	Note 1	Note 1	Note 1	Note 1	.69	.81	.94	1.09	1.22	Note 1	Note 1	Note 1	Note 1	Note 1	Note 1
Y1	.46	.46	.46	.46	.46	.46	.46	.46	.46	.46	.55	.55	.55	.46	.46	.46	.46	.46	.46	.46	.46	.55	.55	.55
Z1	.52	.52	.65	.77	.89	1.05	1.18	1.52	1.77	2.02	2.65	3.65	4.65	.65	.77	.89	1.05	1.18	1.52	1.77	2.02	2.65	3.65	4.65
Weight, lb.	.08	.08	.08	.09	.11	.12	.13	.16	.19	.21	.27	.36	.46	.08	.09	.11	.12	.13	.16	.19	.21	.27	.36	.46

### Action -O Single Acting, Spring Retracted

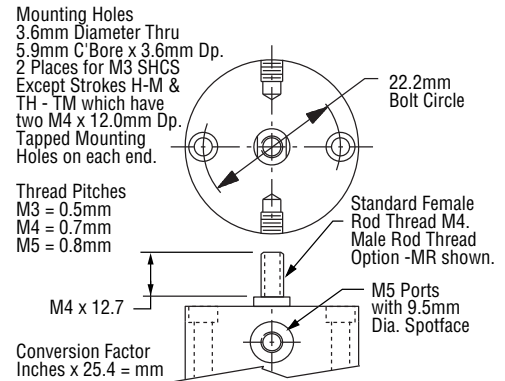
B3	.83	.96	1.08	1.36	1.49	1.83	2.33	2.96	2.96	3.96	3.96	NA*	NA*	1.08	1.36	1.49	1.83	2.33	2.96	2.96	3.96	3.96	NA*	NA*
E3	.25	.25	.38	.38	.38	.38	.38	.38	.38	.38	.38	"	"	.38	.38	.38	.38	.38	.38	.38	.38	.38	"	"
K3	.56	.69	.81	1.09	1.22	Note 1	Note 1	Note 1	Note 1	Note 1	Note 1	"	"	.81	1.09	1.22	Note 1	Note 1	Note 1	Note 1	Note 1	Note 1	"	"
Y3	.46	.46	.46	.46	.46	.46	.46	.55	.55	.55	.55	"	"	.46	.46	.46	.46	.46	.55	.55	.55	.55	"	"
Z3	.52	.65	.77	1.05	1.18	1.52	2.02	2.65	2.65	3.65	3.65	"	"	.77	1.05	1.18	1.52	2.02	2.65	2.65	3.65	3.65	"	"
Weight, lb.	.08	.09	.10	.12	.13	.16	.22	.28	.28	.37	.37	"	"	.08	.09	.10	.12	.13	.16	.22	.28	.28	"	"
Preload, lb.	2.0	2.0	.9	1.2	.7	1.9	1.2	1.0	1.7	1.3	1.3	"	"	2.8	2.0	1.2	1.9	1.9	1.0	1.7	1.3	1.3	"	"
End of Stroke, lb.	3.2	3.2	3.2	3.2	3.2	3.5	3.2	3.5	5.7	5.3	6.7	"	"	3.2	3.2	3.2	3.5	3.5	5.7	5.3	5.3	"	"	

### Action -OP Single Acting, Spring Extended

B4	.95	1.16	1.39	1.80	2.05	NA*	NA*	NA*	NA*	NA*	NA*	NA*	NA*	1.26	1.67	1.92	NA*	NA*	NA*	NA*	NA*	NA*	NA*	NA*
E4	.25	.25	.25	.38	.38	"	"	"	"	"	"	"	"	.25	.25	.38	"	"	"	"	"	"	"	"
K4	.63	.77	.88	1.16	1.29	"	"	"	"	"	"	"	"	.88	1.16	1.29	"	"	"	"	"	"	"	"
Y4	.52	.58	.71	.83	.96	"	"	"	"	"	"	"	"	.58	.70	.83	"	"	"	"	"	"	"	"
Z4	.64	.85	1.08	1.49	1.74	"	"	"	"	"	"	"	"	.95	1.36	1.61	"	"	"	"	"	"	"	"
Weight, lb.	.08	.09	.12	.13	.14	"	"	"	"	"	"	"	"	.08	.09	.12	"	"	"	"	"	"	"	"
Preload, lb.	1.7	1.7	.7	1.2	.7	"	"	"	"	"	"	"	"	1.7	1.7	.7	"	"	"	"	"	"	"	"
End of Stroke, lb.	3.0	3.0	3.0	3.2	3.2	"	"	"	"	"	"	"	"	3.0	3.0	3.0	"	"	"	"	"	"	"	"



**Prefix Option -M Metric Cylinder & Rod Thread, 12.7mm Bore**  
Available on Original and "T" Series with Actions: -X, -O, -OP  
Also see *Option Information* on page 1.7.



**Original Series**

Stroke mm	1.6	3.2	6.4	9.5	12.7	15.9	19.1	25.4	31.8	38.1	50.8	76.2	101.6
Stroke Letter	A	B	C	D	E	F	G	H	I	J	K	L	M

**"T" Series**

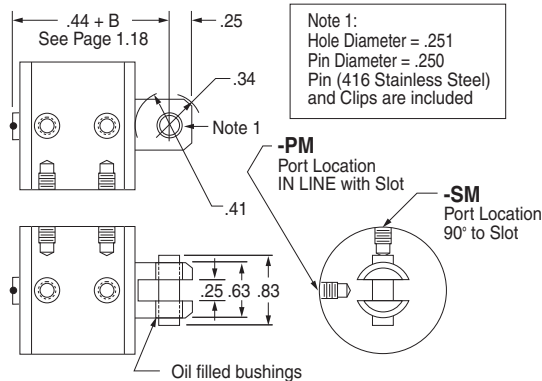
Stroke mm	3.2	6.4	9.5	12.7	15.9	25.4	31.8	38.1	50.8	76.2	101.6
Stroke Letter	TC	TD	TE	TF	TG	TH	TI	TJ	TK	TL	TM

The **Suffix Options** charted on the right are available on Original & "T" Series with the Actions indicated (✓). They require no dimensional changes from the Standard Specifications on page 1.18. – Also see *Option Information* on pages 1.7 thru 1.15.

	V	Q	N	C1-C7	BF	BR	BFR
-X	✓	✓	✓	✓	✓	✓	✓
-O	✓	✓	✓	✓	NA	✓	NA
-OP	✓	✓	✓	✓	✓	NA	NA

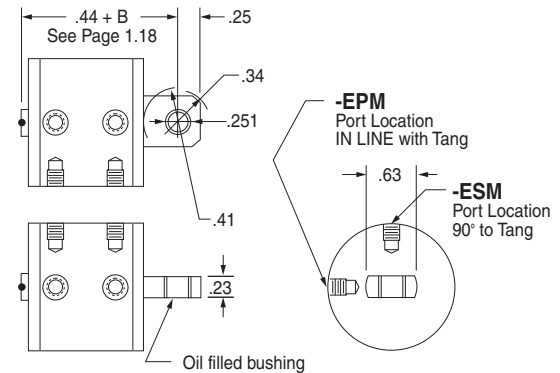
**Suffix Options -PM & -SM Clevis Mount**

Available on Original and "T" Series with Actions: -X, -O, -OP  
Also see *Option Information* on page 1.13.



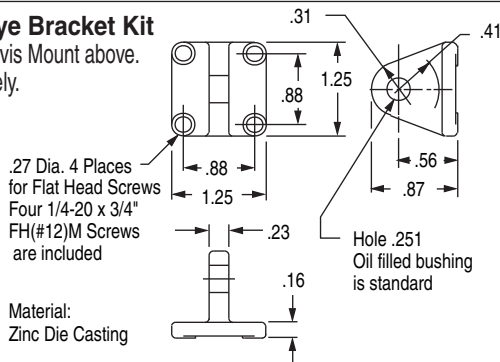
**Suffix Options -EPM & -ESM Eye Mount**

Available on Original and "T" Series with Actions: -X, -O, -OP  
Also see *Option Information* on page 1.13.



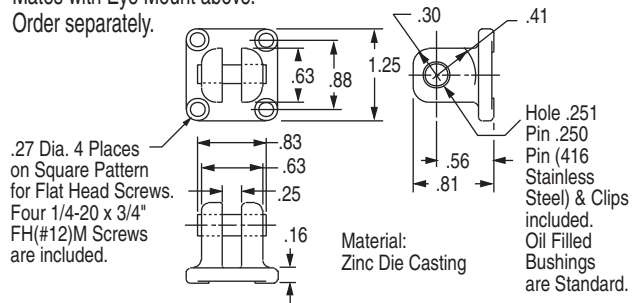
**EM-04 Eye Bracket Kit**

Mates with Clevis Mount above. Order separately.



**PM-04 Clevis Bracket Kit**

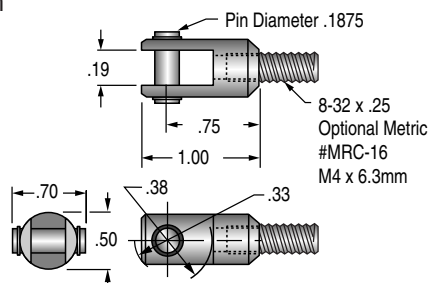
Mates with Eye Mount above. Order separately.



**RC-16 Rod Clevis and Pin**

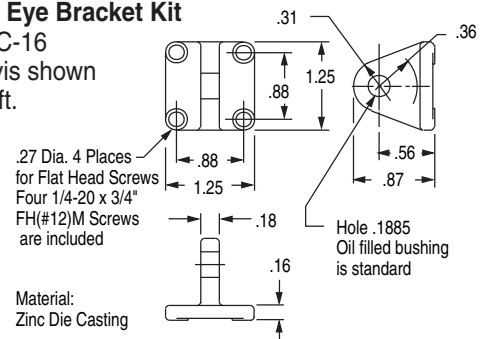
Threaded Stud mates with Female Rod thread in **Pancake®** Cylinders. Slot & Pin Mate with EM-02 Eye Bracket shown on the right.

Materials:  
Clevis – Steel, Black Oxide  
Stud – Steel  
Pin – 416 Stainless Steel  
Pin & Clips are included



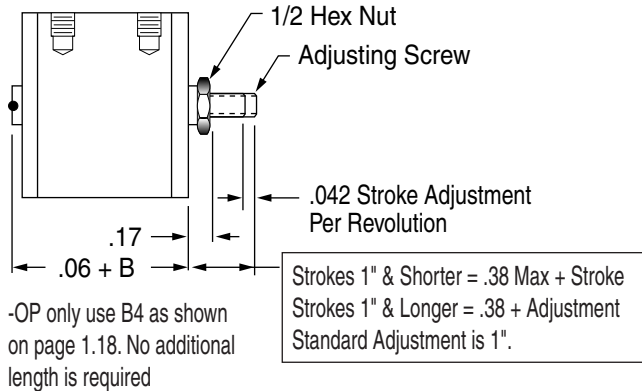
**EM-02 Eye Bracket Kit**

Mates RC-16 Rod Clevis shown on the left.



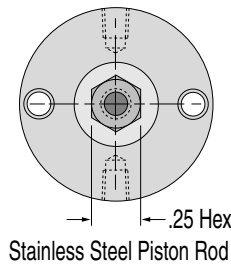


**Suffix Option -RS Adjustable Retract Stroke**  
Available on Original and "T" Series with Actions -X, -O, -OP.  
Also see Option Information on page 1.11



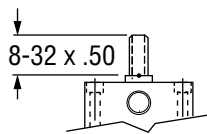
**Suffix Option -NR Nonrotating, Single Acting**

Available on Original and "T" Series with Action -O.  
Also see Option Information on page 1.8

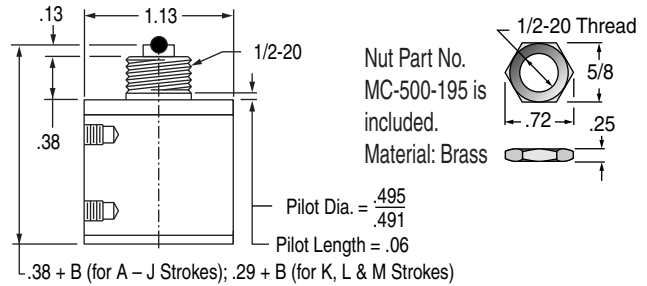


**Suffix Option -MR Male Rod Thread**

Available on Original and "T" Series with Actions -X, -O, -OP.  
Also see Option Information on page 1.8



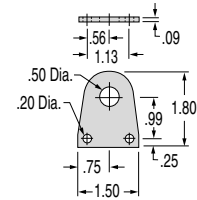
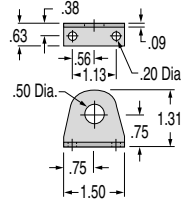
**Suffix Option -F Threaded Nose Mount**  
Available on Original and "T" Series with Actions -X, -O, -OP.  
Also see Option Information on page 1.13



**Accessory - Plated steel nose mounting brackets**  
Must be ordered separately

Angled Part Number **BRK-201**

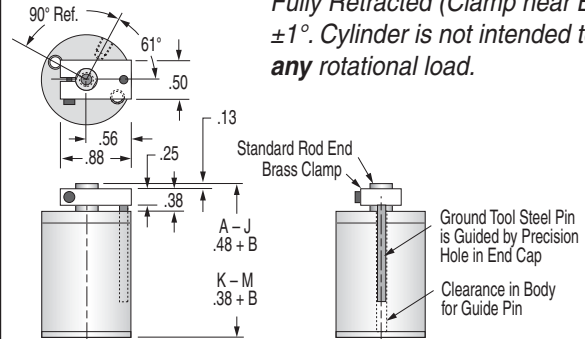
Flat Part Number **BRK-202**



**Suffix Option -K Nonrotating, Double Acting**

Available on Original and "T" Series with Action -X, -O, -OP.

Rotational Tolerance with Piston Rod Fully Retracted (Clamp near Body) is  $\pm 1^\circ$ . Cylinder is not intended to carry any rotational load.



**Suffix Option -E Specifies Magnetic Piston and Dovetail Mounting Slot(s)**

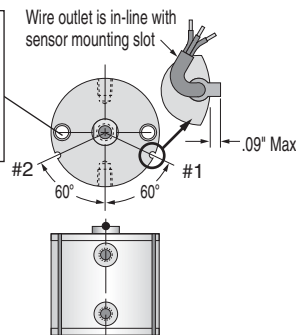
Strokes are NOT affected by Magnetic Piston Option

**- Sensors Must be Ordered Separately**  
See Sensor Models Available page 1.14

**1/2" (5) Bore**

Sensors available for "D" & "TD" strokes and longer. Strokes D & TD are ported on opposite sides.

**Note:**  
Alloy steel mounting bolts may effect sensing. Stainless steel or other nonmagnetic bolts are recommended.



Profile of Sensor & Keyway Slot. Wire is in line with slot.

**Quick Reference to Standard Strokes**

Use the appropriate Stroke Letter in the Model Number

Available on Original Series

Available on "T" Series

Stroke	Action	Stroke	Action
3/8-----	D	1/4-----	TD
1/2-----	E	3/8-----	TE
5/8-----	F	1/2-----	TF
3/4-----	G	5/8-----	TG
1-----	H	1-----	TH
1 1/4-----	I	1 1/4-----	TI
1 1/2-----	J	1 1/2-----	TJ
2-----	K	2-----	TK
3-----	L	3-----	TL
4-----	M	4-----	TM

Sensor Slots at Positions #1 and #2

Sensor Slot at Position #1 only



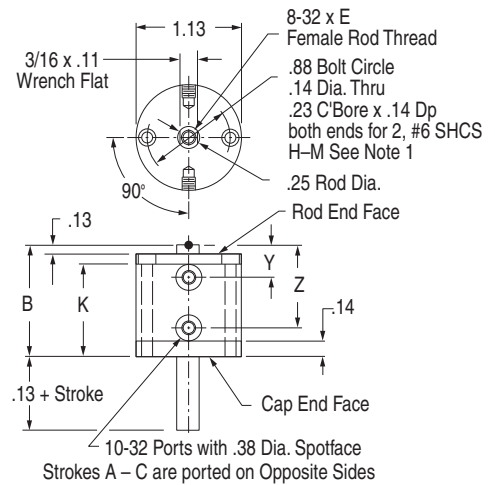
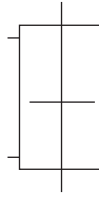
1

### Action –XDR Original Series Double Rod, Double Acting

**Note 1:**

Strokes H – M have two #6-32 x .44 Tapped Mounting Holes on each end.

See page 1.16 for Mounting Bolts  
Force Area = .15  
Seal Kit = 5-SK



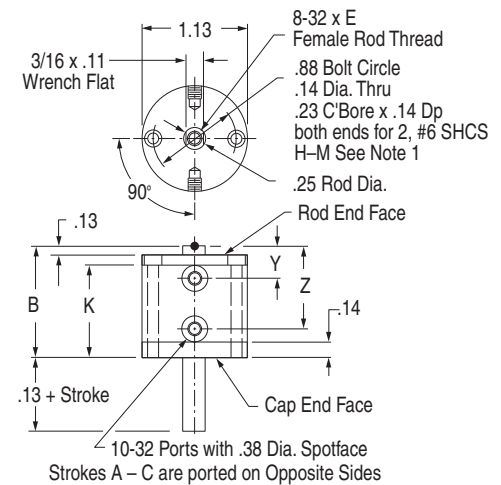
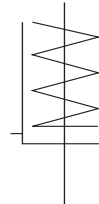
Stroke, Inches	1/16	1/8	1/4	3/8	1/2	5/8	3/4	1	1-1/4	1-1/2	2	3	4
Stroke, Letter	A	B	C	D	E	F	G	H	I	J	K	L	M
B	1.00	1.00	1.13	1.25	1.38	1.50	1.63	1.88	2.13	2.38	2.88	3.88	4.88
E	.25	.25	.25	.38	.38	.38	.38	.38	.38	.38	.38	.38	.38
K	.73	.73	.86	.98	1.11	1.23	1.36	Note 1	Note 1	Note 1	Note 1	Note 1	Note 1
Y	.46	.46	.46	.46	.46	.46	.46	.46	.46	.46	.46	.46	.46
Z	.67	.67	.80	.92	1.05	1.17	1.30	1.55	1.80	2.05	2.55	3.55	4.55
Weight, lb.	.09	.10	.11	.12	.13	.14	.16	.18	.21	.24	.31	.41	.52

### Action –ODR Original Series Double Rod, Single Acting, Spring Retracted

**Note 1:**

Strokes F – K have two #6-32 x .44 Tapped Mounting Holes on each end.

See page 1.16 for Mounting Bolts  
Force Area = .15  
Seal Kit = 5-SK

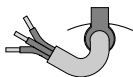


Stroke, Inches	1/16	1/8	1/4	3/8	1/2	5/8	3/4	1	1 1/4	1 1/2	2
Stroke, Letter	A	B	C	D	E	F	G	H	I	J	K
B	1.00	1.13	1.25	1.55	1.67	1.88	2.38	2.88	2.88	3.88	3.88
E	.25	.25	.25	.38	.38	.38	.38	.38	.38	.38	.38
K	.73	.86	.98	1.28	1.40	Note 1	Note 1	Note 1	Note 1	Note 1	Note 1
Y	.46	.46	.46	.46	.46	.46	.46	.46	.46	.46	.46
Z	.67	.80	.92	1.22	1.34	1.55	2.05	2.55	2.55	3.55	3.55
Weight, lb.	.09	.10	.13	.15	.16	.19	.24	.30	.30	.40	.40
Spring Return											
Preload	2.0	2.0	0.9	1.2	0.7	1.9	1.2	1.0	1.7	1.3	1.3
End of Stroke	3.2	3.2	3.2	3.2	3.2	3.5	3.2	3.5	5.9	5.3	6.7

### Suffix Option -E Specifies Magnetic Piston and Dovetail Mounting Slot(s) Strokes are NOT affected by Magnetic Piston Option

**– Sensors Must be Ordered Separately  
See Sensor Models Available page 1.14**

**Note:**  
Alloy steel mounting bolts may effect sensing. Stainless steel or other non-magnetic bolts are recommended.

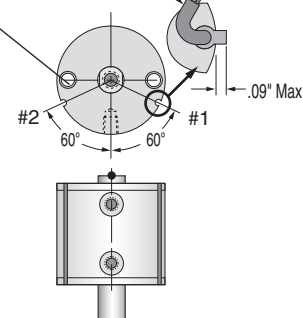


Profile of Sensor & Keyway Slot. Wire is in line with slot.

#### 1/2" (5) Bore

Sensors available for "D" strokes and longer.

Wire outlet is in-line with sensor mounting slot



**Quick Reference to Standard Strokes**  
Use the appropriate Stroke Letter in the Model Number

#### Available on Original Series

Stroke	Action XDR
3/8	D
1/2	E
5/8	F
3/4	G
1	H
1 1/4	I
1 1/2	J
2	K
3	L
4	M

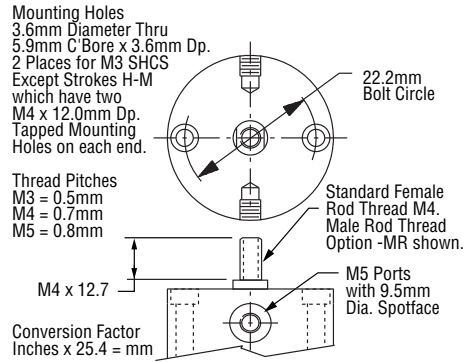
Sensor Slots at Positions #1 and #2

Sensor Slot at Position #1 only

### Prefix Option -M Metric Cylinder & Rod Thread, 12.7mm Bore

Available on Original Series with Actions: -XDR, -ODR  
Also see *Option Information* on page 1.7.

Stroke mm	1.6	3.2	6.4	9.5	12.7	15.9	19.1	25.4	31.8	38.1	50.8	76.2	101.6
Stroke Letter	A	B	C	D	E	F	G	H	I	J	K	L	M



The **Suffix Options** charted on the right are available on Original Series with the Actions indicated (✓). They require no dimensional changes from the Standard Specifications on page 1.21. – Also see *Option Information* on pages 1.7 thru 1.15.

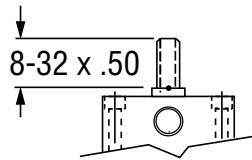
	V	Q	N	C1-C7	BF	BR	BFR	06
-XDR	✓	✓	✓	✓	✓	✓	✓	✓
-ODR	✓	✓	✓	✓	NA	✓	NA	✓

### Suffix Option -MR, -MR1, -MR2 Male Rod Thread

Available on Original Series with  
Actions -XDR, -ODR.

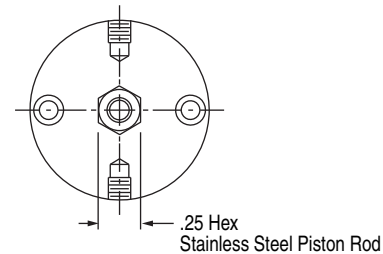
For Rod End only use -MR  
For Cap End only use -MR1  
For Both Ends use -MR2

Also see  
*Option Information*  
on Page 1.8



### Suffix Option -NR Nonrotating, Single Acting

Available on Original Series with Action -ODR  
Also see *Option Information* on page 1.8.



### Suffix Option -F, -F1, -F2 Threaded Nose Mount (See info page 1.13)

Available on Original Series with Actions -XDR, -ODR.

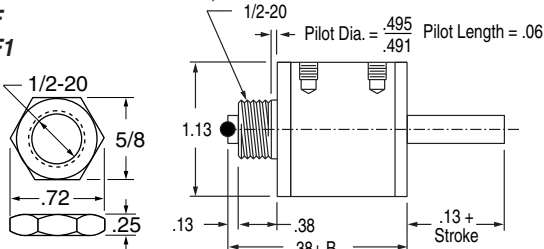
For Rod End only use -F

For Cap End only use -F1

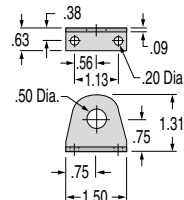
For Both Ends use -F2

#### Nut.

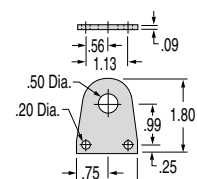
Part No. MC-500-195  
is included.  
Material: Brass



### Accessory Nose Mounting Brackets Order separately – Material Plated Steel



Part No: BRK-201



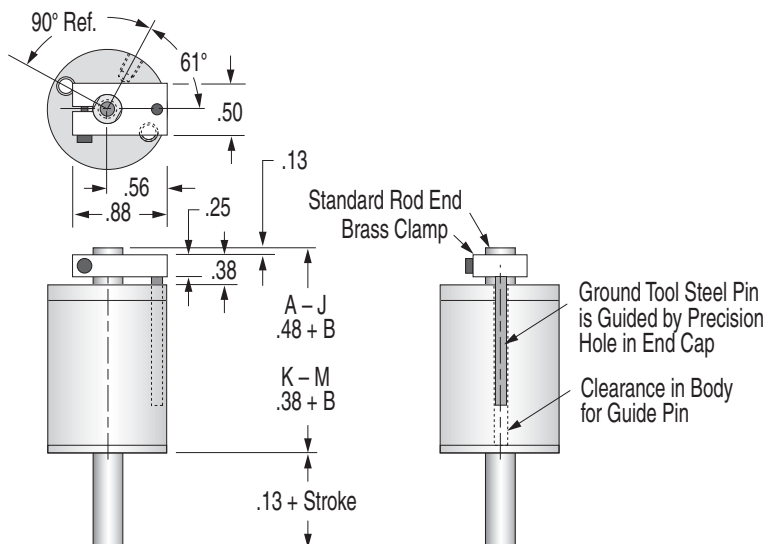
Part No: BRK-202

### Suffix Option -K Nonrotating, Double Acting

Available on Original Series  
with Actions: -XDR, -ODR.

Rotational Tolerance with Piston Rod  
Fully Retracted (Clamp near Body) is  $\pm 1^\circ$ .

Cylinder is not intended to carry **any** rota-  
tional load.



1

**Model Number Code**

Leave blank if none desired



**Metric M**  
See pages 1.7, 1.25, 1.28

**Bore Code**  
3/4" 7  
19.1mm 7

**Standard Strokes**  
Note 1: For action XK strokes A – G are decreased by 1/8" from those shown (Original Series only).  
Note 2: For action XDRK strokes A – M are decreased by 1/8" from those shown (Original Series only).

Original Series			
Action	X XK <sup>1</sup> XDR XDRK <sup>2</sup>	O ODR	OP
Stroke			
1/16	A	A	A
1/8	B	B	B
1/4	C	C	C
3/8	D	D	D
1/2	E	E	E
5/8	F	F	-
3/4	G	G	-
1	H	H	-
1 1/4	I	I	-
1 1/2	J	J	-
2	K	K	-
3	L	-	-
4	M	-	-

**"T" Series**  
Includes PTFE piston bearing

Action	X, XK	O	OP
Stroke			
1/8	TC	TC	TC
1/4	TD	TD	TD
3/8	TE	TE	TE
1/2	TF	TF	-
5/8	TG	TG	-
1	TH	TH	-
1 1/4	TI	TI	-
1 1/2	TJ	TJ	-
2	TK	TK	-
3	TL	-	-
4	TM	-	-

Grey shading indicates sensors are not available.  
Strokes are NOT affected by magnetic piston Option "E"

**Action**

<b>Single rod</b>	
Double acting	-X
Double acting, Nonrotating 150 psi max	-XK
Single acting, spring retracted	-O
Single acting, spring extended	-OP
<b>Double rod</b>	
Double acting	-XDR
Double acting, Nonrotating 150 psi max	-XDRK
Single acting, spring retracted	-ODR

See pages 1.5 & 1.6 for Action Information.  
See pages 1.24 & 1.27 for Standard Specifications

**Suffix Options**

Male rod thread: Single rod	-MR
Double rod, rod end	-MR
Double rod, cap end	-MR1
Double rod, both ends	-MR2
Viton seals	-V
Quad seals	-Q
External guide, nonrotating for load guiding (See page 1.65)	-G
Hex rod nonrotating, single acting models to 2" stroke only	-NR
Hole thru double rod shaft : 1/16" hole 150 psi max	-O6
Finish: ProCoat™ (Electroless Nickel)	-N
Stroke collar:	
1/4"	-C2
3/8"	-C3
1/2"	-C4
5/8"	-C5
3/4"	-C6
7/8"	-C7
Rubber Bumpers:	
Rod end	-BF
Cap end	-BR
Both ends	-BFR
Adjustable retract stroke (Over 1" adjustment add desired length, e.g. -RS2)	-RS
Clevis mount:	
Ports in-line with slot	-PM
Ports 90° to slot	-SM
Eye mount:	
Ports in-line with tang	-EPM
Ports 90° to tang	-ESM
Threaded nose mount: Single rod	-F
Double rod, rod end	-F
Double rod, cap end	-F1
Double rod, both ends	-F2
Magnetic piston & sensor mounting slot(s) Order sensors separately. See page 1.14. Stroke length determines number of mounting slots. See page 1.14, 1.26, or 1.28.	-E

See pages 1.7 – 1.15 for general option information and pages 1.25, 1.26 & 1.28 for option specifications of 3/4" bore models.

**HOW TO ORDER**

- Under **Stroke** – select letter(s) for desired Series and Stroke.
- Under **Bore** – select 7 for 3/4" bore.

**Seven Other Bore Sizes are Available**

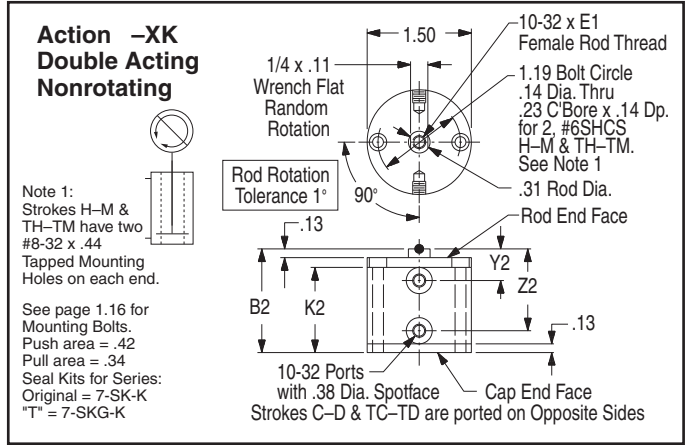
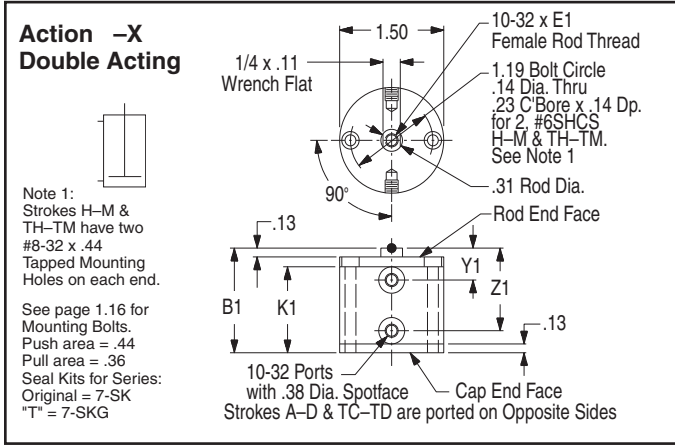
Bore	Bore Code	See page
1/2"	5	1.17
1 1/8"	121	1.29
1 5/8"	221	1.35
2"	321	1.41
2 1/2"	521	1.47
3"	721	1.53
4"	1221	1.59

- Under **Action** – select letter(s) for desired action.
- Under **Prefix & Suffix Options** – select letter(s) for desired options and add to model number.

**EXAMPLES**

- E-7-X**  
Original Series, 1/2" stroke - 3/4" Bore - Single Rod, Double Acting
- TE-7-X-MR**  
"T" Series, 3/8" Stroke - 3/4" Bore - Single Rod, Double Acting - Male Rod Thread

A complete library of cylinder CAD drawings is available from your local Fabco-Air Distributor or from the Fabco-Air web site – <http://www.fabco-air.com>



### Original Series

Stroke, Inch	1/16	1/8	1/4	3/8	1/2	5/8	3/4	1	1 1/4	1 1/2	2	3	4
Stroke, Letter	A	B	C	D	E	F	G	H	I	J	K	L	M
		<b>Action -X Double Acting</b>											
B1	.83	.83	.96	1.08	1.21	1.36	1.49	1.83	2.08	2.33	2.96	3.96	4.96
E1	.25	.25	.25	.38	.38	.38	.38	.38	.38	.38	.38	.38	.38
K1	.56	.56	.69	.81	.94	1.09	1.22	Note 1	Note 1	Note 1	Note 1	Note 1	Note 1
Y1	.46	.46	.46	.46	.46	.46	.46	.46	.46	.46	.55	.55	.55
Z1	.52	.52	.65	.77	.89	1.05	1.18	1.52	1.77	2.02	2.65	3.65	4.65
Weight, lb.	.14	.14	.15	.17	.20	.21	.23	.28	.32	.36	.46	.63	.78

### "T" Series

Stroke, Inch	1/8	1/4	3/8	1/2	5/8	1	1 1/4	1 1/2	2	3	4
Stroke, Letter	TC	TD	TE	TF	TG	TH	TI	TJ	TK	TL	TM
		<b>Action -X Double Acting</b>									
B2	.96	1.08	1.21	1.36	1.49	1.83	2.08	2.33	2.96	3.96	4.96
E2	.25	.38	.38	.38	.38	.38	.38	.38	.38	.38	.38
K2	.69	.81	.94	1.09	1.22	Note 1	Note 1	Note 1	Note 1	Note 1	Note 1
Y2	.46	.46	.46	.46	.46	.46	.46	.46	.55	.55	.55
Z2	.65	.77	.89	1.05	1.18	1.52	1.77	2.02	2.65	3.65	4.65
Weight, lb.	.15	.17	.20	.21	.23	.28	.32	.36	.46	.63	.78

### Action -XK Double Acting, Nonrotating

Stroke, Inch	1/8	1/4	3/8	1/2	5/8	1	1 1/4	1 1/2	2	3	4
Stroke, Letter	C	D	E	F	G	H	I	J	K	L	M
Use Strokes & Dimensions under "T" Series Action -XK Double Acting											

### Action -XK Double Acting, Nonrotating

Stroke, Inch	1/8	1/4	3/8	1/2	5/8	1	1 1/4	1 1/2	2	3	4
Stroke, Letter	TC	TD	TE	TF	TG	TH	TI	TJ	TK	TL	TM
B2	.96	1.08	1.21	1.36	1.49	1.83	2.08	2.33	2.96	3.96	4.96
E2	.25	.38	.38	.38	.38	.38	.38	.38	.38	.38	.38
K2	.69	.81	.94	1.09	1.22	Note 1	Note 1	Note 1	Note 1	Note 1	Note 1
Y2	.46	.46	.46	.46	.46	.46	.46	.46	.55	.55	.55
Z2	.65	.77	.89	1.05	1.18	1.52	1.77	2.02	2.65	3.65	4.65
Weight, lb.	.15	.18	.21	.22	.24	.29	.33	.37	.48	.65	.81

### Action -O Single Acting, Spring Retracted

Stroke, Inch	1/8	1/4	3/8	1/2	5/8	1	1 1/4	1 1/2	2	3	4
Stroke, Letter	NA*	NA*	NA*	NA*	NA*	NA*	NA*	NA*	NA*	NA*	NA*
B3	.83	.96	1.08	1.36	1.49	1.83	2.33	2.96	2.96	3.96	3.96
E3	.25	.25	.38	.38	.38	.38	.38	.38	.38	.38	.38
K3	.56	.69	.81	1.09	1.22	Note 1	Note 1	Note 1	Note 1	Note 1	Note 1
Y3	.46	.46	.46	.46	.46	.55	.55	.55	.55	.55	.55
Z3	.52	.65	.77	1.05	1.18	1.52	2.02	2.65	2.65	3.65	3.65
Weight, lb.	.14	.16	.18	.22	.23	.28	.36	.46	.46	.63	.63
Preload, lb.	2.0	2.7	1.5	2.5	2.0	2.5	2.5	2.2	1.5	1.3	1.3
End of Stroke, lb.	3.0	4.5	4.5	4.7	4.7	4.8	4.9	5.0	5.3	6.7	6.7

### Action -O Single Acting, Spring Retracted

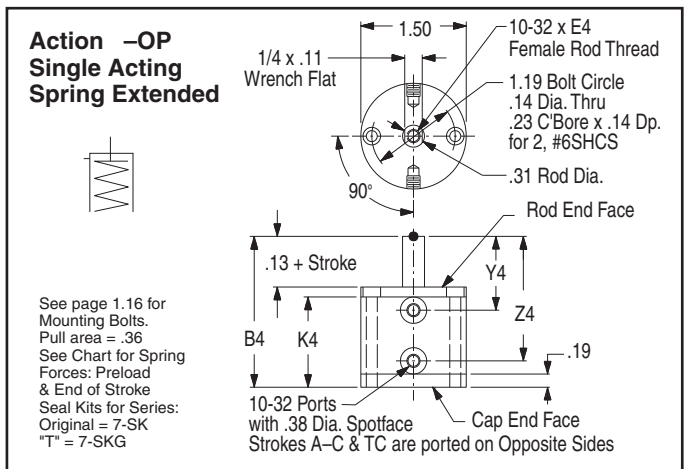
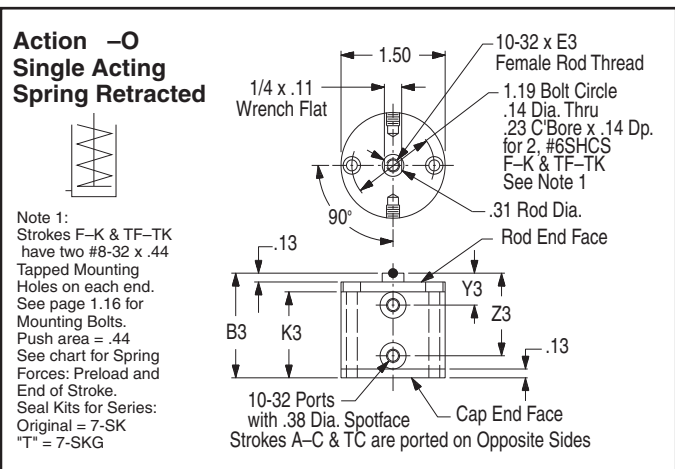
Stroke, Inch	1/8	1/4	3/8	1/2	5/8	1	1 1/4	1 1/2	2	3	4
Stroke, Letter	NA*	NA*	NA*	NA*	NA*	NA*	NA*	NA*	NA*	NA*	NA*
B3	.83	.96	1.08	1.36	1.49	1.83	2.33	2.96	2.96	3.96	3.96
E3	.25	.25	.38	.38	.38	.38	.38	.38	.38	.38	.38
K3	.56	.69	.81	1.09	1.22	Note 1	Note 1	Note 1	Note 1	Note 1	Note 1
Y3	.46	.46	.46	.46	.46	.55	.55	.55	.55	.55	.55
Z3	.52	.65	.77	1.05	1.18	1.52	2.02	2.65	2.65	3.65	3.65
Weight, lb.	.14	.16	.18	.22	.23	.28	.36	.46	.46	.63	.63
Preload, lb.	2.0	2.7	1.5	2.5	2.0	2.5	2.5	2.2	1.5	1.3	1.3
End of Stroke, lb.	3.0	4.5	4.5	4.7	4.7	4.8	4.9	5.0	5.3	6.7	6.7

### Action -OP Single Acting, Spring Extended

Stroke, Inch	1/8	1/4	3/8	1/2	5/8	1	1 1/4	1 1/2	2	3	4
Stroke, Letter	NA*	NA*	NA*	NA*	NA*	NA*	NA*	NA*	NA*	NA*	NA*
B4	.95	1.16	1.39	1.80	2.05	NA*	NA*	NA*	NA*	NA*	NA*
E4	.25	.25	.25	.38	.38	"	"	"	"	"	"
K4	.63	.77	.88	1.16	1.29	"	"	"	"	"	"
Y4	.52	.58	.71	.83	.96	"	"	"	"	"	"
Z4	.64	.85	1.08	1.49	1.74	"	"	"	"	"	"
Weight, lb.	.14	.16	.18	.22	.24	"	"	"	"	"	"
Preload, lb.	2.0	2.7	1.5	2.5	2.0	"	"	"	"	"	"
End of Stroke, lb.	3.0	4.5	4.5	4.7	4.7	"	"	"	"	"	"

### Action -OP Single Acting, Spring Extended

Stroke, Inch	1/8	1/4	3/8	1/2	5/8	1	1 1/4	1 1/2	2	3	4
Stroke, Letter	NA*	NA*	NA*	NA*	NA*	NA*	NA*	NA*	NA*	NA*	NA*
B4	1.26	1.67	1.92	NA*	NA*	NA*	NA*	NA*	NA*	NA*	NA*
E4	.25	.25	.38	"	"	"	"	"	"	"	"
K4	.88	1.16	1.29	"	"	"	"	"	"	"	"
Y4	.58	.70	.83	"	"	"	"	"	"	"	"
Z4	.95	1.36	1.61	"	"	"	"	"	"	"	"
Weight, lb.	.18	.22	.24	"	"	"	"	"	"	"	"
Preload, lb.	1.5	2.5	2.0	"	"	"	"	"	"	"	"
End of Stroke, lb.	4.5	4.8	4.8	"	"	"	"	"	"	"	"

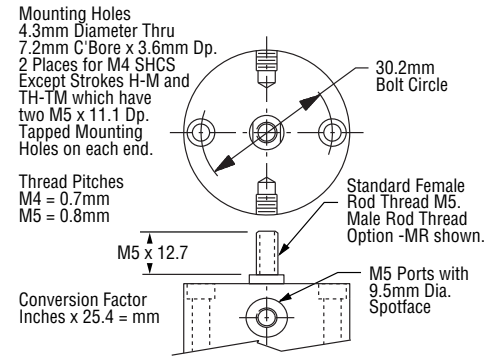


**Prefix Option -M Metric Cylinder & Rod Thread, 19.1mm Bore**  
Available on Original and "T" Series with Actions: -X, -XK, -O, -OP  
Also see *Option Information* on page 1.7.

Original Series													
Stroke mm	1.6	3.2	6.4	9.5	12.7	15.9	19.1	25.4	31.8	38.1	50.8	76.2	101.6
Stroke Letter	A	B	C	D	E	F	G	H	I	J	K	L	M

"T" Series													
Stroke mm	3.2	6.4	9.5	12.7	15.9	25.4	31.8	38.1	50.8	76.2	101.6		
Stroke Letter	TC	TD	TE	TF	TG	TH	TI	TJ	TK	TL	TM		

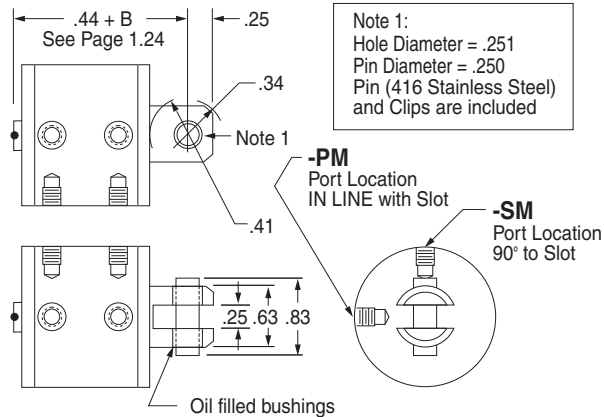


The **Suffix Options** charted on the right are available on Original & "T" Series with the Actions indicated (✓). They require no dimensional changes from the Standard Specifications on page 1.24. – Also see *Option Information* on pages 1.7 thru 1.15.

	V	Q	N	C1-C7	BF	BR	BFR
-X	✓	✓	✓	✓	✓	✓	✓
-XK	✓	✓	✓	✓	NA	✓	NA
-O	✓	✓	✓	✓	✓	✓	NA
-OP	✓	✓	✓	✓	✓	NA	NA

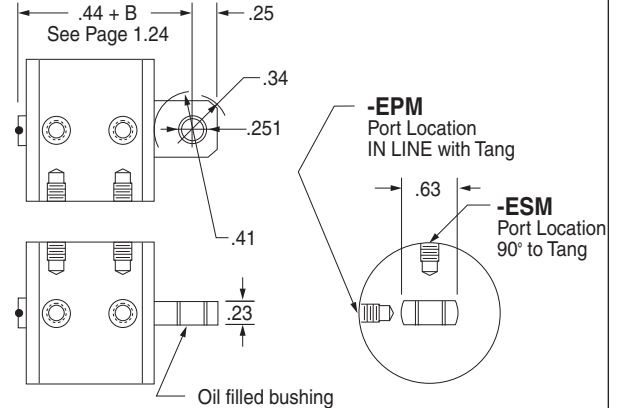
### Suffix Options -PM & -SM Clevis Mount

Available on Original and "T" Series  
with Actions: -X, -XK, -O, -OP  
Also see *Option Information* on page 1.13.



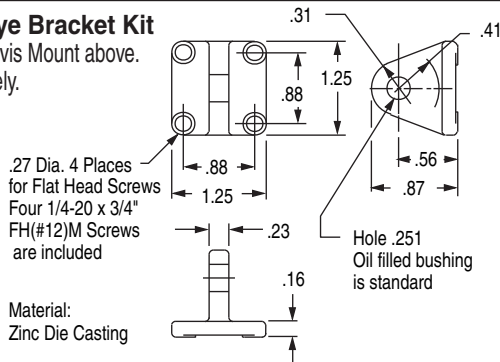
### Suffix Options -EPM & -ESM Eye Mount

Available on Original and "T" Series  
with Actions: -X, -XK, -O, -OP  
Also see *Option Information* on page 1.13.



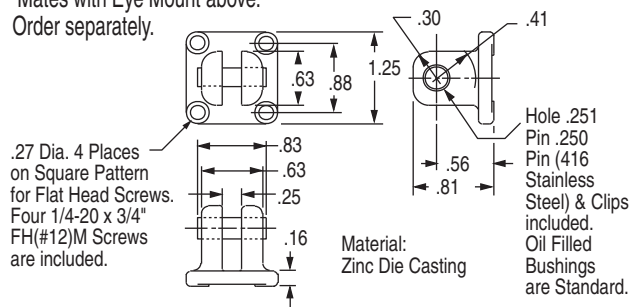
### EM-04 Eye Bracket Kit

Mates with Clevis Mount above.  
Order separately.



### PM-04 Clevis Bracket Kit

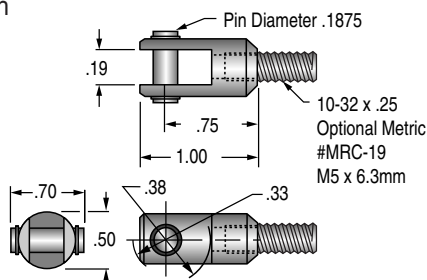
Mates with Eye Mount above.  
Order separately.



### RC-19 Rod Clevis and Pin

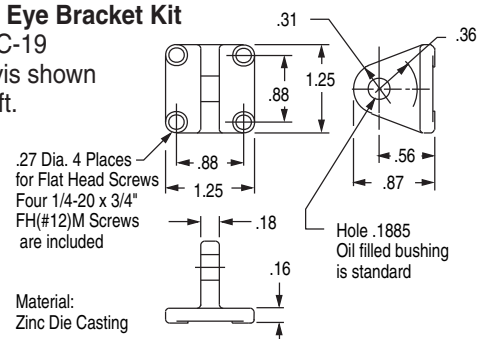
Threaded Stud mates with  
Female Rod thread  
in **Pancake®** Cylinders.  
Slot & Pin Mate with  
EM-02 Eye Bracket  
shown on the right.

Materials:  
Clevis – Steel, Black Oxide  
Stud – Steel  
Pin – 416 Stainless Steel  
Pin & Clips are included



### EM-02 Eye Bracket Kit

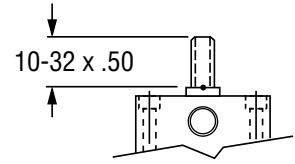
Mates RC-19  
Rod Clevis shown  
on the left.





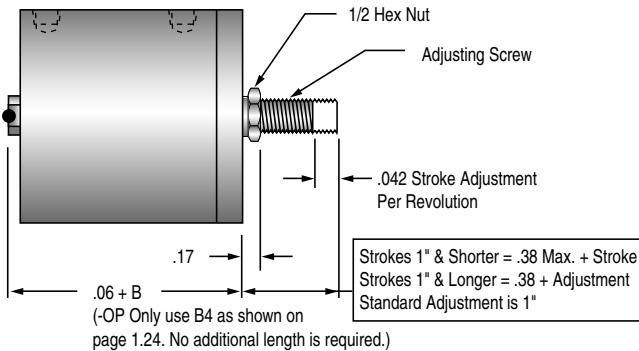
### Suffix Option -MR Male Rod Thread

Available on Original and "T" Series with Actions: -X, -XK, -O, -OP. Also see *Option Information* on page 1.8.



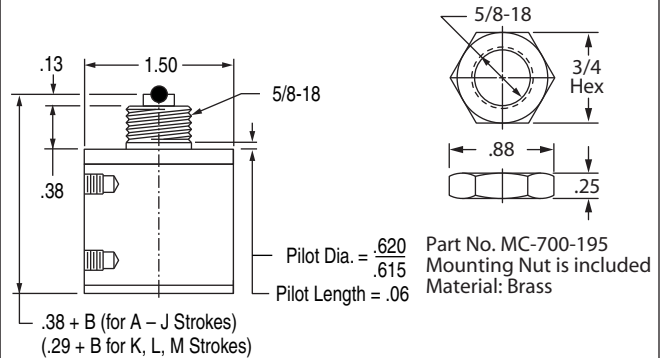
### Suffix Option -RS Adjustable Retract Stroke

Available on Original and "T" Series with Actions: -X, -XK, -O, -OP. Also see *Option Information* on page 1.11.



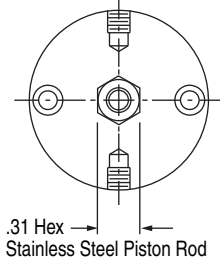
### Suffix Option -F Threaded Nose Mount

Available on Original and "T" Series with Actions: -X, -XK, -O, -OP. Also see *Option Information* on page 1.13.



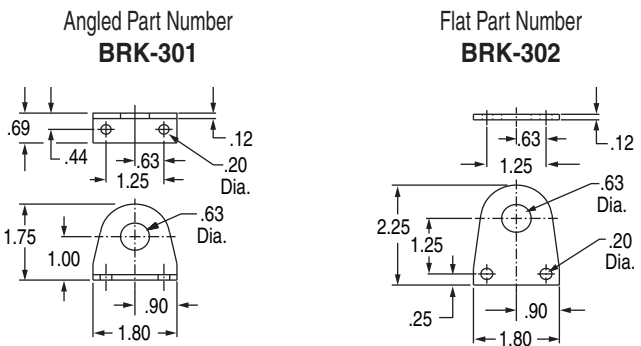
### Suffix Option -NR Nonrotating, Single Acting

Available on Original and "T" Series with Action -O. Also see *Option Information* on page 1.8.



### Accessory Nose Mounting Brackets

Order Separately. Material: Plated Steel



### Suffix Option -E Specifies Magnetic Piston and Dovetail Mounting Slot(s)

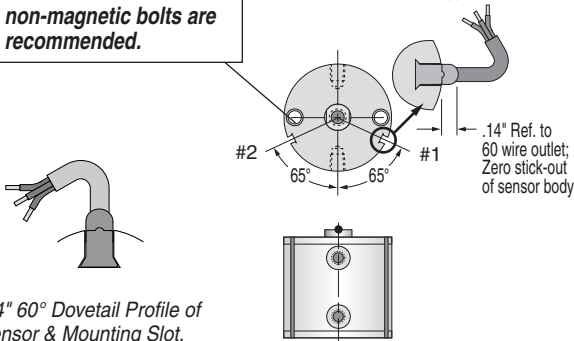
Strokes are NOT affected by Magnetic Piston Option

**– Sensors Must be Ordered Separately**  
**See Sensor Models Available page 1.14**

**Note:**  
Alloy steel mounting bolts may effect sensing. Stainless steel or other non-magnetic bolts are recommended.

#### 3/4" (7) Bore

Sensors available for "D" & "TD" strokes and longer. Strokes D & TD are ported on opposite sides.



1/4" 60° Dovetail Profile of Sensor & Mounting Slot.

#### Quick Reference to Standard Strokes

Use the appropriate Stroke Letter in the Model Number

	Available on Original Series		Available on "T" Series	
	Stroke	Action X, XK <sup>1</sup>	Stroke	Action X, XK
Sensor Slots at Positions #1 and #2	3/8	D	1/4	TD
	1/2	E	3/8	TE
	5/8	F	1/2	TF
	3/4	G	5/8	TG
	1	H	1	TH
	1 1/4	I	1 1/4	TI
Sensor Slot at Position #1 only	1 1/2	J	1 1/2	TJ
	2	K	2	TK
	3	L	3	TL
	4	M	4	TM

**Note 1:** For Action XK strokes D-G are decreased by 1/8" for those shown for Original Series. There is no decrease in stroke for "T" Series.



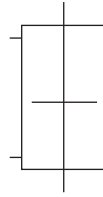
1

### Action –XDR Original Series Double Rod, Double Acting

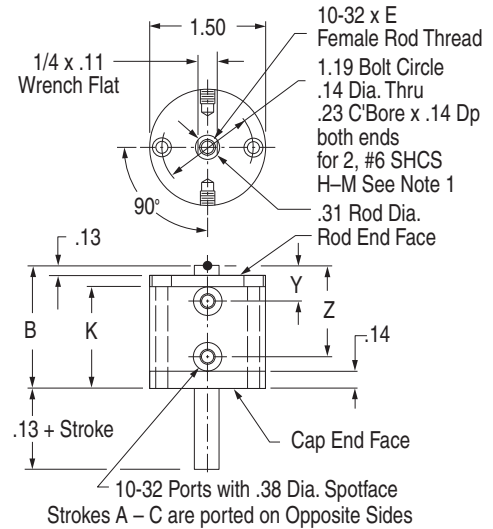
Note 1:

Strokes H – M have  
two #8-32 x .44  
Tapped Mounting  
Holes on each end.

See page 1.16 for  
Mounting Bolts  
Force Area = .36  
Seal Kit = 7-SK



Stroke, Inches	1/16	1/8	1/4	3/8	1/2	5/8	3/4	1	1-1/4	1-1/2	2	3	4
Stroke, Letter	A	B	C	D	E	F	G	H	I	J	K	L	M
B	1.00	1.00	1.13	1.25	1.38	1.50	1.63	1.88	2.13	2.38	2.88	3.88	4.88
E	.25	.25	.25	.38	.38	.38	.38	.38	.38	.38	.38	.38	.38
K	.73	.73	.86	.98	1.11	1.23	1.36	Note 1	Note 1	Note 1	Note 1	Note 1	Note 1
Y	.46	.46	.46	.46	.46	.46	.46	.46	.46	.46	.46	.46	.46
Z	.67	.67	.80	.92	1.05	1.17	1.30	1.55	1.80	2.05	2.55	3.55	4.55
Weight, lb.	.16	.16	.19	.22	.23	.26	.28	.32	.36	.41	.49	.69	.86

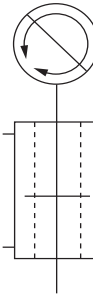


### Action –XDRK Original Series Double Rod, Double Acting, Nonrotating

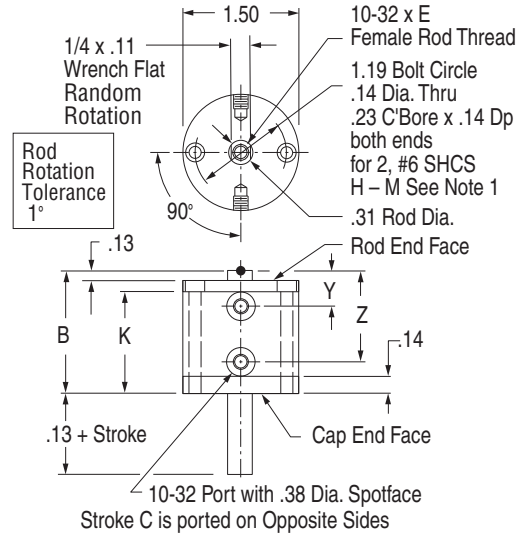
Note 1:

Strokes H – M have  
two #8-32 x .44  
Tapped Mounting  
Holes on each end.

See page 1.16 for  
Mounting Bolts  
Force Area = .35  
Seal Kit = 7-SK-K



Stroke, Inches	1/8	1/4	3/8	1/2	5/8	7/8	1 1/8	1 3/8	1 7/8	2 7/8	3 7/8
Stroke, Letter	C	D	E	F	G	H	I	J	K	L	M
B	1.13	1.25	1.38	1.50	1.63	1.88	2.13	2.38	2.88	3.88	4.88
E	.25	.38	.38	.38	.38	.38	.38	.38	.38	.38	.38
K	.86	.98	1.11	1.23	1.36	Note 1	Note 1	Note 1	Note 1	Note 1	Note 1
Y	.46	.46	.46	.46	.46	.46	.46	.46	.46	.46	.46
Z	.80	.92	1.05	1.17	1.30	1.55	1.80	2.05	2.55	3.55	4.55
Weight, lb.	.20	.22	.24	.27	.29	.33	.37	.43	.51	.71	.89

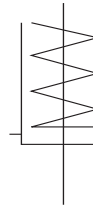


### Action –ODR Original Series Double Rod, Single Acting, Spring Retracted

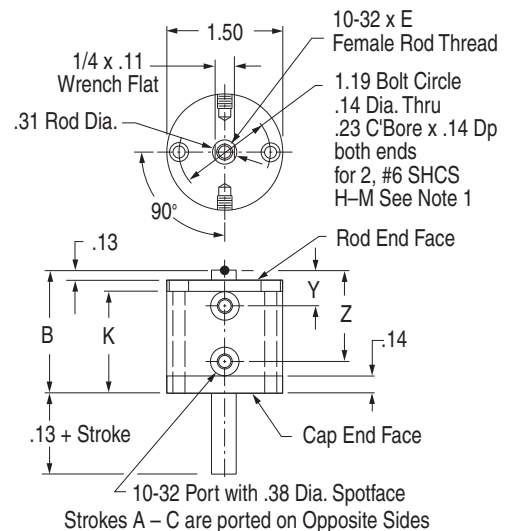
Note 1:

Strokes F – K have  
two #8-32 x .44  
Tapped Mounting  
Holes on each end.

See page 1.16 for  
Mounting Bolts  
Force Area = .36  
Seal Kit = 7-SK

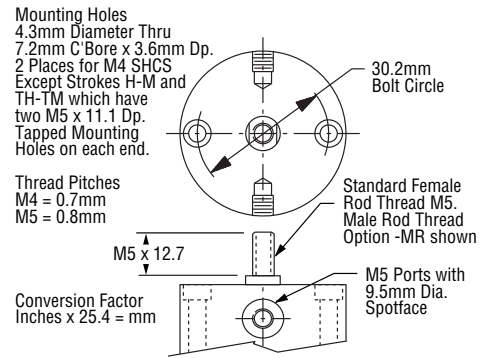


Stroke, Inches	1/16	1/8	1/4	3/8	1/2	5/8	3/4	1	1 1/4	1 1/2	2
Stroke, Letter	A	B	C	D	E	F	G	H	I	J	K
B	1.00	1.13	1.25	1.55	1.67	1.88	2.38	2.88	2.88	3.88	3.88
E	.25	.25	.25	.38	.38	.38	.38	.38	.38	.38	.38
K	.73	.86	.98	1.28	1.40	Note 1	Note 1	Note 1	Note 1	Note 1	Note 1
Y	.46	.46	.46	.46	.46	.46	.46	.46	.46	.46	.46
Z	.67	.80	.92	1.22	1.34	1.55	2.05	2.55	2.55	3.55	3.55
Weight, lb.	.16	.19	.20	.22	.23	.33	.43	.51	.51	.71	.71
Spring Return											
Preload	2.0	2.8	1.5	2.5	2.0	2.5	2.5	2.2	1.5	1.3	1.3
End of Stroke	3.0	4.5	4.5	4.8	4.8	4.8	4.8	4.9	5.0	5.3	6.7



**Prefix Option -M Metric Cylinder & Rod Thread, 19.1mm Bore**  
Available on Original Series with Actions: -XDR, -XDRK, -ODR  
Also see *Option Information* on page 1.7.

Action	-XDR & -ODR											-XDR	
Stroke mm	1.6	3.2	6.4	9.5	12.7	15.9	19.1	25.4	31.8	3.81	50.8	76.2	101.6
Stroke Letter	A	B	C	D	E	F	G	H	I	J	K	L	M
Action -XDRK													
Stroke mm	NA	NA	3.2	6.3	9.5	12.7	15.9	22.2	28.6	34.9	47.6	73.0	98.4
Stroke Letter	A	B	C	D	E	F	G	H	I	J	K	L	M

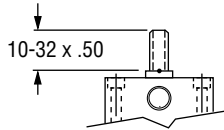


The **Suffix Options** charted on the right are available on Original Series with the Actions indicated (✓). They require no dimensional changes from the Standard Specifications on page 1.27. – Also see *Option Information* on pages 1.7 thru 1.15.

	V	Q	N	C1-C7	BF	BR	BFR	06
-XDR	✓	✓	✓	✓	✓	✓	✓	✓
-XDRK	✓	✓	✓	✓	✓	✓	✓	✓
-ODR	✓	✓	✓	✓	NA	✓	NA	✓

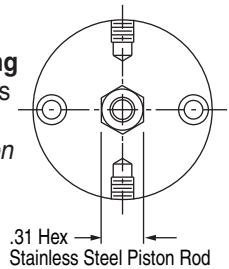
### Suffix Option -MR, -MR1, -MR2 Male Rod Thread

Available on Original Series with Actions -XDR, -XDRK, -ODR.  
For Rod End only use **-MR**  
For Cap End only use **-MR1**  
For Both Ends use **-MR2**  
Also see *Option Information* on Page 1.8



### Suffix Option -NR Nonrotating, Single Acting

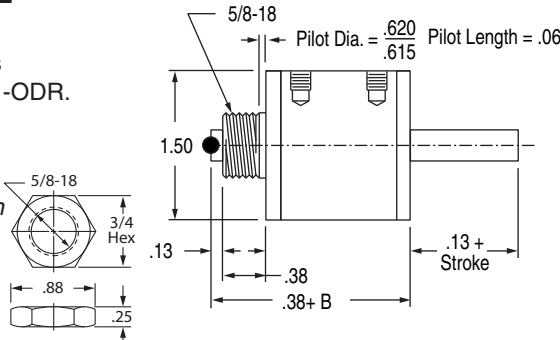
Available on Original Series with Actions: -ODR  
Also see *Option Information* on page 1.8.



### Suffix Option -F, -F1, -F2 Threaded Nose Mount

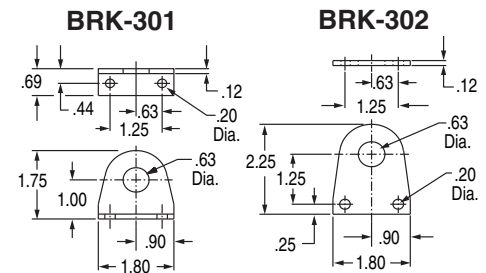
Available on Original Series with Actions -XDR, -XDRK, -ODR.  
For Rod End only use **-F**  
For Cap End only use **-F1**  
For Both Ends use **-F2**  
Also see *Option Information* on page 1.13

Nut Part No. MC-700-195 is included. Material: Brass



### Accessory Nose Mounting Brackets

Order Separately. Material Plated Steel



### Suffix Option -E Specifies Magnetic Piston and Dovetail Mounting Slot(s)

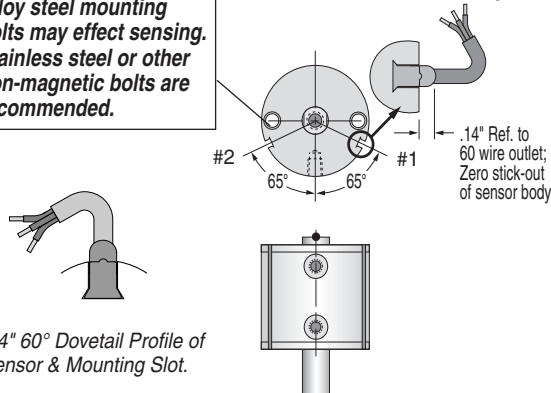
Strokes are NOT affected by Magnetic Piston Option

– Sensors Must be Ordered Separately  
See Sensor Models Available page 1.14

**Note:**  
Alloy steel mounting bolts may effect sensing. Stainless steel or other non-magnetic bolts are recommended.

#### 3/4" (7) Bore

Sensors available for "D" strokes and longer.



**Quick Reference to Standard Strokes**  
Use the appropriate Stroke Letter in the Model Number

#### Available on Original Series

	Stroke	Action
		XDR, XDRK <sup>2</sup>
Sensor Slots at Positions #1 and #2	3/8	D
	1/2	E
	5/8	F
	3/4	G
	1	H
	1 1/4	I
Sensor Slot at Position #1 only	1 1/2	J
	2	K
	3	L
	4	M

**Note 2:** For Action XDRK strokes D-M are decreased by 1/8" for those shown for Original Series.

# Pancake® Cylinders 1 1/8" (121) Bore Model Number

1

Model Number Code

Leave blank if none desired

D

121

X

MR

Metric M  
See pages 1.7, 1.31 & 1.34

Bore Code  
1 1/8" 121  
28.5mm 121

Standard Strokes			
Original Series			
Action	X XK XDR XDRK	O ODR OP	
Stroke			
1/8	A	A	A
3/16	B	B	B
1/4	C	C	C
1/2	D*	D	D
3/4	X	X	X
1	E	E	E
1 1/4	F	F	F
1 1/2	G	G	G
1 3/4	H	H	-
2	I	I	-
3	J	-	-
4	K	-	-

"T" Series Includes PTFE piston bearing			
Action	X XK	O OP	
Stroke			
1/16	TB	TB	TB
1/8	TC	TC	TC
3/8	TD*	TD	TD
5/8	TX	TX	TX
7/8	TE	TE	TE
1 1/8	TF	TF	TF
1 3/8	TG	TG	TG
1 5/8	TH	TH	-
1 7/8	TI	TI	-
2 7/8	TJ	-	-
3 7/8	TK	-	-

Grey shading indicates sensors are not available.

Strokes are NOT affected by magnetic piston Option "E"

Action	
<b>Single rod</b>	
Double acting	-X
Double acting, Nonrotating	
Internal guide pins - 150 psi max	-XK
Single acting, spring retracted	-O
Single acting, spring extended	-OP
<b>Double rod</b>	
Double acting	-XDR
Double acting, Nonrotating	
Internal guide pins - 150 psi max	-XDRK
Single acting, spring retracted	-ODR

See pages 1.5 & 1.6 for Action Information.  
See pages 1.30 & 1.33 for Standard Specifications

## HOW TO ORDER

- Under **Stroke** – select letter(s) for desired Series and Stroke.
  - Under **Bore** – select **121** for 1 1/8" bore.  
**Seven Other Bore Sizes are Available**
- | Bore   | Bore Code | See page |
|--------|-----------|----------|
| 1/2"   | 5         | 1.17     |
| 3/4"   | 7         | 1.23     |
| 1 5/8" | 221       | 1.35     |
| 2"     | 321       | 1.41     |
| 2 1/2" | 521       | 1.47     |
| 3"     | 721       | 1.53     |
| 4"     | 1221      | 1.59     |
- Under **Action** – select letter(s) for desired action.
  - Under **Prefix & Suffix Options** – select letter(s) for desired options and add to model number.

## EXAMPLES

### D-121-X

Original Series, 1/2" stroke - 1 1/8" Bore - Single Rod, Double Acting

### TD-121-X-MR

"T" Series, 3/8" Stroke - 1 1/8" Bore - Single Rod, Double Acting - Male Rod Thread

## Suffix Options

Male rod thread: Single rod	-MR
Double rod, rod end	-MR
Double rod, cap end	-MR1
Double rod, both ends	-MR2

PTFE seals	-T
------------	----

Viton seals	-V
-------------	----

Quad seals	-Q
------------	----

External guide, nonrotating for load guiding (See page 1.65)	-G
--	----

Hydraulic: Standard cover	-H
---------------------------	----

Hole thru double rod shaft: 1/8" hole	-13
Plus size: 5/32" hole	-16
150 psi max	

Finish: ProCoat™ (Electroless Nickel)	-N
---------------------------------------	----

Stroke collar:			
1/4"	-C2	1/8"	-C1
1/2"	-C4	3/8"	-C3
3/4"	-C6	5/8"	-C5
		7/8"	-C7

Sound limiters:	Rod end	-LF
	Cap end	-LR
	Both ends	-LFR

Rubber Bumpers:	Rod end	-BF
	Cap end	-BR
	Both ends	-BFR

Adjustable extend stroke (Full stroke adjustment is standard)	-AS
---	-----

Adjustable retract stroke (Over 1" adjustment add desired length, e.g. -RS2)	-RS
--	-----

Clevis mount:	Ports in-line with slot	-PM
	Ports 90° to slot	-SM

Eye mount:	Ports in-line with tang	-EPM
	Ports 90° to tang	-ESM

Threaded nose mount: Single rod		-F
	Double rod, rod end	-F
	Double rod, cap end	-F1
	Double rod, both ends	-F2

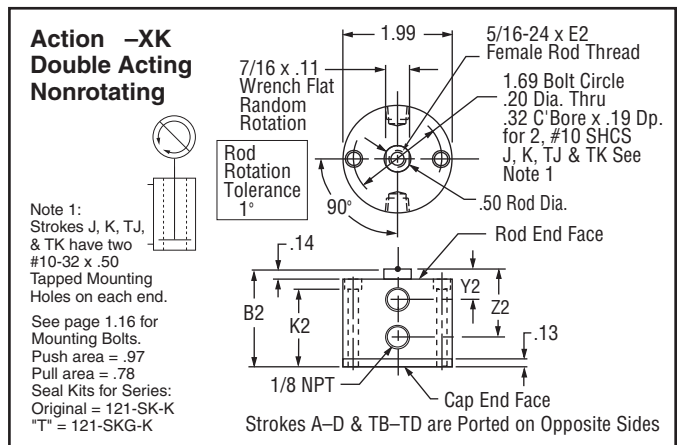
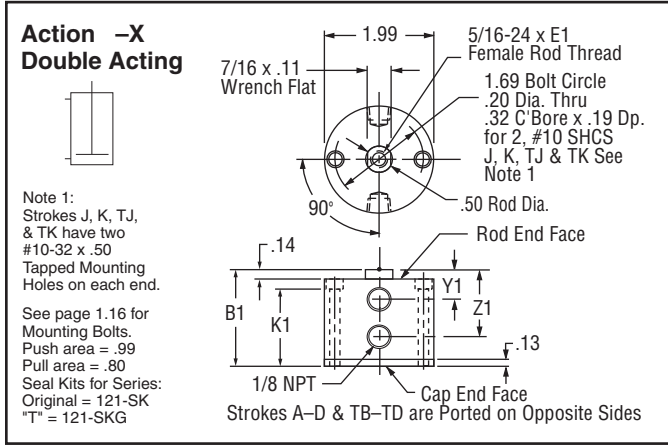
Magnetic piston & sensor mounting slot(s)	-E
---	----

Order sensors separately. See page 1.14.  
Stroke length determines number of mounting slots. See page 1.14, 1.32, 1.34

See pages 1.3 – 1.15 for general option information and pages 1.31, 1.32 & 1.34 for option specifications of 1 1/8" bore models.

\* Note – Sensors not available:  
D-121-XK, TD-121-XK, D-121-XDRK

A complete library of cylinder CAD drawings is available from your local Fabco-Air Distributor or from the Fabco-Air web site – <http://www.fabco-air.com>



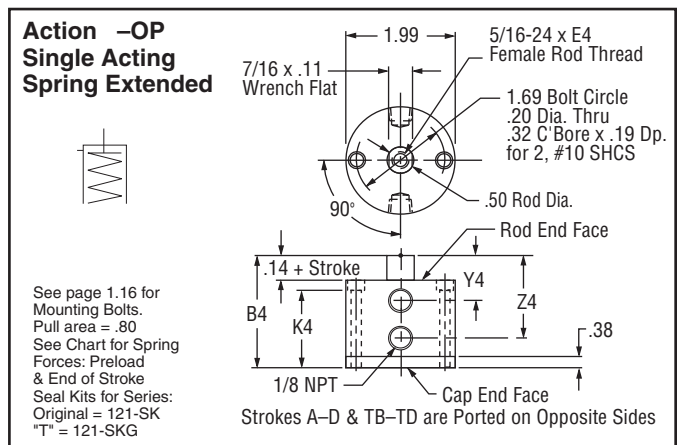
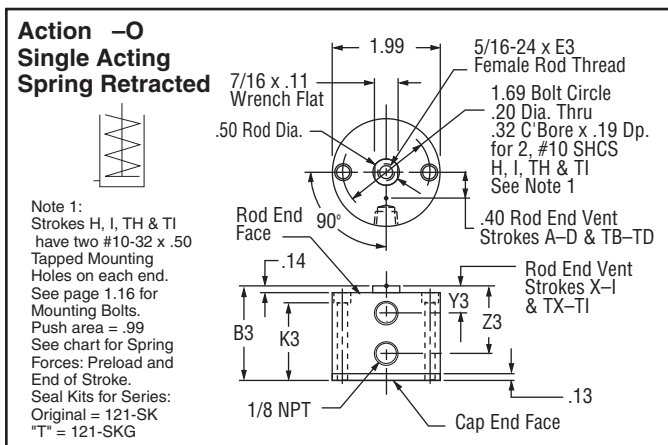
### Original Series

Stroke, Inches	1/8	3/16	1/4	1/2	3/4	1	1 1/4	1 1/2	1 3/4	2	3	4
Stroke, Letter	A	B	C	D	X	E	F	G	H	I	J	K
<b>Action -XK Double Acting, Nonrotating</b>												
B2	1.02	1.02	1.02	1.33	1.77	2.02	2.27	2.52	2.95	3.39	3.99	4.99
E2	.38	.38	.38	.38	.63	.63	.63	.63	.63	.63	.63	.63
K2	.69	.69	.69	1.00	1.44	1.69	1.94	2.19	2.62	3.06	Note 1	Note 1
Y2	.45	.45	.45	.67	.52	.52	.52	.52	.70	.89	.52	.52
Z2	.45	.45	.45	.67	1.27	1.52	1.77	2.02	2.45	2.89	3.49	4.49
Weight, lb.	.28	.27	.26	.37	.48	.61	.67	.81	.95	1.08	1.35	
<b>Action -O Single Acting, Spring Retracted</b>												
B3	1.02	1.02	1.02	1.33	2.02	2.27	2.95	3.39	3.99	3.99	NA*	NA*
E3	.38	.38	.38	.38	.63	.63	.63	.63	.63	.63	"	"
K3	.69	.69	.69	1.00	1.69	1.94	2.62	3.06	Note 1	Note 1	"	"
Y3	Rod End Face Vent			.52	.52	.70	.89	.52	.52	"	"	"
Z3	.45	.45	.45	.67	1.52	1.77	2.45	2.89	3.49	3.49	"	"
Weight, lb.	.28	.28	.28	.34	.57	.63	.84	.98	1.15	1.15	"	"
Preload, lb.6.0	5.0	4.0	3.8	4.4	3.7	5.0	4.6	2.5	2.8	"	"	5.0
End of Stroke, lb.	8.5	8.5	8.5	11.8	17.7	18.6	17.8	18.3	22.2	17.7	"	"
<b>Action -OP Single Acting, Spring Extended</b>												
B4	1.40	1.46	1.52	2.08	3.02	3.52	4.45	5.14	NA*	NA*	NA*	NA*
E4	.38	.38	.38	.38	.63	.63	.63	.63	"	"	"	"
K4	.94	.94	.94	1.25	1.94	2.19	2.87	3.31	"	"	"	"
Y4	.58	.64	.70	1.17	1.27	1.52	1.95	2.39	"	"	"	"
Z4	.58	.64	.70	1.17	2.27	2.77	3.70	4.39	"	"	"	"
Weight, lb.	.37	.36	.36	.43	.63	.70	.91	1.00	"	"	"	.37
Preload, lb.6.0	5.0	4.0	3.5	3.9	3.3	2.5	4.3	"	"	"	5.0	"
End of Stroke, lb.	8.5	8.5	8.5	11.5	17.1	18.2	16.8	18.1	"	"	"	"

### "T" Series

Stroke, Inches	1/8	3/8	5/8	7/8	1 1/8	1 3/8	1 5/8	1 7/8	2 7/8	3 7/8
Stroke, Letter	TB	TC	TD	TX	TE	TF	TG	TH	TI	TK
<b>Action -X Double Acting</b>										
B1	1.02	1.02	1.33	1.77	2.02	2.27	2.52	2.95	3.39	4.99
E1	.38	.38	.38	.63	.63	.63	.63	.63	.63	.63
K1	.69	.69	1.00	1.44	1.69	1.94	2.19	2.62	3.06	Note 1
Y1	.45	.45	.67	.52	.52	.52	.52	.70	.89	.52
Z1	.45	.45	.67	1.27	1.52	1.77	2.02	2.45	2.89	3.49
Weight, lb.	.28	.27	.38	.49	.55	.62	.68	.82	.96	1.09
<b>Action -XK Double Acting, Nonrotating</b>										
B2	1.02	1.02	1.33	1.77	2.02	2.27	2.52	2.95	3.39	4.99
E2	.38	.38	.38	.63	.63	.63	.63	.63	.63	.63
K2	.69	.69	1.00	1.44	1.69	1.94	2.19	2.62	3.06	Note 1
Y2	.45	.45	.67	.52	.52	.52	.52	.70	.89	.52
Z2	.45	.45	.67	1.27	1.52	1.77	2.02	2.45	2.89	3.49
Weight, lb.	.28	.27	.38	.50	.56	.63	.69	.84	.98	1.11
<b>Action -O Single Acting, Spring Retracted</b>										
B3	1.02	1.02	1.33	2.02	2.27	2.95	3.39	3.99	3.99	NA*
E3	.38	.38	.38	.63	.63	.63	.63	.63	.63	"
K3	.69	.69	1.00	1.69	1.94	2.62	3.06	Note 1	Note 1	"
Y3	Rod End Face Vent			.52	.52	.70	.89	.52	.52	"
Z3	.45	.45	.67	1.52	1.77	2.45	2.89	3.49	3.49	"
Weight, lb.	.29	.29	.35	.58	.65	.85	.99	1.16	1.16	"
Preload, lb.6.0	4.0	3.8	4.4	3.7	5.0	4.6	2.5	2.8	"	"
End of Stroke, lb.	8.5	8.5	11.8	17.7	18.6	17.8	18.3	22.2	17.7	"
<b>Action -OP Single Acting, Spring Extended</b>										
B4	1.33	1.40	1.96	2.90	3.40	4.33	5.02	NA*	NA*	NA*
E4	.38	.38	.38	.63	.63	.63	.63	"	"	"
K4	.94	.94	1.25	1.94	2.19	2.87	3.31	"	"	"
Y4	.51	.58	1.05	1.15	1.40	1.83	2.27	"	"	"
Z4	.51	.58	1.05	2.15	2.65	3.58	4.27	"	"	"
Weight, lb.	.37	.44	.65	.72	.92	1.10	"	"	"	"
Preload, lb.6.0	4.0	3.5	6.1	5.1	4.0	5.5	"	"	"	"
End of Stroke, lb.	8.5	8.5	8.5	17.1	18.2	16.8	18.1	"	"	"

NA\* = Not Available



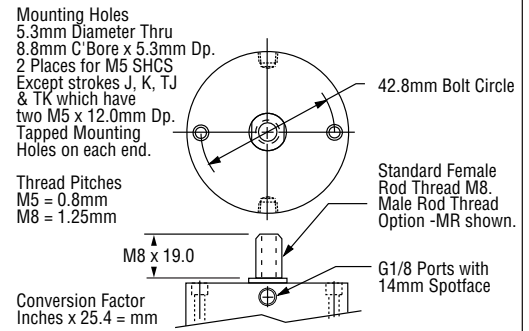
NA\* = Not Available

**Prefix Option -M Metric Cylinder & Rod Thread, 28.5mm Bore**  
Available on Original and "T" Series with Actions: -X, -XK, -O, -OP  
Also see *Option Information* on page 1.7.

Original Series												
Stroke mm	3.2	4.8	6.4	12.7	19.1	25.4	31.8	38.1	44.5	50.8	76.2	101.6
Stroke Letter	A	B	C	D	X	E	F	G	H	I	J	K

"T" Series											
Stroke mm	1.6	3.2	9.5	15.9	22.2	28.6	34.9	41.3	47.6	73.0	96.4
Stroke Letter	TB	TC	TD	TX	TE	TF	TG	TH	TI	TJ	TK

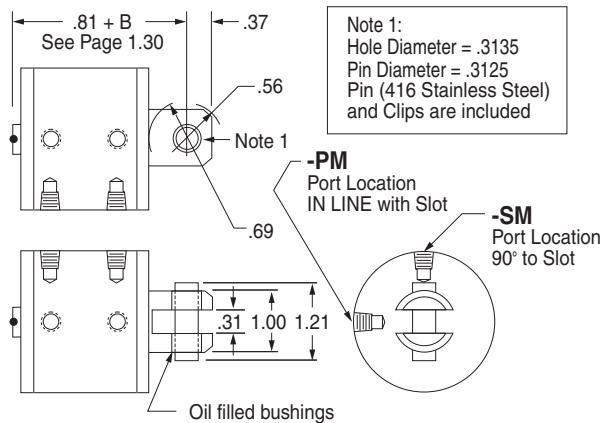


The **Suffix Options** charted on the right are available on Original and "T" Series with the Actions indicated (✓). They require no dimensional changes from the Standard Specifications on page 1.30.  
- Also see *Option Information* on pages 1.7 thru 1.15.

	T	V	Q	H	N	C1-C7	LF	LR	LFR	BF	BR	BFR
-X	✓	✓	✓	✓	✓	✓	✓	✓	✓	✓	✓	✓
-XK	✓	✓	✓	NA	✓	✓	NA	✓	NA	✓	✓	✓
-O	NA	✓	✓	✓	✓	NA	NA	✓	NA	NA	✓	NA
-OP	NA	✓	✓	✓	✓	✓	✓	✓	✓	✓	NA	NA

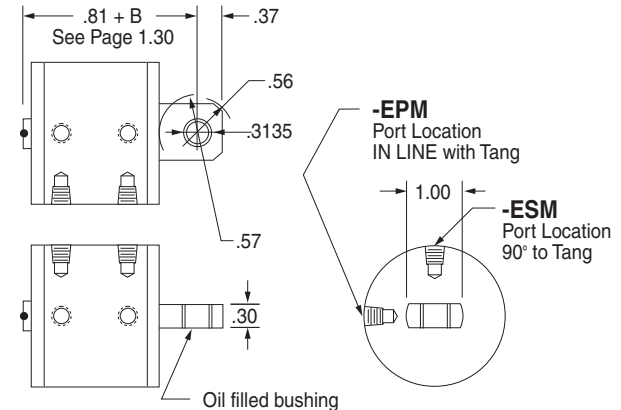
### Suffix Options -PM & -SM Clevis Mount

Available on Original and "T" Series with Actions: -X, -XK, -O, -OP  
Also see *Option Information* on page 1.13.



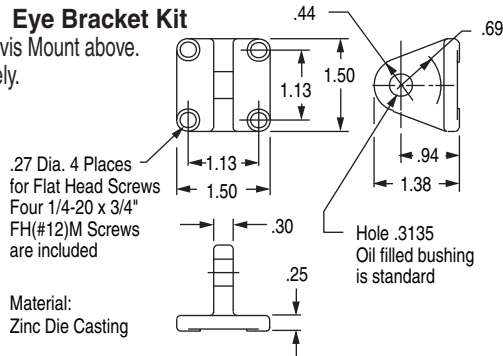
### Suffix Options -EPM & -ESM Eye Mount

Available on Original and "T" Series with Actions: -X, -XK, -O, -OP  
Also see *Option Information* on page 1.13.



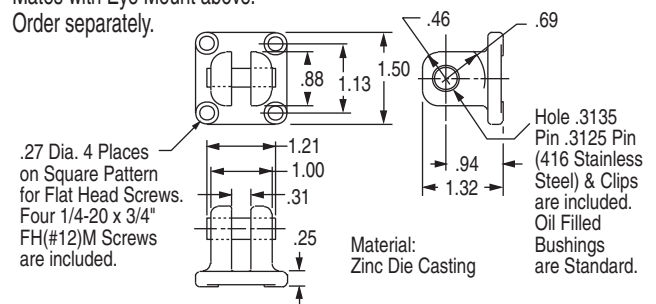
### EM-121 Eye Bracket Kit

Mates with Clevis Mount above.  
Order separately.



### PM-121 Clevis Bracket Kit

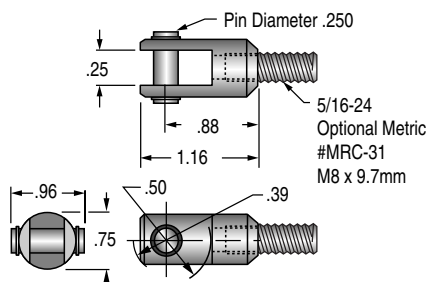
Mates with Eye Mount above.  
Order separately.



### RC-31 Rod Clevis and Pin

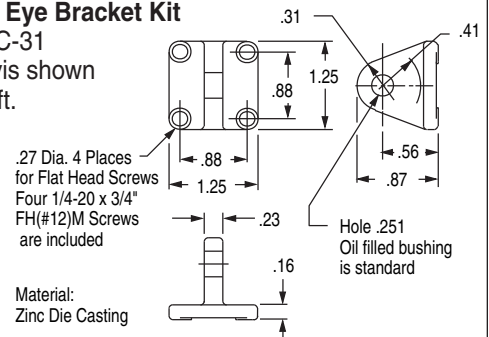
Threaded Stud mates with Female Rod thread in **Pancake®** Cylinders. Slot & Pin Mate with EM-04 Eye Bracket shown on the right.

Materials:  
Clevis - Steel, Black Oxide  
Stud - Steel  
Pin - 416 Stainless Steel  
Pin & Clips are included



### EM-04 Eye Bracket Kit

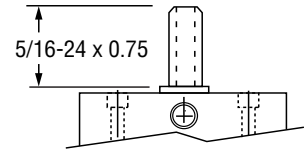
Mates RC-31 Rod Clevis shown on the left.





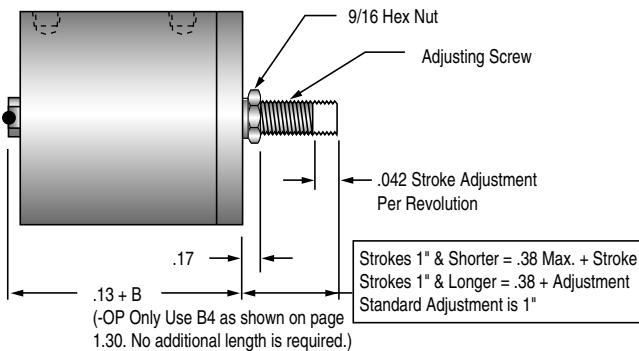
### Suffix Option -MR Male Rod Thread

Available on Original and "T" Series with Actions: -X, -XK, -O, -OP. Also see *Option Information* on page 1.8.



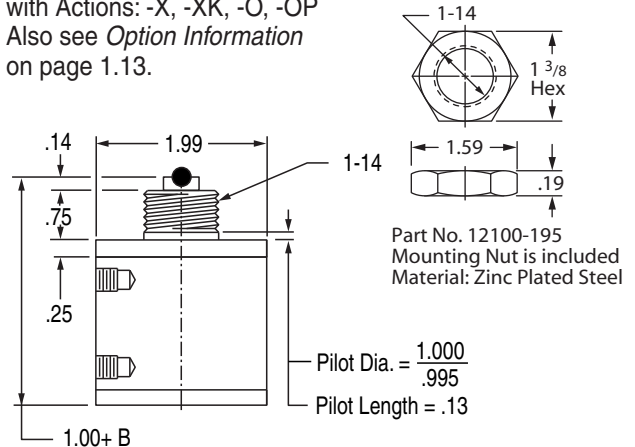
### Suffix Option -RS Adjustable Retract Stroke

Available on Original and "T" Series with Actions: -X, -XK, -O, -OP. Also see *Option Information* on page 1.11.



### Suffix Option -F Threaded Nose Mount

Available on Original and "T" Series with Actions: -X, -XK, -O, -OP. Also see *Option Information* on page 1.13.



### Suffix Option -E Specifies Magnetic Piston and Dovetail Mounting Slot(s)

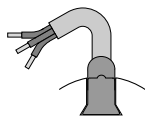
Strokes are NOT affected by magnetic piston.

**– Sensors Must be Ordered Separately  
See Sensor Models Available page 1.14**

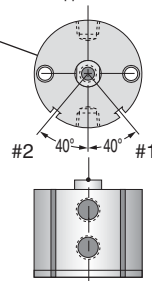
#### 1 1/8" (121) Bore

**Note:**  
Alloy steel mounting bolts may effect sensing. Stainless steel or other non-magnetic bolts are recommended.

Sensors available for "D" & "TD" strokes and longer. Strokes "D" & "TD" are ported on opposite sides.



1/4" 60° Dovetail Profile of Sensor & Mounting Slot.



Sensor Slots at Positions #1 and #2

Sensor Slot at Position #1 only

#### Quick Reference to Standard Strokes

Use the appropriate Stroke Letter in the Model Number

##### Available on Original Series

##### Available on "T" Series

Action  
Stroke X XK

Action  
Stroke X XK

1/2	----- D -----	Not Available
3/4	----- X -----	X
1	----- E -----	E
1 1/4	----- F -----	F

3/8	----- TD -----	Not Available
5/8	----- TX -----	TX
7/8	----- TE -----	TE
1 1/8	----- TF -----	TF

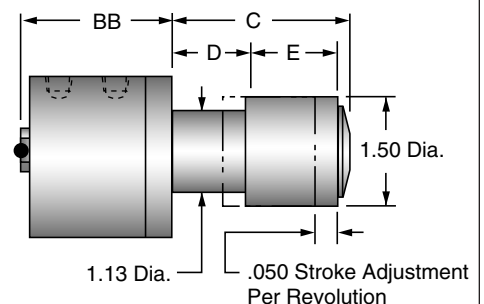
1 1/2	----- G -----	G
1 3/4	----- H -----	H
2	----- I -----	I
3	----- J -----	J
4	----- K -----	K

1 3/8	----- TG -----	TG
1 5/8	----- TH -----	TH
1 7/8	----- TI -----	TI
2 7/8	----- TJ -----	TJ
3 7/8	----- TK -----	TK

### Suffix Option -AS Adjustable Extend Stroke

Available on Original Series with Actions: -X, -XK, -O. Also see *Option Information* on page 1.11.

Stroke Inches	1/8	3/16	1/4	1/2	3/4	1	1-1/4	1-1/2	1-3/4	2	3	4	
Stroke Letter	A	B	C	D	X	E	F	G	H	I	J	K	
Actions: -X, -XK	BB	1.36	1.36	1.36	1.67	2.11	2.36	2.61	2.86	3.30	3.74	4.33	5.33
Actions: -O	BB	1.36	1.36	1.36	1.67	2.36	2.61	3.30	3.74	4.33	4.33	NA	NA
C	1.40	1.53	1.66	2.16	2.66	3.16	3.66	4.16	4.66	5.16	7.16	9.16	
D	0.63	0.69	0.75	1.00	1.25	1.50	1.75	2.00	2.25	2.50	3.50	4.50	
E	0.63	0.69	0.75	1.00	1.25	1.50	1.75	2.00	2.25	2.50	3.50	4.50	

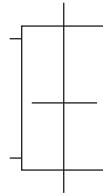


1

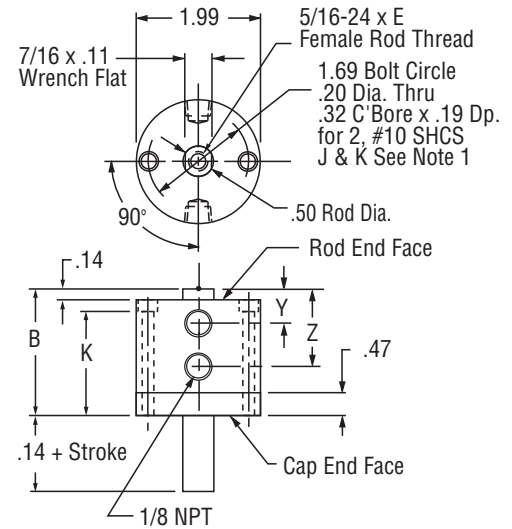
### Action –XDR Original Series Double Rod, Double Acting

Note 1:  
Strokes J & K have  
two #10-32 x .50  
Tapped Mounting  
Holes on each end.

See page 1.16 for  
Mounting Bolts  
Force Area = .80  
Seal Kit = 121-SK



Stroke, Inches	1/8	3/16	1/4	1/2	3/4	1	1 1/4	1 1/2	1 3/4	2	3	4
Stroke, Letter	A	B	C	D	X	E	F	G	H	I	J	K
B	1.36	1.36	1.36	1.67	2.11	2.36	2.61	2.86	3.30	3.74	4.33	5.33
E	.38	.38	.38	.34	.63	.63	.63	.63	.63	.63	.63	.63
K	1.04	1.04	1.04	1.34	1.78	2.03	2.28	2.53	2.96	3.40	Note 1	Note 1
Y	.45	.45	.45	.67	.52	.52	.52	.52	.70	.89	.52	.52
Z	.45	.45	.45	.67	1.27	1.52	1.77	2.02	2.45	2.89	3.49	4.49
Weight, lb.	.46	.45	.44	.55	.68	.76	.83	.91	1.07	1.22	1.41	1.71

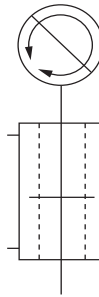


Strokes A – D are Ported on Opposite Sides

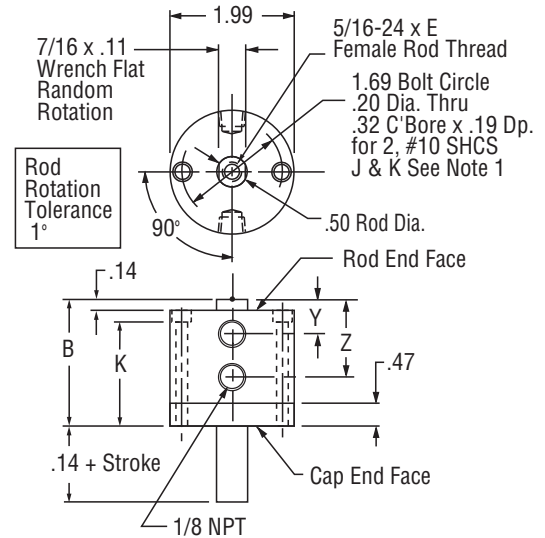
### Action –XDRK Original Series Double Rod, Double Acting, Nonrotating

Note 1:  
Strokes J & K have  
two #10-32 x .50  
Tapped Mounting  
Holes on each end.

See page 1.16 for  
Mounting Bolts  
Force Area = .78  
Seal Kit = 121-SK-K



Stroke, Inches	1/8	3/16	1/4	1/2	3/4	1	1 1/4	1 1/2	1 3/4	2	3	4
Stroke, Letter	A	B	C	D	X	E	F	G	H	I	J	K
B	1.36	1.36	1.36	1.67	2.11	2.36	2.61	2.86	3.30	3.74	4.33	5.33
E	.38	.38	.38	.34	.63	.63	.63	.63	.63	.63	.63	.63
K	1.04	1.04	1.04	1.34	1.78	2.03	2.28	2.53	2.96	3.40	Note 1	Note 1
Y	.45	.45	.45	.67	.52	.52	.52	.52	.70	.89	.52	.52
Z	.45	.45	.45	.67	1.27	1.52	1.77	2.02	2.45	2.89	3.49	4.49
Weight, lb.	.47	.46	.45	.56	.69	.77	.84	.93	1.09	1.24	1.43	1.74

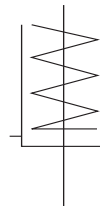


Strokes A – D are Ported on Opposite Sides

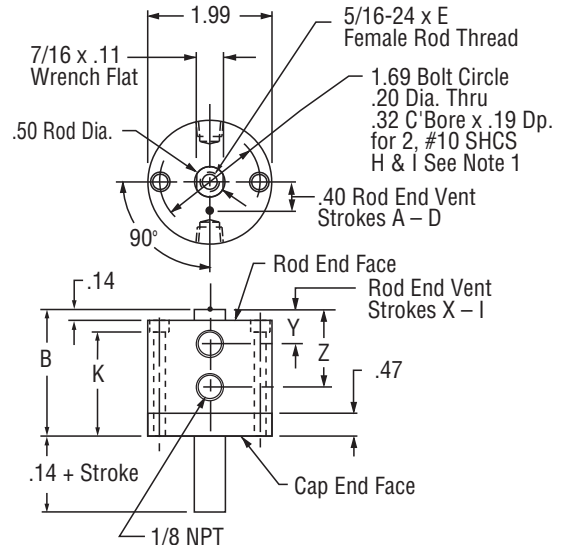
### Action –ODR Original Series Double Rod, Single Acting, Spring Retracted

Note 1:  
Strokes H & I have  
two #10-32 x .50  
Tapped Mounting  
Holes on each end.

See page 1.16 for  
Mounting Bolts  
Force Area = .80  
Seal Kit = 121-SK



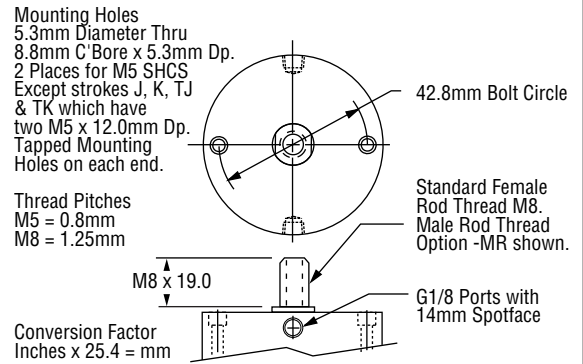
Stroke, Inches	1/8	3/16	1/4	1/2	3/4	1	1 1/4	1 1/2	1 3/4	2	
Stroke, Letter	A	B	C	D	X	E	F	G	H	I	
B	1.36	1.36	1.36	1.67	2.36	2.61	3.30	3.74	4.33	4.33	
E	.38	.38	.38	.34	.63	.63	.63	.63	.63	.63	
K	1.04	1.04	1.04	1.34	2.03	2.28	2.96	3.40	Note 1	Note 1	
Y	Rod End Vent Face										
Z	.45	.45	.45	.67	1.52	1.77	2.45	2.89	3.49	3.49	
Weight, lb.	.44	.44	.43	.53	.76	.83	1.07	1.22	1.41	1.41	
Spring Return Forces, lb.											
Preload	6.0	5.0	4.0	3.5	4.4	3.7	2.8	4.6	2.8	2.8	
End of Stroke	8.5	8.5	8.5	11.5	17.7	18.6	17.1	18.3	15.8	17.7	



### Prefix Option -M Metric Cylinder & Rod Thread, 50.8mm Bore

Available on Original Series with Actions: -XDR, -XDRK, -ODR  
Also see *Option Information* on page 1.7.

Stroke mm	3.2	4.8	6.4	12.7	19.1	25.4	31.8	38.1	44.5	50.8	76.2	101.6
Stroke Letter	A	B	C	D	X	E	F	G	H	I	J	K



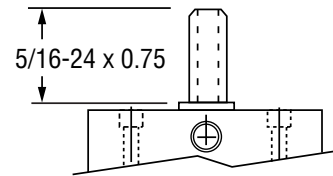
The **Suffix Options** charted on the right are available on Original Series with the Actions indicated (✓). They require no dimensional changes from the Standard Specifications on page 1.33. – Also see *Option Information* on pages 1.7 thru 1.15.

	T	V	Q	H	N	C1-C7	LF	LR	LFR	BF	BR	BFR	13	16
-XDR	✓	✓	✓	✓	✓	✓	✓	✓	✓	✓	✓	✓	✓	✓
-XDRK	NA	✓	✓	NA	✓	✓	NA	NA	NA	✓	✓	✓	✓	✓
-ODR	NA	✓	✓	✓	✓	NA	NA	✓	NA	NA	✓	NA	✓	✓

### Suffix Options -MR, -MR1, -MR2 Male Rod Thread

Available on Original Series with Actions -XDR, -XDRK, -ODR.

- For Rod End only use –MR
- For Cap End only use –MR1
- For Both Ends use –MR2



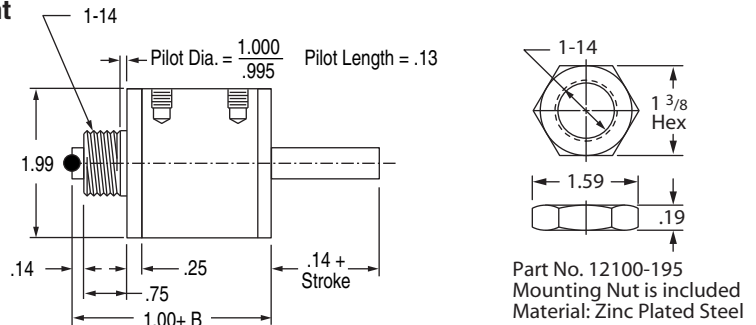
Also see *Option Information* on Page 1.8.

### Suffix Options -F, -F1, -F2 Threaded Nose Mount

Available on Original Series with Actions -XDR, -XDRK, -ODR.

- For Rod End only use –F
- For Cap End only use –F1
- For Both Ends use –F2

Also see *Option Information* page 1.13.



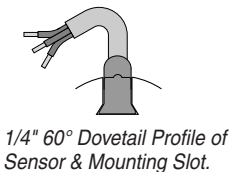
### Suffix Option -E Specifies Magnetic Piston and Dovetail Mounting Slot(s)

Strokes are NOT affected by magnetic piston.

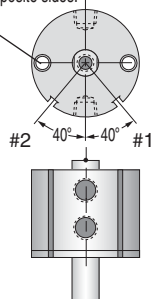
**–Sensors Must Be Ordered Separately**  
**See Sensor Models Available page 1.14**

#### 1 1/8" (121) Bore

**Note:**  
Alloy steel mounting bolts may effect sensing. Stainless steel or other non-magnetic bolts are recommended.



Sensors available for "D" strokes and longer. Stroke D is ported on opposite sides.



#### Quick Reference to Standard Strokes

Use the appropriate Stroke Letter in the Model Number

##### Available on Original Series

Stroke	Action	
	XDR	XDRK
1/2	----- D -----	Not Available
3/4	----- X -----	X
1	----- E -----	E
1 1/4	----- F -----	F
1 1/2	----- G -----	G
1 3/4	----- H -----	H
2	----- I -----	I
3	----- J -----	J
4	----- K -----	K

# Pancake® Cylinders 1 5/8" (221) Bore Model Number

1

**Model Number Code**

Prefix Options

Leave blank if none desired

Stroke

Bore

Action

Suffix Options

**D**

**221**

**X**

**MR**

Metric M  
See pages 1.7, 1.37 & 1.40

Bore	Code
1 5/8"	221
41.3mm	221

Standard Strokes			
Original Series			
Action	X XK XDR XDRK	O ODR	OP
Stroke			
1/8	AA	AA	AA
1/4	A*	A	A
1/2	B	B	B
3/4	C	C	C
1	D	D	D
1 1/2	E	E	-
2	F	-	-
3	G	-	-
4	H	-	-

**"T" Series**  
Includes PTFE piston bearing

Action	X XK	O	OP
Stroke			
1/4	TB	TB	TB
1/2	TC	TC	TC
3/4	TD	TD	TD
1 1/4	TE	-	-
1 3/4	TF	-	-
2 3/4	TG	-	-
3 3/4	TH	-	-

Grey shading indicates sensors are not available.

Strokes are NOT affected by magnetic piston Option "E"

\*Note –  
Sensors not available:  
A-221-XK  
A-221-XDRK

Action	
<b>Single rod</b>	
Double acting	-X
Double acting, Nonrotating	
Internal guide pins - 150 psi max	-XK
Single acting, spring retracted	-O
Single acting, spring extended	-OP
<b>Double rod</b>	
Double acting	-XDR
Double acting, Nonrotating	
Internal guide pins - 150 psi max	-XDRK
Single acting, spring retracted	-ODR

See pages 1.5 & 1.6 for Action Information.  
See pages 1.36 & 1.39 for Standard Specifications

Suffix Options	
Male rod thread: Single rod	-MR
Double rod, rod end	-MR
Double rod, cap end	-MR1
Double rod, both ends	-MR2
PTFE seals	-T
Viton seals	-V
Quad seals	-Q
External guide, nonrotating for load guiding (See page 1.65)	-G
Hydraulic:	
Standard cover	-H
Thick cover	-HHC
Air service: Thick cover	-HC
1/4 NPT ports	-P14
Hole thru double rod shaft: 1/8" hole	-13
Plus size: 1/4" hole	-25
150 psi max	
Finish: ProCoat™ (Electroless Nickel)	-N
Stroke collar:	
1/4"	1/8" -C1
1/2"	3/8" -C3
3/4"	5/8" -C5
	7/8" -C7
Sound limiters:	
Rod end	-LF
Cap end	-LR
Both ends	-LFR
Rubber Bumpers:	
Rod end	-BF
Cap end	-BR
Both ends	-BFR
Adjustable extend stroke (Full stroke adjustment is standard)	-AS
Adjustable retract stroke (Over 1" adjustment add desired length, e.g. -RS2)	-RS
Clevis mount: Ports in-line with slot	-PM
Ports 90° to slot	-SM
Eye mount: Ports in-line with tang	-EPM
Ports 90° to tang	-ESM
Threaded nose mount: Single rod	-F
Double rod, rod end	-F
Double rod, cap end	-F1
Double rod, both ends	-F2
Magnetic piston & sensor mounting slot(s)	-E
Order sensors separately. See page 1.14.	
Stroke length determines number of mounting slots. See page 1.14, 1.38, 1.40	

See pages 1.3 – 1.15 for general option information.  
and pages 1.37, 1.38 & 1.40 for option specifications of 1 5/8" bore models.

## HOW TO ORDER

- Under **Stroke** – select letter(s) for desired Series and Stroke.
  - Under **Bore** – select **221** for 1 5/8" bore.  
**Seven Other Bore Sizes are Available**
- | Bore   | Bore Code | See page |
|--------|-----------|----------|
| 1/2"   | 5         | 1.17     |
| 3/4"   | 7         | 1.23     |
| 1 1/8" | 121       | 1.29     |
| 2"     | 321       | 1.41     |
| 2 1/2" | 521       | 1.47     |
| 3"     | 721       | 1.53     |
| 4"     | 1221      | 1.59     |
- Under **Action** – select letter(s) for desired action.
  - Under **Prefix & Suffix Options** – select letter(s) for desired options and add to model number.

## EXAMPLES

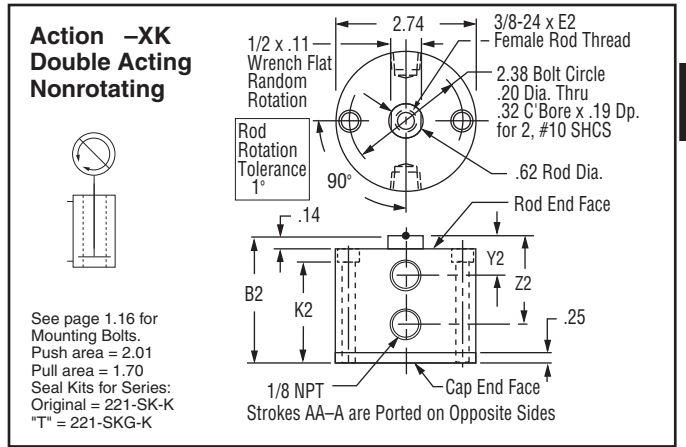
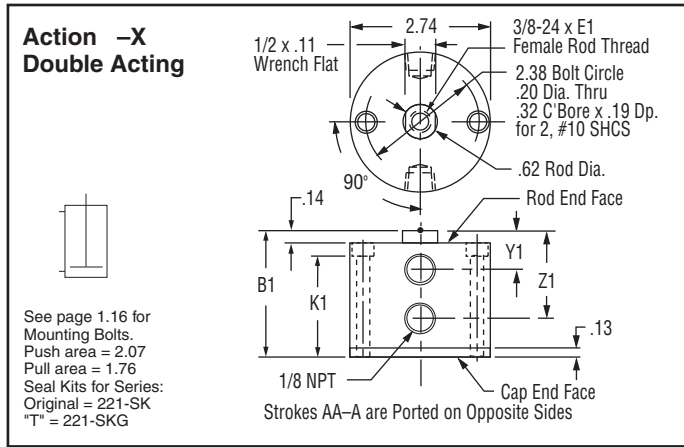
### B-221-X

Original Series, 1/2" stroke - 1 5/8" Bore - Single Rod, Double Acting

### TC-221-O-MR

"T" Series, 1/2" Stroke - 1 5/8" Bore - Single Rod, Spring Retract - Male Rod Thread

A complete library of cylinder CAD drawings is available from your local Fabco-Air Distributor or from the Fabco-Air web site – <http://www.fabco-air.com>

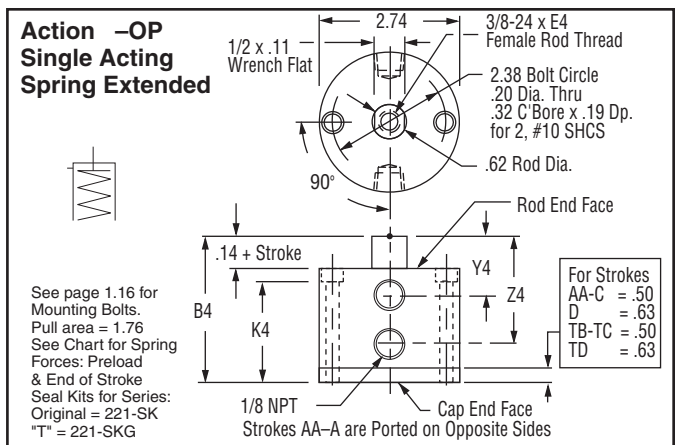
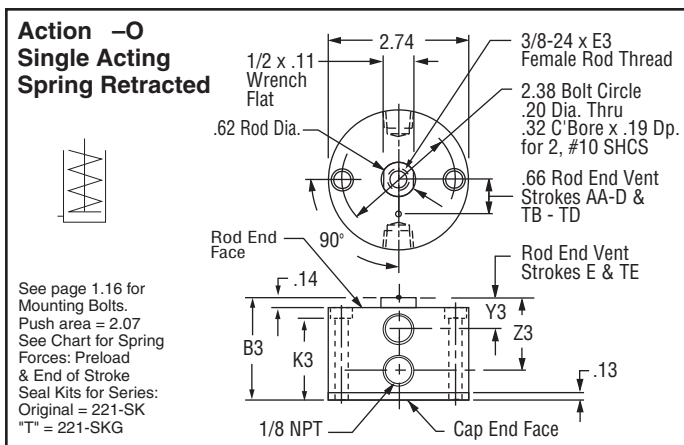


### Original Series

Stroke, Inches	1/8	1/4	1/2	3/4	1	1 1/2	2	3	4
Stroke, Letter	AA	A	B	C	D	E	F	G	H
<b>Action -X Double Acting</b>									
B1	1.14	1.27	1.77	2.02	2.33	2.83	3.33	4.33	5.33
E1	.38	.44	.63	.63	.75	.75	.75	.75	.75
K1	.81	.94	1.44	1.69	2.00	2.50	3.00	4.00	5.00
Y1	.64	.64	.52	.52	.52	.52	.52	.52	.52
Z1	.64	.64	1.27	1.52	1.83	2.33	2.83	3.83	4.83
Weight, lb.	.60	.64	.93	1.06	1.19	1.43	1.66	2.14	2.60
<b>Action -XK Double Acting, Nonrotating</b>									
B2	1.27	1.40	1.90	2.15	2.46	2.96	3.46	4.46	5.46
E2	.38	.44	.63	.63	.75	.75	.75	.75	.75
K2	.94	1.06	1.57	1.82	2.13	2.63	3.13	4.13	5.13
Y2	.64	.64	.52	.52	.52	.52	.52	.52	.52
Z2	.64	.64	1.27	1.52	1.83	2.33	2.83	3.83	4.83
Weight, lb.	.68	.72	1.02	1.15	1.29	1.53	1.77	2.27	2.74
<b>Action -O Single Acting, Spring Retracted</b>									
B3	1.14	1.27	1.77	2.02	2.33	4.33	NA*	NA*	NA*
E3	.38	.44	.63	.63	.75	.75	NA*	NA*	NA*
K3	.81	.94	1.44	1.69	2.00	4.00	NA*	NA*	NA*
Y3	Rod End Face Vent					.52	NA*	NA*	NA*
Z3	.64	.77	1.27	1.52	1.83	3.83	NA*	NA*	NA*
Weight, lb.	.58	.63	.89	1.00	1.15	2.10	NA*	NA*	.95
Preload, lb.15.0	8.5	8.5	6.0	4.8	6.0	NA*	NA*	NA*	8.5
End of Stroke, lb.	20.0	20.0	20.0	18.0	20.0	18.0	NA*	NA*	NA*
<b>Action -OP Single Acting, Spring Extended</b>									
B4	1.65	1.89	2.64	3.14	3.83	NA*	NA*	NA*	NA*
E4	.38	.44	.63	.63	.75	NA*	NA*	NA*	NA*
K4	1.19	1.32	1.82	2.07	2.50	NA*	NA*	NA*	NA*
Y4	.77	.89	1.02	1.27	1.52	NA*	NA*	NA*	NA*
Z4	.77	.89	1.77	2.27	2.83	NA*	NA*	NA*	NA*
Weight, lb.	.81	.83	1.10	1.20	1.42	NA*	NA*	NA*	1.16
Preload, lb.8.5	4.5	5.5	4.0	4.8	NA*	NA*	NA*	NA*	4.5
End of Stroke, lb.	15.0	15.0	18.5	17.5	20.0	NA*	NA*	NA*	NA*

### "T" Series

Stroke, Inches	1/4	1/2	3/4	1 1/4	1 3/4	2 3/4	3 3/4
Stroke, Letter	TB	TC	TD	TE	TF	TG	TH
<b>Action -X Double Acting</b>							
B1	1.77	2.02	2.33	2.83	3.33	4.33	5.33
E1	.63	.63	.75	.75	.75	.75	.75
K1	1.44	1.69	2.00	2.50	3.00	4.00	5.00
Y1	.52	.52	.52	.52	.52	.52	.52
Z1	1.27	1.57	1.83	2.33	2.83	3.83	4.83
Weight, lb.	.99	1.12	1.25	1.49	1.72	2.20	2.66
<b>Action -XK Double Acting, Nonrotating</b>							
B2	1.90	2.15	2.46	2.96	3.46	4.46	5.46
E2	.63	.63	.75	.75	.75	.75	.75
K2	1.57	1.82	2.13	2.63	3.13	4.13	5.13
Y2	.52	.52	.52	.52	.52	.52	.52
Z2	1.27	1.57	1.83	2.33	2.83	3.83	4.83
Weight, lb.	1.08	1.21	1.35	1.59	1.83	2.83	3.80
<b>Action -O Single Acting, Spring Retracted</b>							
B3	1.77	2.02	2.33	4.33	NA*	NA*	NA*
E3	.63	.63	.75	.75	NA*	NA*	NA*
K3	1.44	1.69	2.00	4.00	NA*	NA*	NA*
Y3	Rod End Face Vent			.52	NA*	NA*	NA*
Z3	1.27	1.57	1.83	3.83	NA*	NA*	NA*
Weight, lb.	1.06	1.21	2.16	NA*	NA*	NA*	NA*
Preload, lb.15.0	8.5	6.0	7.06	NA*	NA*	NA*	NA*
End of Stroke, lb.	20.0	20.0	18.0	20.0	NA*	NA*	NA*
<b>Action -OP Single Acting, Spring Extended</b>							
B4	2.39	2.89	3.58	NA*	NA*	NA*	NA*
E4	.63	.63	.75	NA*	NA*	NA*	NA*
K4	1.82	2.07	2.50	NA*	NA*	NA*	NA*
Y4	.77	1.02	1.27	NA*	NA*	NA*	NA*
Z4	1.52	2.07	2.58	NA*	NA*	NA*	NA*
Weight, lb.	1.26	1.48	NA*	NA*	NA*	NA*	NA*
Preload, lb.8.5	5.5	4.0	NA*	NA*	NA*	NA*	NA*
End of Stroke, lb.	15.0	18.5	17.5	NA*	NA*	NA*	NA*





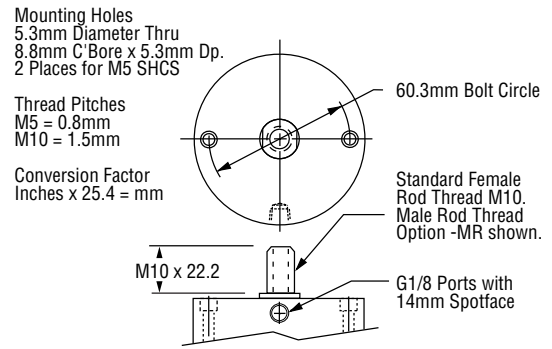
1

**Prefix Option -M Metric Cylinder & Rod Thread, 41.3mm Bore**  
Available on Original and "T" Series with Actions: -X, -XK, -O, -OP  
Also see *Option Information* on page 1.7.

Original Series									
Stroke mm	3.2	6.4	12.7	19.1	25.4	38.1	50.8	76.2	101.6
Stroke Letter	AA	A	B	C	D	E	F	G	H

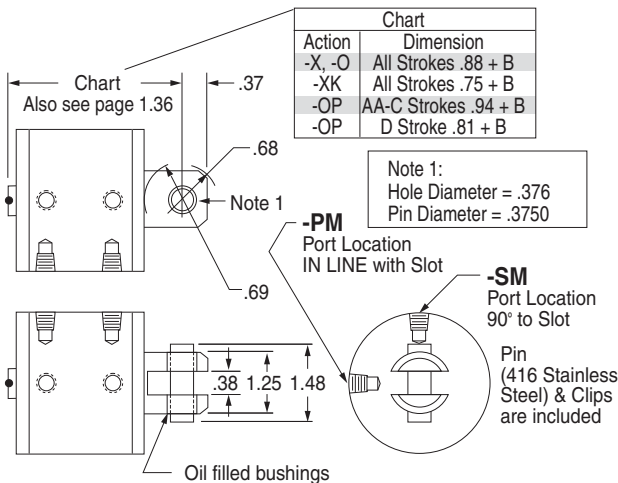
"T" Series							
Stroke mm	6.4	12.7	19.1	31.8	44.5	69.9	95.3
Stroke Letter	TB	TC	TD	TE	TF	TG	TH



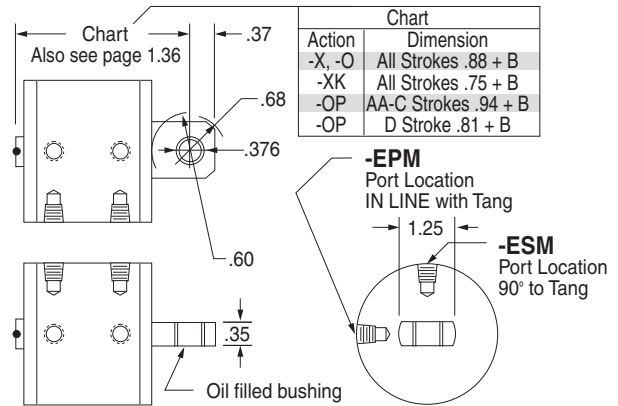
The **Suffix Options** charted on the right are available on Original and "T" Series with the Actions indicated (✓). They require no dimensional changes from the Standard Specifications on page 1.36. – Also see *Option Information* on pages 1.7 thru 1.15.

	T	V	Q	H	N	C1-C7	LF	LR	LFR	BF	BR	BFR	P14
-X	✓	✓	✓	✓	✓	✓	✓	✓	✓	✓	✓	✓	✓
-XK	NA	✓	✓	NA	✓	✓	NA	✓	NA	✓	✓	✓	✓
-O	NA	✓	✓	✓	✓	NA	NA	✓	NA	NA	✓	NA	✓
-OP	NA	✓	✓	✓	✓	✓	✓	✓	✓	✓	NA	NA	✓

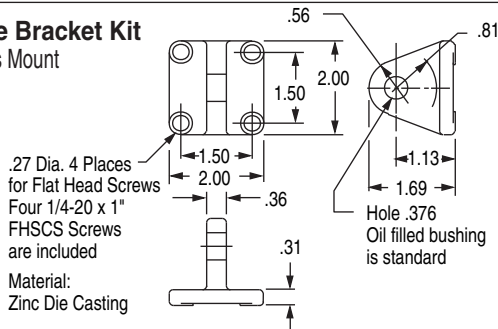
**Suffix Options -PM & -SM Clevis Mount**  
Available on Original and "T" Series  
with Actions: -X, -XK, -O, -OP  
Also see *Option Information* on page 1.13.



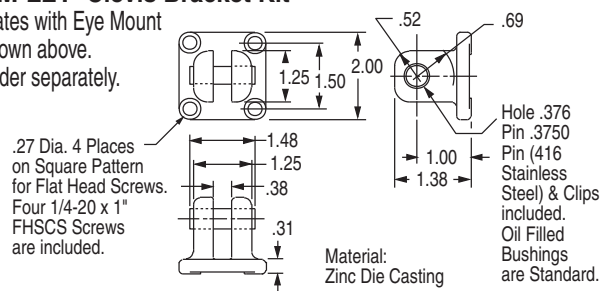
**Suffix Options -EPM & -ESM Eye Mount**  
Available on Original and "T" Series  
with Actions: -X, -XK, -O, -OP  
Also see *Option Information* on page 1.13.



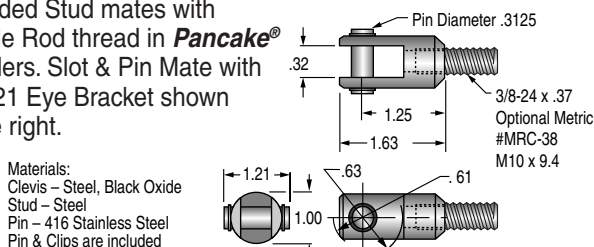
**EM-221 Eye Bracket Kit**  
Mates with Clevis Mount shown above.  
Order separately.



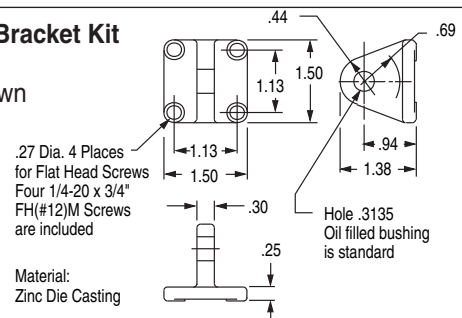
**PM-221 Clevis Bracket Kit**  
Mates with Eye Mount shown above.  
Order separately.



**RC-38 Rod Clevis and Pin**  
Threaded Stud mates with Female Rod thread in **Pancake®** Cylinders. Slot & Pin Mate with EM-121 Eye Bracket shown on the right.



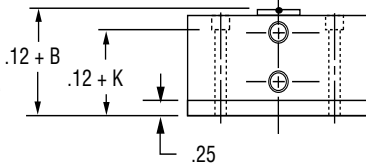
**EM-121 Eye Bracket Kit**  
Mates RC-38 Rod Clevis shown on the left.



### Suffix Options -HHC Hydraulic & -HC Air

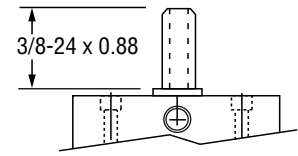
Available on Original and "T" Series with Action -X, -O.

Also see *Option Information* on page 1.9 for Pressure and Mounting details.



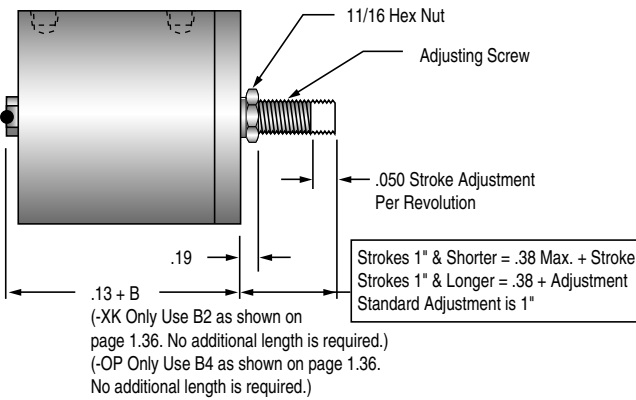
### Suffix Option -MR Male Rod Thread

Available on Original and "T" Series with Actions: -X, -XK, -O, -OP. Also see *Option Information* on page 1.8.



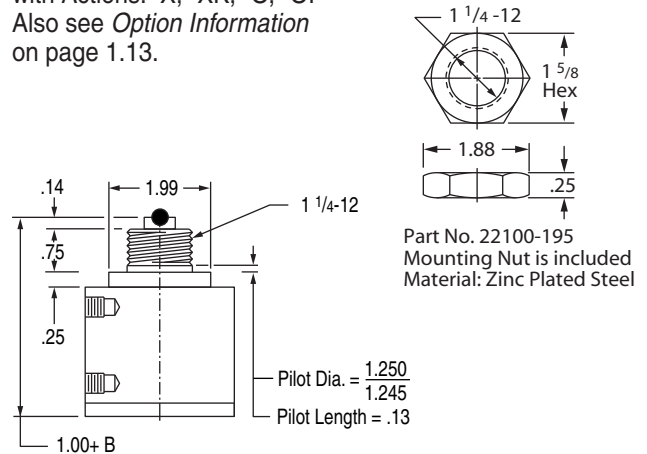
### Suffix Option -RS Adjustable Retract Stroke

Available on Original and "T" Series with Actions: -X, -XK, -O, -OP. Also see *Option Information* on page 1.11.



### Suffix Option -F Threaded Nose Mount

Available on Original and "T" Series with Actions: -X, -XK, -O, -OP. Also see *Option Information* on page 1.13.

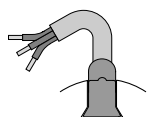


### Suffix Option -E Specifies Magnetic Piston and Dovetail Mounting Slot(s)

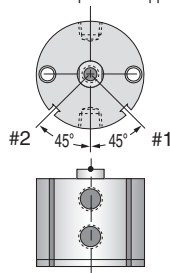
– Sensors Must be Ordered Separately  
See Sensor Models Available page 1.14

#### 1 5/8" (221) Bore

Sensors available for "A" & "TB" strokes and longer. Stroke A is ported on opposite sides.



1/4" 60° Dovetail Profile of Sensor & Mounting Slot.



Sensor Slots at Positions #1 and #2

Sensor Slot at Position #1 only

#### Quick Reference to Standard Strokes

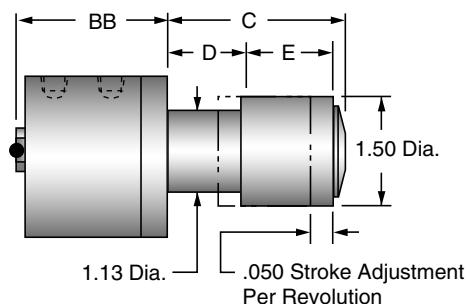
Use the appropriate Stroke Letter in the Model Number

Stroke	Available on Original Series		Available on "T" Series	
	Action X	Action XK	Stroke	Action X, XK
1/4	-----A-----	Not Available	1/4	-----TB
1/2	-----B-----	B	1/2	-----TC
3/4	-----C-----	C	3/4	-----TD
1	-----D-----	D		
1 1/2	-----E-----	E	1 1/4	-----TE
2	-----F-----	F	1 3/4	-----TF
3	-----G-----	G	2 3/4	-----TG
4	-----H-----	H	3 3/4	-----TH

### Suffix Option -AS Adjustable Extend Stroke

Available on Original Series with Actions: -X, -XK, -O. Also see *Option Information* on page 1.11.

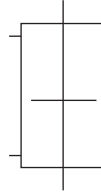
Stroke Inches	1/8	1/4	1/2	3/4	1	1-1/2	2	3	4
Stroke Letter	AA	A	B	C	D	E	F	G	H
Actions: -X, -XK	BB	1.61	1.74	2.24	2.49	2.80	3.30	3.80	4.80
Actions: -O	BB	1.61	1.74	2.24	2.49	2.80	4.80	NA	NA
	C	1.40	1.66	2.16	2.66	3.16	4.16	5.16	7.16
	D	0.63	0.75	1.00	1.25	1.50	2.00	2.50	3.50
	E	0.63	0.75	1.00	1.25	1.50	2.00	2.50	3.50



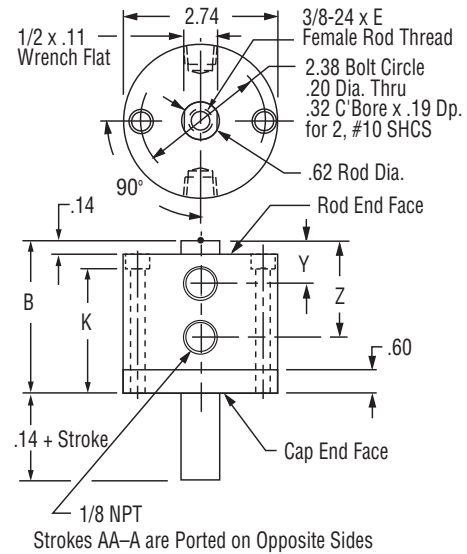
1

### Action –XDR Original Series Double Rod, Double Acting

See page 1.16 for  
Mounting Bolts  
Force Area = 1.76  
Seal Kit = 221-SK

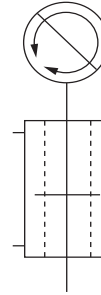


Stroke, Inches	1/8	1/4	1/2	3/4	1	1 1/2	2	3	4
Stroke, Letter	AA	A	B	C	D	E	F	G	H
B	1.61	1.74	2.24	2.49	2.80	3.30	3.80	4.80	5.80
E	.38	.44	.63	.63	.75	.75	.75	.75	.75
K	1.28	1.41	1.91	2.16	2.47	2.97	3.47	4.47	5.47
Y	.64	.64	.52	.52	.52	.52	.52	.52	.52
Z	.64	.64	1.27	1.52	1.83	2.33	2.83	3.83	4.83
Weight, lb.	.97	1.03	1.35	1.46	1.63	1.91	2.19	2.73	3.28

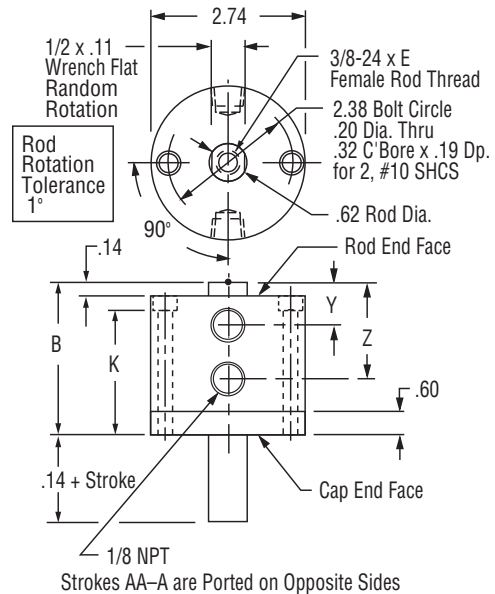


### Action –XDRK Original Series Double Rod, Double Acting, Nonrotating

See page 1.16 for  
Mounting Bolts  
Force Area = 1.70  
Seal Kit = 221-SK-K

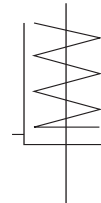


Stroke, Inches	1/8	1/4	1/2	3/4	1	1 1/2	2	3	4
Stroke, Letter	AA	A	B	C	D	E	F	G	H
B	1.61	1.74	2.24	2.49	2.80	3.30	3.80	4.80	5.80
E	.38	.44	.63	.63	.75	.75	.75	.75	.75
K	1.28	1.41	1.91	2.16	2.47	2.97	3.47	4.47	5.47
Y	.64	.64	.52	.52	.52	.52	.52	.52	.52
Z	.64	.64	1.27	1.52	1.83	2.33	2.83	3.83	4.83
Weight, lb.	1.05	1.11	1.44	1.55	1.73	2.01	2.30	2.86	3.42

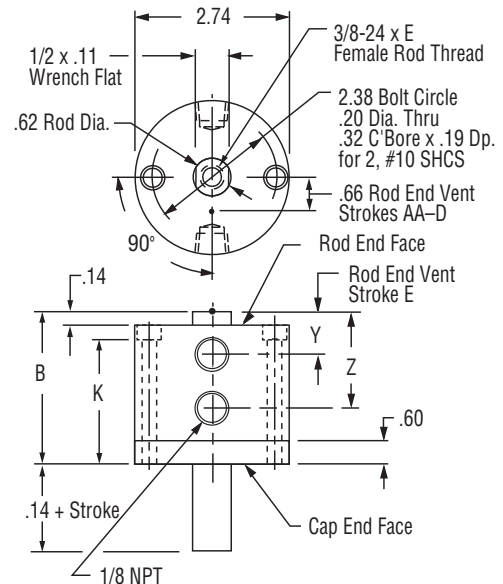


### Action –ODR Original Series Double Rod, Single Acting, Spring Retracted

See page 1.16 for  
Mounting Bolts  
Force Area = 1.76  
Seal Kit = 221-SK



Stroke, Inches	1/8	1/4	1/2	3/4	1	1 1/2
Stroke, Letter	AA	A	B	C	D	E
B	1.61	1.74	2.24	2.49	2.80	4.80
E	.38	.44	.63	.63	.75	.75
K	1.28	1.41	1.91	2.16	2.47	4.47
Y	Rod End Vent Face					.52
Z	.64	.77	1.27	1.52	1.83	3.83
Weight, lb.	.95	1.01	1.30	1.42	1.58	1.86
Spring Return Forces, lb.						
Preload	15.0	8.5	8.5	6.0	4.8	6.0
End of Stroke	20.0	20.0	20.0	18.0	20.0	18.0



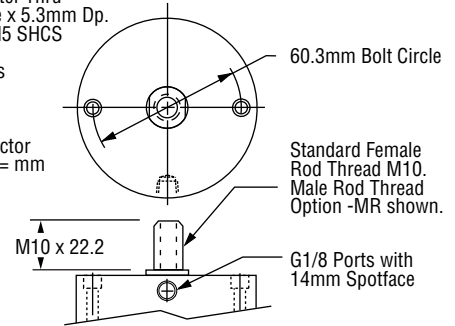
### Prefix Option -M Metric Cylinder & Rod Thread, 41.3mm Bore

Available on Original Series with Actions: -XDR, -XDRK, -ODR  
Also see *Option Information* on page 1.7.

Mounting Holes  
5.3mm Diameter Thru  
8.8mm C' Bore x 5.3mm Dp.  
2 Places for M5 SHCS

Thread Pitches  
M5 = 0.8mm  
M10 = 1.5mm

Conversion Factor  
Inches x 25.4 = mm



Stroke mm	3.2	6.4	12.7	19.1	25.4	38.1	50.8	76.2	101.6
Stroke Letter	AA	A	B	C	D	E	F	G	H

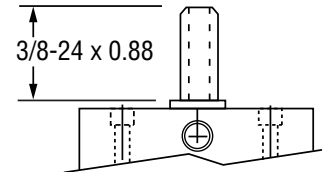
The **Suffix Options** charted on the right are available on Original Series with the Actions indicated (✓). They require no dimensional changes from the Standard Specifications on page 1.39. – Also see *Option Information* on pages 1.7 thru 1.15.

	T	V	Q	H	N	C1-C7	LF	LR	LFR	BF	BR	BFR	P14	13	25
-XDR	✓	✓	✓	✓	✓	✓	✓	✓	✓	✓	✓	✓	✓	✓	✓
-XDRK	NA	✓	✓	NA	✓	✓	NA	✓	NA	✓	✓	✓	✓	✓	✓
-ODR	NA	✓	✓	✓	✓	NA	NA	✓	NA	NA	✓	NA	✓	✓	✓

### Suffix Options -MR, -MR1, -MR2 Male Rod Thread

Available on Original Series with Actions -XDR, -XDRK, -ODR.

- For Rod End only use –MR
- For Cap End only use –MR1
- For Both Ends –MR2



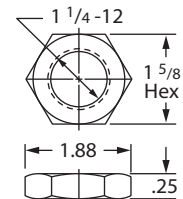
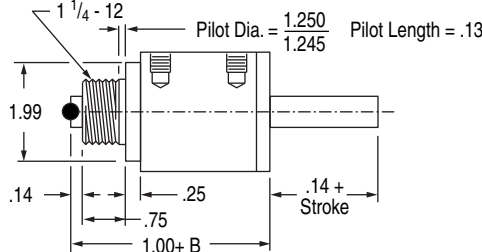
Also see *Option Information* on Page 1.8.

### Suffix Options -F, -F1, -F2 Threaded Nose Mount

Available on Original Series with Actions -XDR, -XDRK, -ODR.

- For Rod End only use –F
- For Cap End only use –F1
- For Both Ends use –F2

Also see *Option Information* on page 1.13.



Part No. 22100-195  
Mounting Nut is included  
Material: Zinc Plated Steel

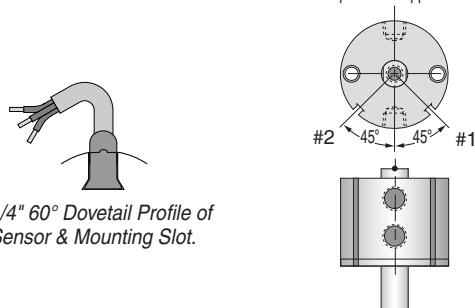
### Suffix Option -E Specifies Magnetic Piston and Dovetail Mounting Slot(s)

Strokes are NOT affected by magnetic piston.

– Sensors Must be Ordered Separately  
See Sensor Models Available page 1.14

#### 1 5/8" (221) Bore

Sensors available for "A" strokes and longer.  
Stroke A is ported on opposite sides.



1/4" 60° Dovetail Profile of Sensor & Mounting Slot.

**Quick Reference to Standard Strokes**  
Use the appropriate Stroke Letter in the Model Number

#### Available on Original Series

Stroke	Action	
	XDR	XDRK
Sensor Slots at Positions #1 and #2	1/4 -----	A ----- Not Available
	1/2 -----	B ----- B
	3/4 -----	C ----- C
	1 -----	D ----- D
Sensor Slot at Position #1 only	1 1/2 -----	E ----- E
	2 -----	F ----- F
	3 -----	G ----- G
	4 -----	H ----- H

1

**Model Number Code**

Prefix Options

Leave blank if none desired

Stroke

Bore

Action

Suffix Options

**D**

**321**

**X**

**MR**

**Metric M**  
See pages 1.7, 1.43 & 1.46

Bore	Code
2"	321
50.8mm	321

Standard Strokes			
Original Series			
Action	X XK XDR XDRK	O ODR	OP
Stroke			
1/8	AB	AB	AB
1/4	AA	AA	AA
3/8	A	A	A
1/2	B	B	B
3/4	C	C	C
1	D	D	D
1 1/2	E	E	-
2	F	-	-
3	G	-	-
4	H	-	-

**"T" Series**  
Includes PTFE piston bearing

Action	X XK	O	OP
Stroke			
1/8	TA	TA	TA
1/4	TB	TB	TB
1/2	TC	TC	TC
3/4	TD	TD	TD
1 1/4	TE	TE	-
1 3/4	TF	-	-
2 3/4	TG	-	-
3 3/4	TH	-	-

Grey shading indicates sensors are not available.

Strokes are NOT affected by magnetic piston Option "E"

Action	
<b>Single rod</b>	
Double acting	-X
Double acting, Nonrotating	
Internal guide pins - 150 psi max	-XK
Single acting, spring retracted	-O
Single acting, spring extended	-OP
<b>Double rod</b>	
Double acting	-XDR
Double acting, Nonrotating	
Internal guide pins - 150 psi max	-XDRK
Single acting, spring retracted	-ODR

See pages 1.5 & 1.6 for Action Information.  
See pages 1.42 & 1.45 for Standard Specifications

Suffix Options	
Male rod thread: Single rod	-MR
Double rod, rod end	-MR
Double rod, cap end	-MR1
Double rod, both ends	-MR2
PTFE seals	-T
Viton seals	-V
Quad seals	-Q
External guide, nonrotating for load guiding (See page 1.65)	-G
Hydraulic:	
Standard cover	-H
Thick cover	-HHC
Air service: Thick cover	-HC
1/4 NPT ports	-P14
Hole thru double rod shaft: 5/16" hole	-16
Plus size 5/32" hole	-31
150 psi max	
Finish: ProCoat™ (Electroless Nickel)	-N
Stroke collar:	
1/4"	1/8" -C1
1/2"	3/8" -C3
3/4"	5/8" -C5
	7/8" -C7
Sound limiters:	
Rod end	-LF
Cap end	-LR
Both ends	-LFR
Rubber Bumpers:	
Rod end	-BF
Cap end	-BR
Both ends	-BFR
Adjustable extend stroke (Full stroke adjustment is standard)	-AS
Adjustable retract stroke (Over 1" adjustment add desired length, e.g. -RS2)	-RS
Clevis mount: Ports in-line with slot	-PM
Ports 90° to slot	-SM
Eye mount: Ports in-line with tang	-EPM
Ports 90° to tang	-ESM
Magnetic piston & sensor mounting slot(s)	-E
Order sensors separately. See page 1.14. Stroke length determines number of mounting slots. See page 1.14, 1.44, 1.46	

See pages 1.3 – 1.15 for general option information and pages 1.43, 1.44 & 1.46 for option specifications of 2" bore models.

### HOW TO ORDER

- Under **Stroke** – select letter(s) for desired Series and Stroke.
  - Under **Bore** – select **321** for 2" bore.  
**Seven Other Bore Sizes are Available**
- | Bore   | Bore Code | See page |
|--------|-----------|----------|
| 1/8"   | 5         | 1.17     |
| 3/8"   | 7         | 1.23     |
| 1 1/8" | 121       | 1.29     |
| 1 5/8" | 221       | 1.35     |
| 2 1/8" | 521       | 1.47     |
| 3"     | 721       | 1.53     |
| 4"     | 1221      | 1.59     |
- Under **Action** – select letter(s) for desired action.
  - Under **Prefix & Suffix Options** – select letter(s) for desired options and add to model number.

### EXAMPLES

#### B-321-X

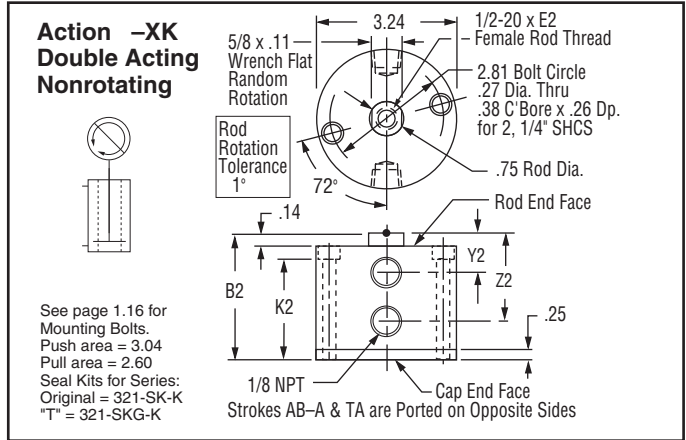
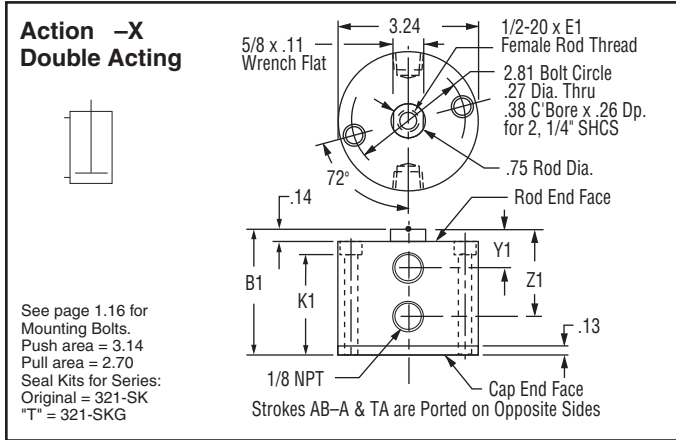
Original Series, 1/2" stroke - 2" Bore - Single Rod, Double Acting

#### TD-321-X-MR

"T" Series, 3/4" Stroke - 2" Bore - Single Rod, Double Acting - Male Rod Thread

A complete library of cylinder CAD drawings is available from your local Fabco-Air Distributor or from the Fabco-Air web site – <http://www.fabco-air.com>

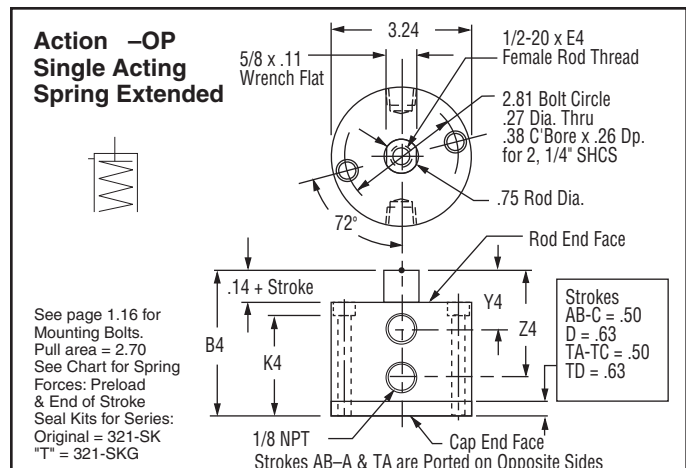
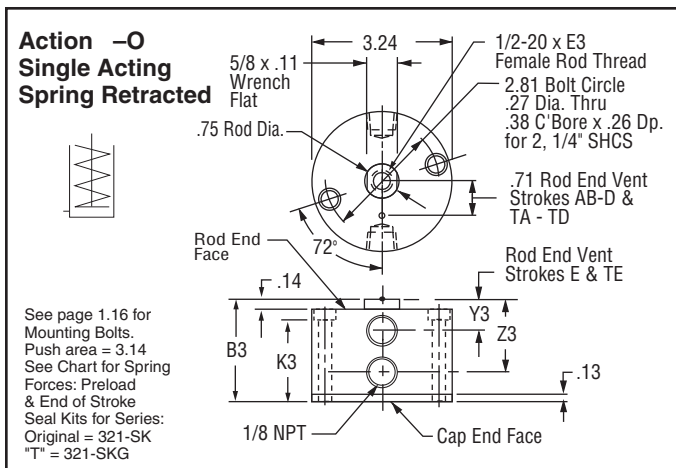




### Original Series

### "T" Series

Stroke, Inches	1/8	1/4	3/8	1/2	3/4	1	1 1/2	2	3	4	1/8	1/4	1/2	3/4	1 1/4	1 3/4	2 3/4	3 3/4		
Stroke, Letter	AB	AA	A	B	C	D	E	F	G	H	TA	TB	TC	TD	TE	TF	TG	TH		
<b>Action -X Double Acting</b>										<b>Action -X Double Acting</b>										
B1	1.20	1.33	1.45	1.64	2.02	2.39	2.89	3.39	4.39	5.39	1.45	1.64	2.02	2.39	2.89	3.39	4.39	5.39		
E1	.40	.50	.63	.63	.75	.88	.88	.88	.88	.88	.63	.63	.75	.88	.88	.88	.88	.88		
K1	.80	.93	1.05	1.24	1.62	1.99	2.49	2.99	3.99	4.99	1.05	1.24	1.62	1.99	2.49	2.99	3.99	4.99		
Y1	.52	.52	.52	.52	.52	.52	.52	.52	.52	.52	.52	.52	.52	.52	.52	.52	.52	.52		
Z1	.70	.83	.95	1.14	1.52	1.89	2.39	2.89	3.89	4.89	.95	1.14	1.52	1.89	2.39	2.89	3.89	4.89		
Weight, lb.	.89	.96	1.04	1.16	1.45	1.70	2.02	2.34	2.97	3.58	1.10	1.30	1.56	1.84	2.16	2.48	3.11	3.71		
<b>Action -XK Double Acting, Nonrotating</b>										<b>Action -XK Double Acting, Nonrotating</b>										
B2	1.33	1.46	1.58	1.77	2.15	2.52	3.02	3.52	4.52	5.52	1.58	1.77	2.15	2.52	3.02	3.52	4.52	5.52		
E2	.40	.50	.63	.63	.75	.88	.88	.88	.88	.88	.63	.63	.75	.88	.88	.88	.88	.88		
K2	.93	1.06	1.18	1.37	1.75	2.12	2.62	3.12	4.12	5.12	1.18	1.37	1.75	2.12	2.62	3.12	4.12	5.12		
Y2	.52	.52	.52	.52	.52	.52	.52	.52	.52	.52	.52	.52	.52	.52	.52	.52	.52	.52		
Z2	.70	.83	.95	1.14	1.52	1.89	2.39	2.89	3.89	4.89	.95	1.14	1.52	1.89	2.39	2.89	3.89	4.89		
Weight, lb.	1.02	1.09	1.18	1.30	1.60	1.85	2.19	2.52	3.18	3.82	1.24	1.44	1.71	2.00	2.33	2.66	3.32	3.95		
<b>Action -O Single Acting, Spring Retracted</b>										<b>Action -O Single Acting, Spring Retracted</b>										
B3	1.20	1.33	1.45	1.64	2.02	2.39	4.39	NA*	NA*	NA*	1.45	1.64	2.02	2.39	4.39	NA*	NA*	NA*		
E3	.40	.50	.63	.63	.75	.88	.88	NA*	NA*	NA*	.63	.63	.75	.88	.88	NA*	NA*	NA*		
K3	.80	.93	1.05	1.24	1.62	1.99	3.99	NA*	NA*	NA*	1.05	1.24	1.62	1.99	3.99	NA*	NA*	NA*		
Y3	Rod End Face Vent						.52	NA*	NA*	NA*	Rod End Face Vent						.52	NA*	NA*	NA*
Z3	.70	.83	.95	1.14	1.52	1.89	3.89	NA*	NA*	NA*	.95	1.14	1.52	1.89	3.89	NA*	NA*	NA*		
Weight, lb.	.85	.97	1.01	1.13	1.36	1.61	3.11	NA*	NA*	NA*	1.13	1.36	1.61	3.25	NA*	NA*	NA*	NA*		
Preload, lb.12.0	6.2	12.0	7.0	5.0	4.7	5.0	NA*	NA*	NA*	11.3	7.3	6.2	7.6	4.8	NA*	NA*	NA*	NA*		
End of Stroke, lb.	18.0	18.0	21.0	20.0	15.5	20.0	20.0	NA*	NA*	NA*	21.0	20.0	15.5	20.0	20.0	NA*	NA*	NA*		
<b>Action -OP Single Acting, Spring Extended</b>										<b>Action -OP Single Acting, Spring Extended</b>										
B4	1.71	1.96	2.21	2.52	3.14	3.89	NA*	NA*	NA*	NA*	1.96	2.27	2.89	3.61	NA*	NA*	NA*	NA*		
E4	.40	.50	.63	.63	.75	.88	NA*	NA*	NA*	NA*	.63	.63	.75	.88	NA*	NA*	NA*	NA*		
K4	1.18	1.30	1.43	1.62	1.99	2.49	NA*	NA*	NA*	NA*	1.43	1.62	1.99	2.49	NA*	NA*	NA*	NA*		
Y4	.65	.77	.90	1.02	1.27	1.52	NA*	NA*	NA*	NA*	.65	.77	1.02	1.25	NA*	NA*	NA*	NA*		
Z4	.83	1.08	1.33	1.64	2.27	2.89	NA*	NA*	NA*	NA*	1.08	1.33	1.64	2.27	NA*	NA*	NA*	NA*		
Weight, lb.1.22	1.29	1.36	1.49	1.76	2.13	NA*	NA*	NA*	NA*	1.50	1.63	1.89	2.26	NA*	NA*	NA*	NA*	NA*		
Preload, lb.8.5	4.5	9.5	7.0	6.0	4.7	NA*	NA*	NA*	NA*	10.7	7.0	6.0	4.7	NA*	NA*	NA*	NA*	NA*		
End of Stroke, lb.	15.0	15.0	20.0	20.0	18.0	20.0	NA*	NA*	NA*	NA*	18.0	20.0	18.0	20.0	NA*	NA*	NA*	NA*		



### Prefix Option -M Metric Cylinder & Rod Thread, 50.8mm Bore

Available on Original and "T" Series with Actions: -X, -XK, -O, -OP  
Also see *Option Information* on page 1.7.

Original Series										
Stroke mm	3.2	6.4	9.5	12.7	19.1	25.4	38.1	50.8	76.2	101.6
Stroke Letter	AB	AA	A	B	C	D	E	F	G	H

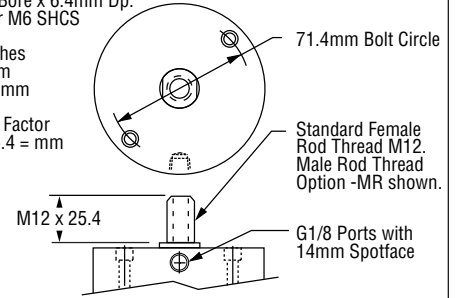
  

"T" Series										
Stroke mm	3.2	6.4	12.7	19.1	31.8	44.5	69.9	95.3		
Stroke Letter	TA	TB	TC	TD	TE	TF	TG	TH		

Mounting Holes  
6.7mm Diameter Thru  
10.3mm C Bore x 6.4mm Dp.  
2 Places for M6 SHCS

Thread Pitches  
M6 = 1.0mm  
M12 = 1.75mm

Conversion Factor  
Inches x 25.4 = mm



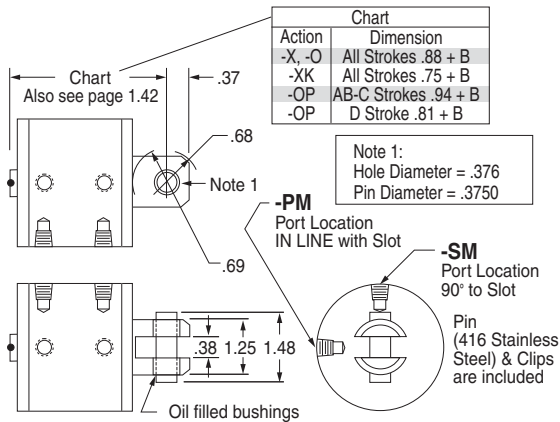
The **Suffix Options** charted on the right are available on Original and "T" Series with the Actions indicated (✓). They require no dimensional changes from the Standard Specifications on page 1.42.  
- Also see *Option Information* on pages 1.7 thru 1.15.

	T	V	Q	H	N	C1-C7	LF	LR	LFR	BF	BR	BFR	P14
-X	✓	✓	✓	✓	✓	✓	✓	✓	✓	✓	✓	✓	✓
-XK	NA	✓	✓	NA	✓	✓	NA	✓	NA	✓	✓	✓	✓
-O	NA	✓	✓	✓	✓	NA	NA	✓	NA	NA	NA	NA	✓
-OP	NA	✓	✓	✓	✓	✓	✓	✓	✓	✓	NA	NA	✓

### Suffix Options -PM & -SM Clevis Mount

Available on Original and "T" Series  
with Actions: -X, -XK, -O, -OP

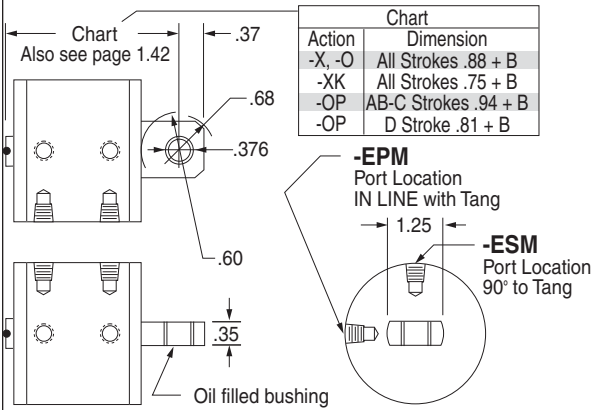
Also see *Option Information* on page 1.13.



### Suffix Options -EPM & -ESM Eye Mount

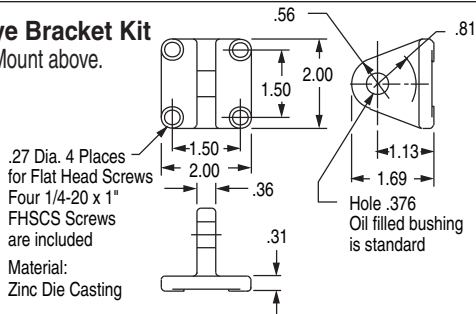
Available on Original and "T" Series  
with Actions: -X, -XK, -O, -OP

Also see *Option Information* on page 1.13.



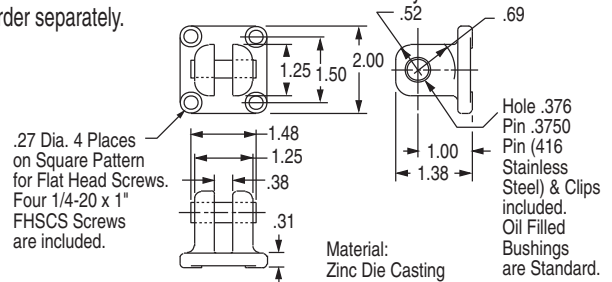
### EM-221 Eye Bracket Kit

Mates with Clevis Mount above.  
Order separately.

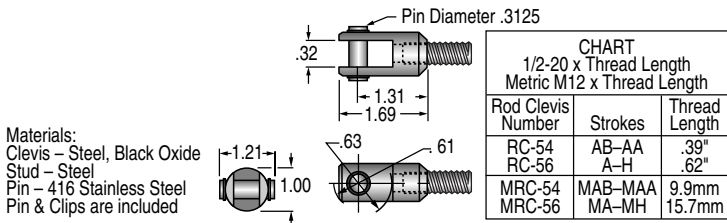


### PM-221 Clevis Bracket Kit Mates with Eye Mount above.

Order separately.

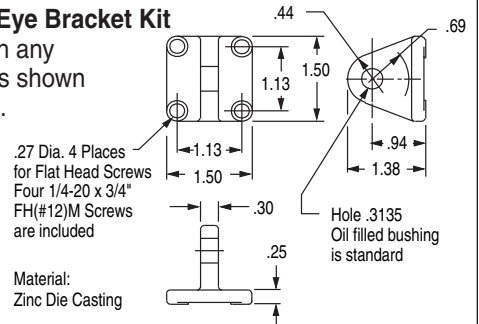


**RC-Chart Rod Clevis and Pin Threaded Stud** mates with Female Rod thread in the **Pancake®** Cylinders. Slot and Pin Mate with EM-121 Eye Bracket shown on the right.



### EM-121 Eye Bracket Kit

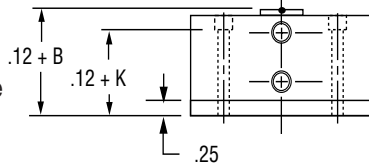
Mates with any Rod Clevis shown on the left.



### Suffix Option -HHC Hydraulic & -HC Air

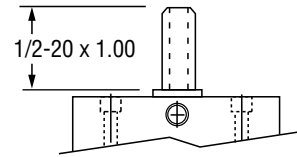
Available on Original and "T" Series with Action -X, -O.

Also see *Option Information* on page 1.9 for Pressure and Mounting details.



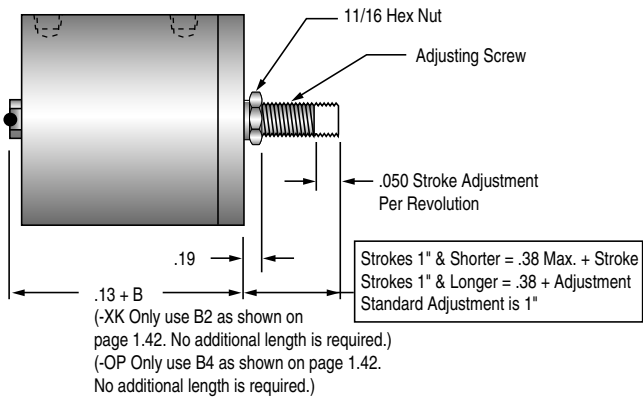
### Suffix Option -MR Male Rod Thread

Available on Original and "T" Series with Actions: -X, -XK, -O, -OP. Also see *Option Information* on page 1.8.



### Suffix Option -RS Adjustable Retract Stroke

Available on Original and "T" Series with Actions: -X, -XK, -O, -OP. Also see *Option Information* on page 1.11.



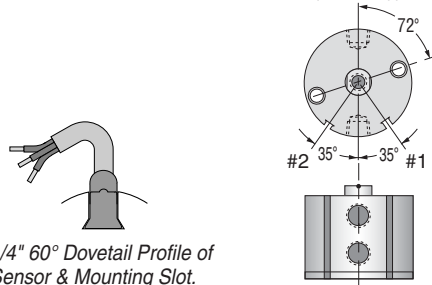
### Suffix Option -E Specifies Magnetic Piston and Dovetail Mounting Slot(s)

Strokes are NOT affected by magnetic piston.

**– Sensors Must be Ordered Separately**  
See Sensor Models Available page 1.14

#### 2" (321) Bore

Sensors available for "AA" & "TA" strokes and longer. Strokes AA – A and TA are ported on opposite sides.



#### Quick Reference to Standard Strokes

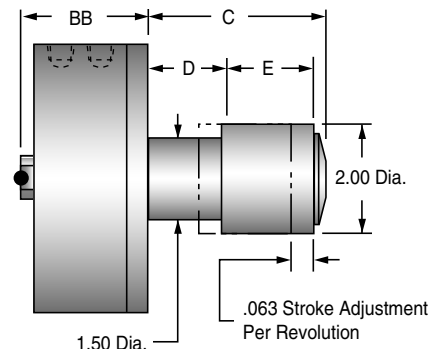
Use the appropriate Stroke Letter in the Model Number

	Available on Original Series		Available on "T" Series	
	Stroke	Action X, XK	Stroke	Action X, XK
Sensor Slots at Positions #1 and #2	1/4	AA	1/8	TA
	3/8	A	1/4	TB
	1/2	B	1/2	TC
	3/4	C	3/4	TD
	1	D		
Sensor Slot at Position #1 only	1 1/2	E	1 1/4	TE
	2	F	1 3/4	TF
	3	G	2 3/4	TG
	4	H	3 3/4	TH

### Suffix Option -AS Adjustable Extend Stroke

Available on Original Series with Actions: -X, -XK, -O. Also see *Option Information* on page 1.11.

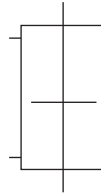
Stroke Inches	1/8	1/4	3/8	1/2	3/4	1	1-1/2	2	3	4	
Stroke Letter	AB	AA	A	B	C	D	E	F	G	H	
Actions: -X, -XK	BB	1.83	1.95	2.08	2.27	2.64	3.02	3.52	4.02	5.02	6.02
Actions: -O	BB	1.83	1.95	2.08	2.27	2.64	3.02	5.02	NA	NA	NA
C	1.67	1.91	2.17	2.41	2.91	3.41	4.41	5.41	7.41	9.41	
D	0.63	0.75	0.88	1.00	1.25	1.50	2.00	2.50	3.50	4.50	
E	0.88	1.00	1.13	1.25	1.50	1.75	2.25	2.75	3.75	4.75	



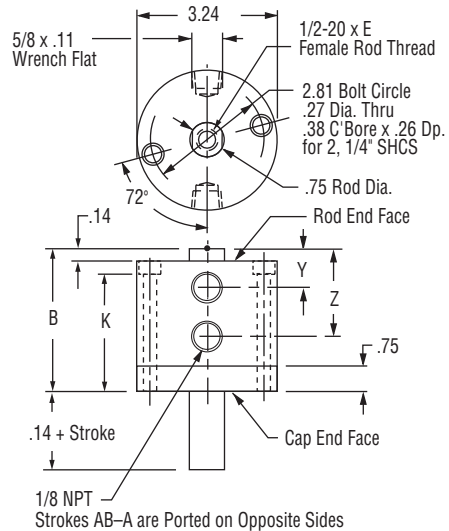
1

### Action -XDR Original Series Double Rod, Double Acting

See page 1.16 for  
Mounting Bolts  
Force Area = 2.70  
Seal Kit = 321-SK

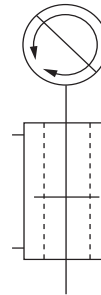


Stroke, Inches	1/8	1/4	3/8	1/2	3/4	1	1-1/2	2	3	4
Stroke, Letter	AB	AA	A	B	C	D	E	F	G	H
B	1.83	1.95	2.08	2.27	2.64	3.02	3.52	4.02	5.02	6.02
E	.40	.50	.63	.63	.75	.88	.88	.88	.88	.88
K	1.44	1.56	1.69	1.89	2.25	2.63	3.13	3.63	4.63	5.63
Y	.52	.52	.52	.52	.52	.52	.52	.52	.52	.52
Z	.70	.83	.95	1.14	1.52	1.89	2.39	2.89	3.89	4.89
Weight, lb.	1.56	1.64	1.72	1.86	2.15	2.44	2.80	3.18	3.94	4.72

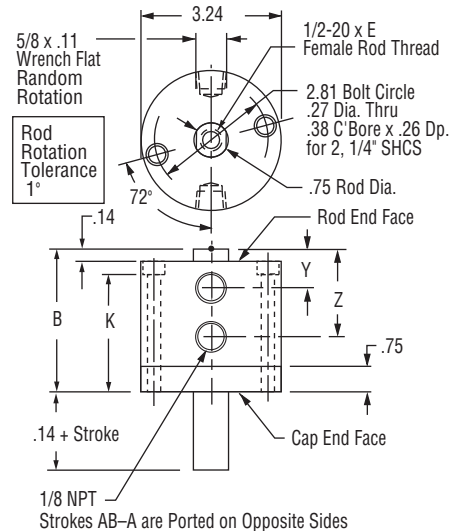


### Action -XDRK Original Series Double Rod, Double Acting, Nonrotating

See page 1.16 for  
Mounting Bolts  
Force Area = 2.60  
Seal Kit = 321-SK-K

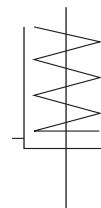


Stroke, Inches	1/8	1/4	3/8	1/2	3/4	1	1-1/2	2	3	4
Stroke, Letter	AB	AA	A	B	C	D	E	F	G	H
B	1.83	1.95	2.08	2.27	2.64	3.02	3.52	4.02	5.02	6.02
E	.40	.50	.63	.63	.75	.88	.88	.88	.88	.88
K	1.44	1.56	1.69	1.89	2.25	2.63	3.13	3.63	4.63	5.63
Y	.52	.52	.52	.52	.52	.52	.52	.52	.52	.52
Z	.70	.83	.95	1.14	1.52	1.89	2.39	2.89	3.89	4.89
Weight, lb.	1.70	1.78	1.87	2.01	2.31	2.61	2.98	3.37	4.16	4.97

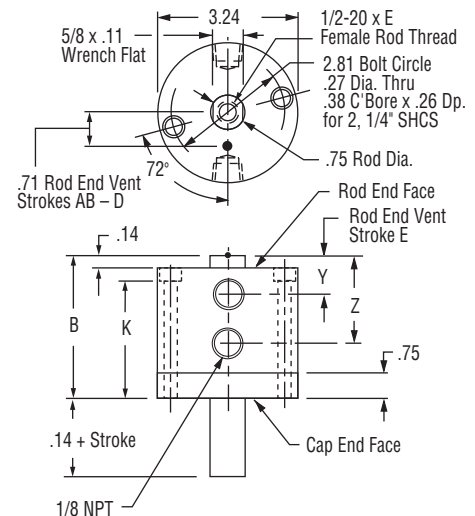


### Action -ODR Original Series Double Rod, Single Acting, Spring Retracted

See page 1.16 for  
Mounting Bolts  
Force Area = 2.70  
Seal Kit = 321-SK



Stroke, Inches	1/8	1/4	3/8	1/2	3/4	1	1-1/2	
Stroke, Letter	AB	AA	A	B	C	D	E	
B	1.83	1.95	2.08	2.27	2.64	3.02	5.02	
E	.40	.50	.63	.63	.75	.88	.88	
K	1.44	1.56	1.69	1.89	2.25	2.63	4.63	
Y	Rod End Face Vent						.52	
Z	.70	.83	.95	1.14	1.52	1.89	3.89	
Weight, lb.	1.51	1.60	1.69	1.81	2.10	2.39	4.16	
Spring Return Forces, lb.								
Preload	12.0	6.2	12.0	7.0	5.0	4.7	5.0	
End of Stroke	18.0	18.0	21.0	20.0	15.5	20.0	20.0	



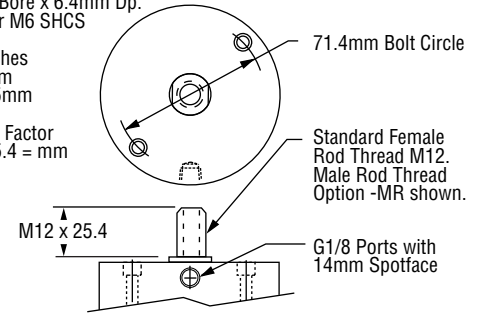
### Prefix Option -M Metric Cylinder & Rod Thread, 50.8mm Bore

Available on Original Series with Actions: -XDR, -XDRK, -ODR  
Also see *Option Information* on page 1.7.

Mounting Holes  
6.7mm Diameter Thru  
10.3mm C' Bore x 6.4mm Dp.  
2 Places for M6 SHCS

Thread Pitches  
M6 = 1.0mm  
M12 = 1.75mm

Conversion Factor  
Inches x 25.4 = mm



Stroke mm	3.2	6.4	9.5	12.7	19.1	25.4	38.1	50.8	76.2	101.6
Stroke Letter	AB	AA	A	B	C	D	E	F	G	H

The **Suffix Options** charted on the right are available on Original Series with the Actions indicated (✓). They require no dimensional changes from the Standard Specifications on page 1.45. – Also see *Option Information* on pages 1.7 thru 1.15.

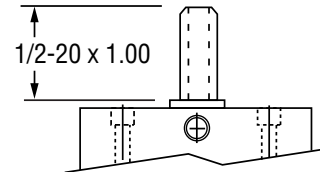
	T	V	Q	H	N	C1-C7	LF	LR	LFR	BF	BR	BFR	P14	16	31
-XDR	✓	✓	✓	✓	✓	✓	NA	✓	NA	✓	✓	✓	✓	✓	✓
-XDRK	NA	✓	✓	NA	✓	✓	NA	✓	NA	✓	✓	✓	✓	✓	✓
-ODR	NA	✓	✓	✓	✓	NA	NA	✓	NA	NA	✓	NA	✓	✓	✓

### Suffix Options -MR, -MR1, -MR2 Male Rod Thread

Available on Original Series with Actions -XDR, -XDRK, -ODR.

- For Rod End only use –MR
- For Cap End only use –MR1
- For Both Ends –MR2

Also see *Option Information* on Page 1.8



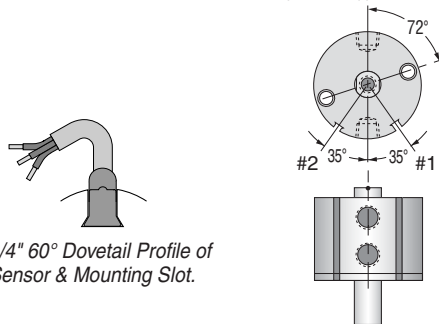
### Suffix Option -E Specifies Magnetic Piston and Dovetail Mounting Slot(s)

Strokes are NOT affected by magnetic piston.

**– Sensors Must be Ordered Separately**  
See *Sensor Models Available page 1.14*

#### 2" (321) Bore

Sensors available for "AA" strokes and longer. Strokes AA – A are ported on opposite sides.



1/4" 60° Dovetail Profile of Sensor & Mounting Slot.

**Quick Reference to Standard Strokes**  
Use the appropriate Stroke Letter in the Model Number

#### Available on Original Series

	Stroke	Action XDR, XDRK
Sensor Slots at Positions #1 and #2	1/4 -----	AA
	3/8 -----	A
	1/2 -----	B
	3/4 -----	C
	1 -----	D
Sensor Slot at Position #1 only	1 1/2 -----	E
	2 -----	F
	3 -----	G
	4 -----	H



# Pancake® Cylinders 2 1/2" (521) Bore Model Number

1

**Model Number Code**

Prefix Options

Leave blank if none desired

Stroke

Bore

Action

Suffix Options

**C** – **521** – **X** – **MR**

**Metric M**  
See pages 1.7, 1.49 & 1.52

**Bore Code**  
2 1/2" 521  
63.5mm 521

Standard Strokes			
Original Series			
Action	X XK XDR XDRK	O ODR	OP
Stroke			
1/8	AB	AB	AB
1/4	AA	AA	AA
1/2	A	A	A
3/4	B	B	B
1	C	C	C
1 1/2	D	D	–
2	E	–	–
3	F	–	–
4	G	–	–

**"T" Series**  
Includes PTFE piston bearing

Action	X XK	O	OP
Stroke			
1/4	TA	TA	TA
1/2	TB	TB	TB
3/4	TC	TC	TC
1 1/4	TD	TD	–
1 3/4	TE	–	–
2 3/4	TF	–	–
3 3/4	TG	–	–

Grey shading indicates sensors are not available.

Strokes are NOT affected by magnetic piston Option "E"

Action	
<b>Single rod</b>	
Double acting	-X
Double acting, Nonrotating	
Internal guide pins - 150 psi max	-XK
Single acting, spring retracted	-O
Single acting, spring extended	-OP
<b>Double rod</b>	
Double acting	-XDR
Double acting, Nonrotating	
Internal guide pins - 150 psi max	-XDRK
Single acting, spring retracted	-ODR

See pages 1.5 & 1.6 for Action Information.  
See pages 1.48 & 1.51 for Standard Specifications

Suffix Options	
Male rod thread: Single rod	-MR
Double rod, rod end	-MR
Double rod, cap end	-MR1
Double rod, both ends	-MR2
PTFE seals	-T
Viton seals	-V
Quad seals	-Q
External guide, nonrotating for load guiding (See page 1.65)	-G
Hydraulic:	
Standard cover	-H
Thick cover	-HHC
Air service:	
Thick cover	-HC
1/4 NPT ports	-P14
Hole thru double rod shaft: 5/32" hole	-16
Plus size: 1/4" hole	-25
150 psi max	
Finish: ProCoat™ (Electroless Nickel)	-N
Stroke collar:	
1/4" 1/8"	-C1
3/8"	-C3
1/2" 5/8"	-C5
3/4" 7/8"	-C7
Sound limiters:	
Rod end	-LF
Cap end	-LR
Both ends	-LFR
Rubber Bumpers:	
Rod end	-BF
Cap end	-BR
Both ends	-BFR
Adjustable extend stroke (Full stroke adjustment is standard)	-AS
Adjustable retract stroke (Over 1" adjustment add desired length, e.g. -RS2)	-RS
Clevis mount: Ports in-line with slot	-PM
Ports 90° to slot	-SM
Magnetic piston & sensor mounting slot(s)	-E
Order sensors separately. See page 1.14. Stroke length determines number of mounting slots. See page 1.14, 1.50, 1.52	

See pages 1.3 – 1.15 for general option information and pages 1.49, 1.50 & 1.52 for option specifications of 2 1/2" bore models.

## HOW TO ORDER

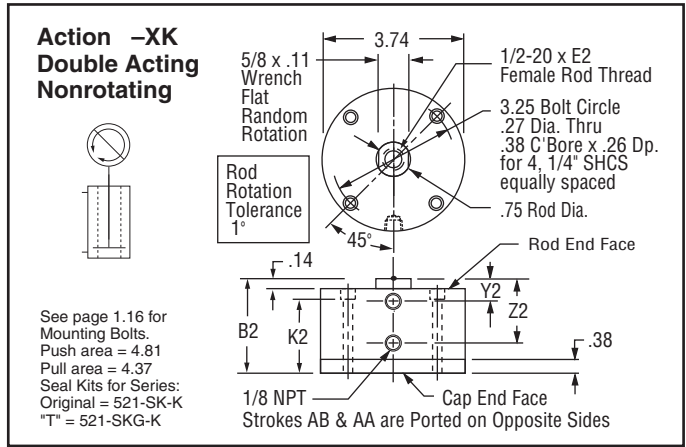
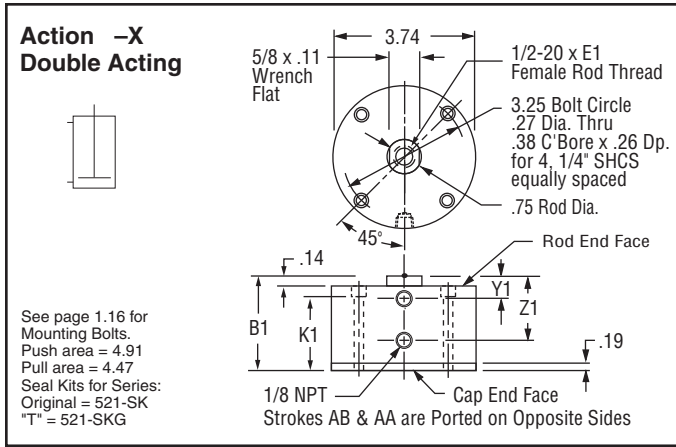
- Under **Stroke** – select letter(s) for desired Series and Stroke.
  - Under **Bore** – select **521** for 2 1/2" bore.  
**Seven Other Bore Sizes are Available**
- | Bore   | Bore Code | See page |
|--------|-----------|----------|
| 1/8"   | 5         | 1.17     |
| 3/4"   | 7         | 1.23     |
| 1 1/8" | 121       | 1.29     |
| 1 5/8" | 221       | 1.35     |
| 2"     | 321       | 1.41     |
| 3"     | 721       | 1.53     |
| 4"     | 1221      | 1.59     |
- Under **Action** – select letter(s) for desired action.
  - Under **Prefix & Suffix Options** – select letter(s) for desired options and add to model number.

## EXAMPLES

**A-521-X**  
Original Series, 1/2" stroke - 2 1/2" Bore - Single Rod, Double Acting

**TC-521-X-MR**  
"T" Series, 3/4" Stroke - 2 1/2" Bore - Single Rod, Double Acting - Male Rod Thread

A complete library of cylinder CAD drawings is available from your local Fabco-Air Distributor or from the Fabco-Air web site – <http://www.fabco-air.com>

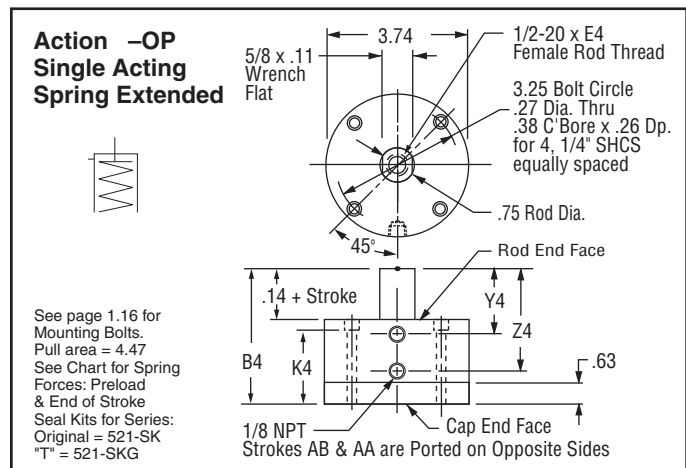
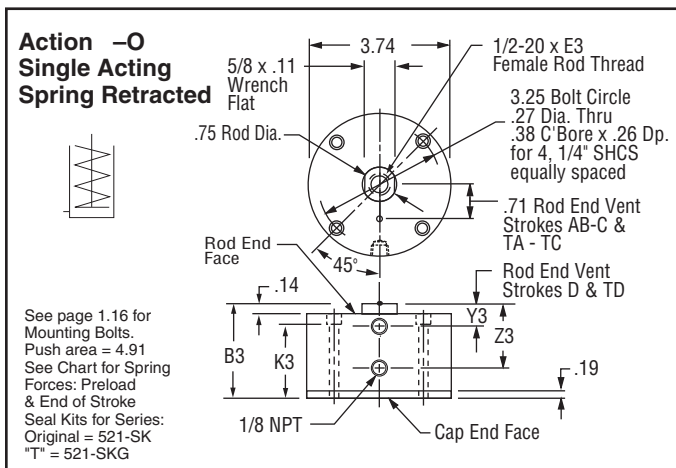


### Original Series

Stroke, Inches	1/8	1/4	1/2	3/4	1	1 1/2	2	3	4
Stroke, Letter	AB	AA	A	B	C	D	E	F	G
<b>Action -X Double Acting</b>									
B1	1.45	1.58	1.83	2.20	2.33	2.83	3.33	4.33	5.33
E1	.56	.63	.63	.88	.88	.88	.88	.88	.88
K1	1.05	1.18	1.43	1.80	1.93	2.43	2.93	3.93	4.93
Y1	.52	.52	.52	.64	.64	.64	.64	.64	.64
Z1	.89	1.02	1.27	1.64	1.77	2.27	2.77	3.77	4.77
Weight, lb.	1.43	1.50	1.67	2.00	2.03	2.38	2.73	3.46	4.19
<b>Action -XK Double Acting, Nonrotating</b>									
B2	1.64	1.77	2.02	2.39	2.52	3.02	3.52	4.52	5.52
E2	.56	.63	.63	.88	.88	.88	.88	.88	.88
K2	1.24	1.37	1.62	1.99	2.12	2.62	3.12	4.12	5.12
Y2	.52	.52	.52	.64	.64	.64	.64	.64	.64
Z2	.89	1.02	1.27	1.64	1.77	2.27	2.77	3.77	4.77
Weight, lb.	1.64	1.72	1.89	2.23	2.27	2.63	3.00	3.75	4.51
<b>Action -O Single Acting, Spring Retracted</b>									
B3	1.45	1.58	1.83	2.20	2.33	4.33	NA*	NA*	NA*
E3	.56	.63	.63	.88	.88	.88	NA*	NA*	NA*
K3	1.05	1.13	1.43	1.80	1.93	3.93	NA*	NA*	NA*
Y3	Rod End Face Vent					.64	NA*	NA*	NA*
Z3	.89	1.02	1.27	1.64	1.77	3.77	NA*	NA*	NA*
Weight, lb. 1.38	1.46	1.62	1.94	1.96	3.60	NA*	NA*	NA*	1.84
Preload, lb. 12.0	6.2	7.0	5.0	4.7	7.3	NA*	NA*	NA*	13.1
End of Stroke, lb.	18.0	18.0	20.0	15.5	20.0	20.0	NA*	NA*	NA*
<b>Action -OP Single Acting, Spring Extended</b>									
B4	2.02	2.27	2.77	3.39	3.77	NA*	NA*	NA*	NA*
E4	.56	.63	.63	.88	.88	NA*	NA*	NA*	NA*
K4	1.49	1.62	1.87	2.24	2.37	NA*	NA*	NA*	NA*
Y4	.65	.77	1.02	1.40	1.64	NA*	NA*	NA*	NA*
Z4	1.02	1.27	1.77	2.39	2.77	NA*	NA*	NA*	NA*
Weight, lb. 1.91	1.98	2.16	2.49	2.51	NA*	NA*	NA*	NA*	2.38
Preload, lb. 6.2	2.5	5.5	5.0	5.2	NA*	NA*	NA*	NA*	11.2
End of Stroke, lb.	12.0	12.0	18.5	15.5	20.5	NA*	NA*	NA*	NA*

### "T" Series

Stroke, Inches	1/4	1/2	3/4	1 1/4	1 3/4	2 3/4	3 3/4
Stroke, Letter	TA	TB	TC	TD	TE	TF	TG
<b>Action -X Double Acting</b>							
B1	1.83	2.20	2.33	2.83	3.33	4.33	5.33
E1	.63	.88	.88	.88	.88	.88	.88
K1	1.43	1.80	1.93	2.43	2.93	3.93	4.93
Y1	.52	.64	.64	.64	.64	.64	.64
Z1	1.27	1.64	1.77	2.27	2.77	3.77	4.77
Weight, lb.	1.89	2.22	2.25	2.60	2.95	3.68	4.41
<b>Action -XK Double Acting, Nonrotating</b>							
B2	2.02	2.39	2.52	3.02	3.52	4.52	5.52
E2	.63	.88	.88	.88	.88	.88	.88
K2	1.62	1.99	2.12	2.62	3.12	4.12	5.12
Y2	.52	.64	.64	.64	.64	.64	.64
Z2	1.27	1.64	1.77	2.27	2.77	3.77	4.77
Weight, lb.	2.11	2.45	2.50	2.85	3.22	4.00	4.73
<b>Action -O Single Acting, Spring Retracted</b>							
B3	1.83	2.20	2.33	4.33	NA*	NA*	NA*
E3	.63	.88	.88	.88	NA*	NA*	NA*
K3	1.43	1.80	1.93	3.93	NA*	NA*	NA*
Y3	Rod End Face Vent			.64	NA*	NA*	NA*
Z3	1.27	1.64	1.77	3.77	NA*	NA*	NA*
Weight, lb. 1.38	2.16	2.18	3.82	NA*	NA*	NA*	1.84
Preload, lb. 12.0	10.6	8.0	9.5	NA*	NA*	NA*	13.1
End of Stroke, lb.	20.0	15.5	20.0	20.0	NA*	NA*	NA*
<b>Action -OP Single Acting, Spring Extended</b>							
B4	2.52	3.14	3.52	NA*	NA*	NA*	NA*
E4	.63	.88	.88	NA*	NA*	NA*	NA*
K4	1.87	2.24	2.37	NA*	NA*	NA*	NA*
Y4	.77	1.14	1.39	NA*	NA*	NA*	NA*
Z4	1.52	2.14	2.52	NA*	NA*	NA*	NA*
Weight, lb. 1.91	2.71	2.73	NA*	NA*	NA*	NA*	2.38
Preload, lb. 6.2	12.4	10.2	NA*	NA*	NA*	NA*	11.2
End of Stroke, lb.	18.5	21.1	22.6	NA*	NA*	NA*	NA*

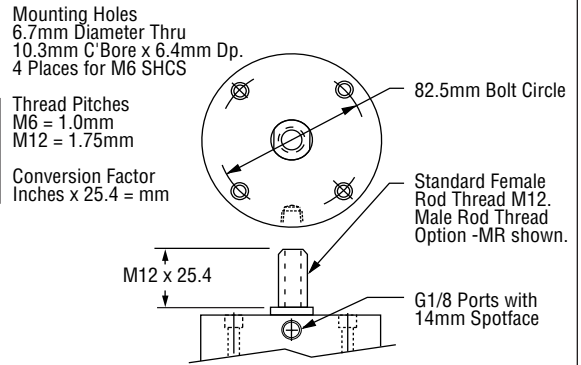


**Prefix Option -M Metric Cylinder & Rod Thread 63.5mm Bore**  
Available on Original and "T" Series with Actions: -X, -XK, -O, -OP  
Also see *Option Information* on page 1.7.

Original Series									
Stroke mm	3.2	6.4	12.7	19.1	25.4	38.1	50.8	76.2	101.6
Stroke Letter	AB	AA	A	B	C	D	E	F	G

"T" Series							
Stroke mm	6.4	12.7	19.1	31.8	44.5	69.9	95.3
Stroke Letter	TA	TB	TC	TD	TE	TF	TG

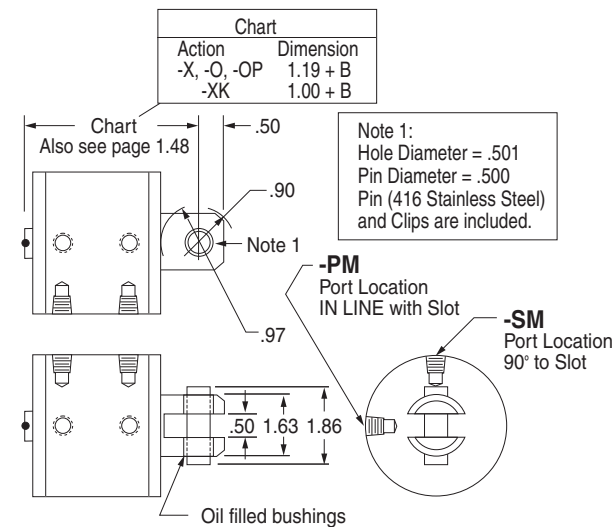


The **Suffix Options** charted on the right are available on Original and "T" Series with the Actions indicated (✓). They require no dimensional changes from the Standard Specifications on page 1.48. – Also see *Option Information* on pages 1.7 thru 1.15.

	T	V	Q	H	N	C1-C7	LF	LR	LFR	BF	BR	BFR	P14
-X	✓	✓	✓	✓	✓	✓	✓	✓	✓	✓	✓	✓	✓
-XK	NA	✓	✓	✓	✓	✓	NA	✓	✓	✓	✓	✓	✓
-O	NA	✓	✓	✓	✓	NA	NA	✓	NA	NA	✓	NA	✓
-OP	NA	✓	✓	✓	✓	✓	✓	✓	✓	✓	NA	NA	✓

### Suffix Options -PM & -SM Clevis Mount

Available On Original and "T" Series with Actions: -X, -XK, -O, -OP  
Also see *Option Information* on page 1.13.



### RC-Chart Rod Clevis and Pin

Threaded Stud mates with Female Rod thread in the **Pancake®** Cylinders. Slot and Pin Mate with EM-121 Eye Bracket shown below.

Materials:  
Clevis – Steel, Black Oxide  
Stud – Steel  
Pin – 416 Stainless Steel  
Pin & Clips are included

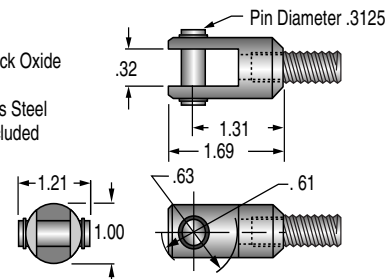
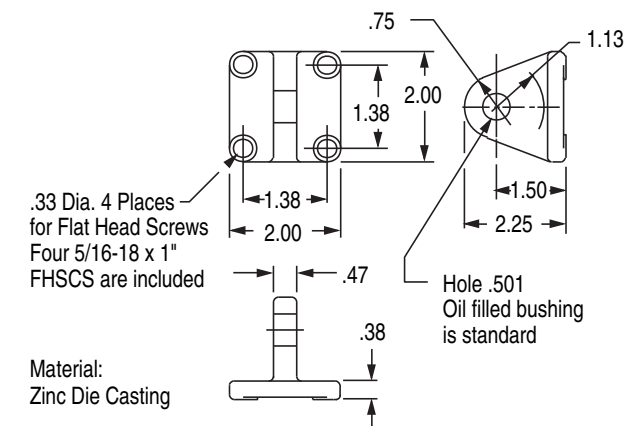


CHART 1/2-20 x Thread Length Metric M12 x Thread Length		
Rod Clevis Number	Strokes	Thread Length
RC-54	AB	.39"
RC-56	AA-G	.62"
MRC-54	MAB	9.9mm
MRC-56	MAA-MG	15.7mm

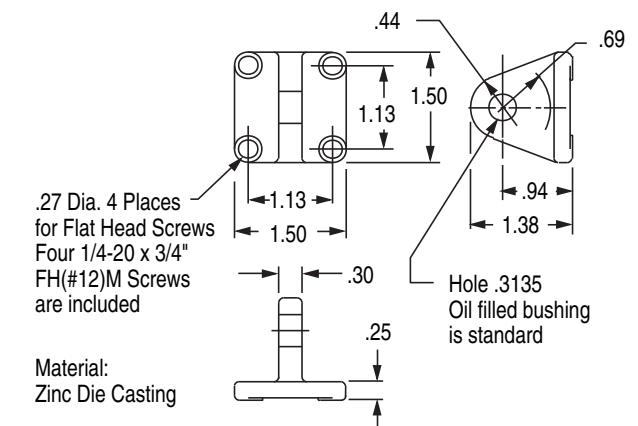
### EM-521 Eye Bracket Kit

Mates with Clevis Mount shown above.  
Order separately.



### EM-121 Eye Bracket Kit

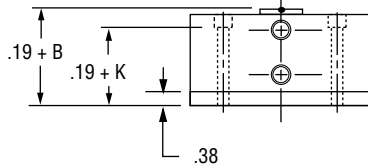
Mates with any Rod Clevis shown above.  
Order separately.



### Suffix Option -HHC Hydraulic & -HC Air

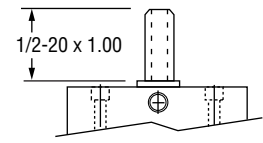
Available on Original and "T" Series with Action -X, -O.

Also see *Option Information* on page 1.9 for Pressure and Mounting details.



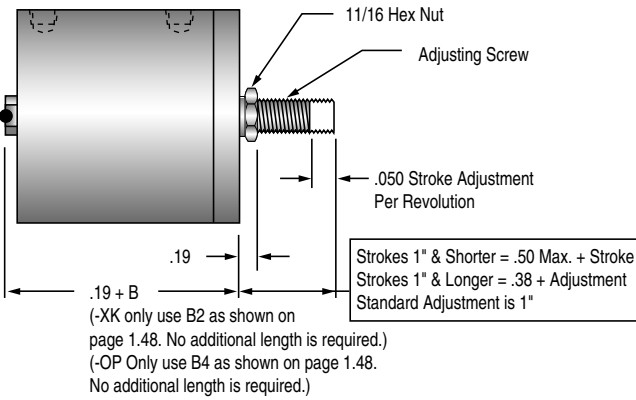
### Suffix Option -MR Male Rod Thread

Available on Original and "T" Series with Actions: -X, -XK, -O, -OP. Also see *Option Information* on page 1.8.



### Suffix Option -RS Adjustable Retract Stroke

Available on Original and "T" Series with Actions: -X, -XK, -O, -OP. Also see *Option Information* on page 1.11.



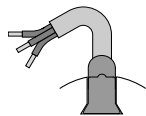
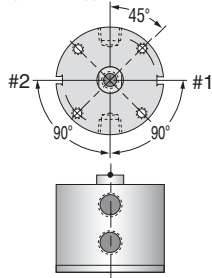
### Suffix Option -E Specifies Magnetic Piston and Dovetail Mounting Slot(s)

Strokes are NOT affected by magnetic piston.

**– Sensors Must be Ordered Separately**  
See Sensor Models Available page 1.14

#### 2 1/2" (521) Bore

Sensors available for "AA" & "TA" strokes and longer. Stroke AA is ported on opposite sides.



1/4" 60° Dovetail Profile of Sensor & Mounting Slot.

#### Quick Reference to Standard Strokes

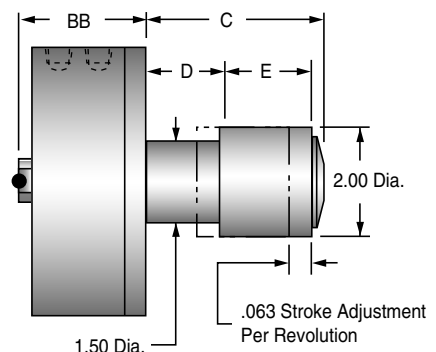
Use the appropriate Stroke Letter in the Model Number

Available on Original Series		Available on "T" Series	
Stroke	Action X, XK	Stroke	Action X, XK
1/4	-----AA	1/4	-----TA
1/2	-----A	1/2	-----TB
3/4	-----B	3/4	-----TC
1	-----C		
1 1/2	-----D	1 1/4	-----TD
2	-----E	1 3/4	-----TE
3	-----F	2 3/4	-----TF
4	-----G	3 3/4	-----TG

### Suffix Option -AS Adjustable Extend Stroke

Available on Original Series with Actions: -X, -XK, -O. Also see *Option Information* on page 1.11.

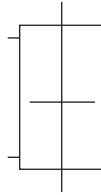
Stroke Inches	1/8	1/4	1/2	3/4	1	1-1/2	2	3	4	
Stroke Letter	AB	AA	A	B	C	D	E	F	G	
Actions: -X, -XK	BB	2.02	2.14	2.39	2.77	2.89	3.39	3.89	4.89	5.89
Actions: -O	BB	2.02	2.14	2.39	2.77	2.89	4.89	NA	NA	NA
C	1.67	1.91	2.41	2.91	3.41	4.41	5.41	7.41	9.41	
D	0.63	0.75	1.00	1.25	1.50	2.00	2.50	3.50	4.50	
E	0.88	1.00	1.25	1.50	1.75	2.25	2.75	3.75	4.75	



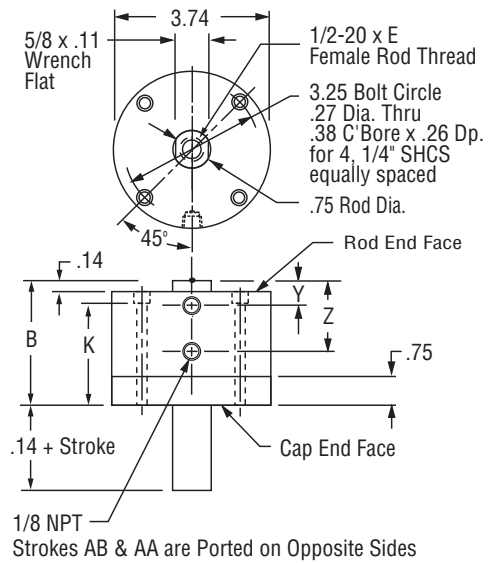
1

### Action –XDR Original Series Double Rod, Double Acting

See page 1.16 for  
Mounting Bolts  
Force Area = 4.47  
Seal Kit = 521-SK

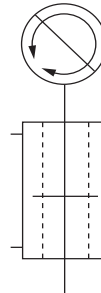


Stroke, Inches	1/8	1/4	1/2	3/4	1	1-1/2	2	3	4
Stroke, Letter	AB	AA	A	B	C	D	E	F	G
B	2.02	2.14	2.39	2.77	2.89	3.39	3.89	4.89	5.89
E	.56	.63	.63	.88	.88	.88	.88	.88	.88
K	1.63	1.75	2.00	2.38	2.50	3.00	3.50	4.50	5.50
Y	.52	.52	.52	.64	.64	.64	.64	.64	.64
Z	.89	1.02	1.27	1.64	1.77	2.27	2.77	3.77	4.77
Weight, lb.	2.20	2.29	2.48	2.82	2.83	3.28	3.67	4.60	5.40

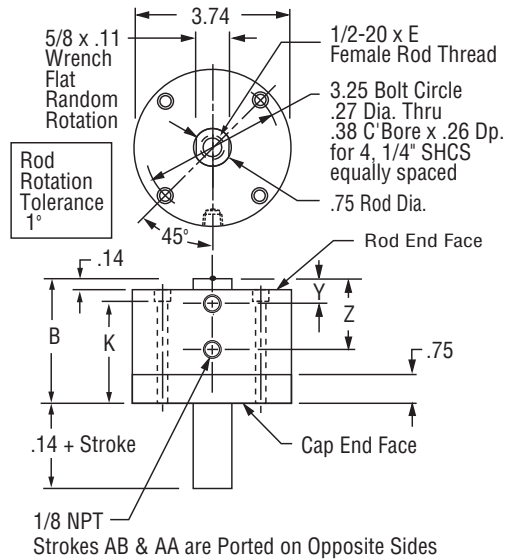


### Action –XDRK Original Series Double Rod, Double Acting, Nonrotating

See page 1.16 for  
Mounting Bolts  
Force Area = 4.37  
Seal Kit = 521-SK-K

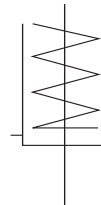


Stroke, Inches	1/8	1/4	1/2	3/4	1	1-1/2	2	3	4
Stroke, Letter	AB	AA	A	B	C	D	E	F	G
B	2.02	2.14	2.39	2.77	2.89	3.39	3.89	4.89	5.89
E	.56	.63	.63	.88	.88	.88	.88	.88	.88
K	1.63	1.75	2.00	2.38	2.50	3.00	3.50	4.50	5.50
Y	.52	.52	.52	.64	.64	.64	.64	.64	.64
Z	.89	1.02	1.27	1.64	1.77	2.27	2.77	3.77	4.77
Weight, lb.	2.34	2.43	2.63	2.97	2.99	3.45	3.85	4.79	5.62

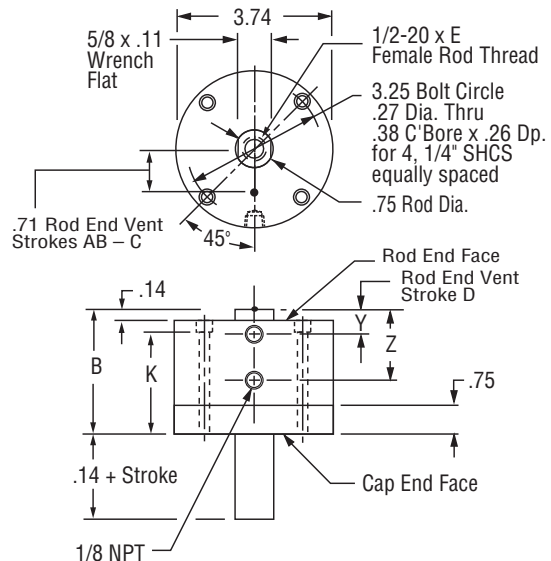


### Action –ODR Original Series Double Rod, Single Acting, Spring Retracted

See page 1.16 for  
Mounting Bolts  
Force Area = 4.47  
Seal Kit = 521-SK



Stroke, Inches	1/8	1/4	1/2	3/4	1	1-1/2
Stroke, Letter	AB	AA	A	B	C	D
B	2.02	2.14	2.39	2.77	2.89	4.89
E	.56	.63	.63	.88	.88	.88
K	1.63	1.75	2.00	2.38	2.50	4.50
Y	Rod End Face Vent					.64
Z	.89	1.02	1.27	1.64	1.77	3.77
Weight, lb.	2.14	2.23	2.41	2.76	2.77	4.52
Spring Return Forces, lb.						
Preload	12.0	6.3	7.0	5.0	4.8	7.3
End of Stroke	18.0	18.0	20.0	15.5	20.0	20.0





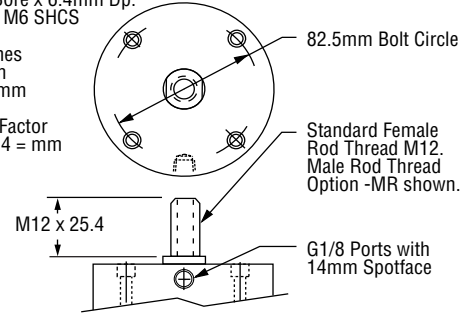
### Prefix Option -M Metric Cylinder & Rod Thread, 63.5mm Bore

Available on Original Series with Actions: -XDR, -XDRK, -ODR  
Also see *Option Information* on page 1.7.

Mounting Holes  
6.7mm Diameter Thru  
10.3mm C Bore x 6.4mm Dp.  
4 Places for M6 SHCS

Thread Pitches  
M6 = 1.0mm  
M12 = 1.75mm

Conversion Factor  
Inches x 25.4 = mm



Stroke mm	3.2	6.4	12.7	19.1	25.4	38.1	50.8	76.2	101.6
Stroke Letter	AB	AA	A	B	C	D	E	F	G

The **Suffix Options** charted on the right are available on Original Series with the Actions indicated (✓). They require no dimensional changes from the Standard Specifications on page 1.51. – Also see *Option Information* on pages 1.7 thru 1.15.

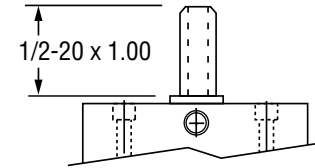
	T	V	Q	H	N	C1–C7	LF	LR	LFR	BF	BR	BFR	P14	16	25
-XDR	✓	✓	✓	✓	✓	✓	✓	✓	✓	✓	✓	✓	✓	✓	✓
-XDRK	NA	✓	✓	✓	✓	✓	NA	✓	NA	✓	✓	✓	✓	✓	✓
-ODR	NA	✓	✓	✓	✓	NA	NA	✓	NA	NA	✓	NA	✓	✓	✓

### Suffix Options -MR, -MR1, -MR2 Male Rod Thread

Available on Original Series with Actions -XDR, -XDRK, -ODR.

- For Rod End only use **-MR**
- For Cap End only use **-MR1**
- For Both Ends use **-MR2**

Also see *Option Information* on Page 1.8.



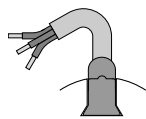
### Suffix Option -E Specifies Magnetic Piston and Dovetail Mounting Slot(s)

Strokes are NOT affected by magnetic piston.

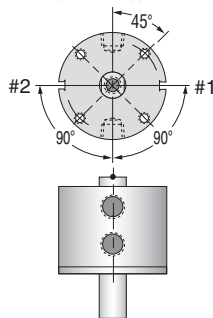
**– Sensors Must be Ordered Separately**  
**See Sensor Models Available page 1.14**

#### 2 1/2" (521) Bore

Sensors available for "AA" strokes and longer.  
Stroke AA is ported on opposite sides.



1/4" 60° Dovetail Profile of Sensor & Mounting Slot.



**Quick Reference to Standard Strokes**  
Use the appropriate Stroke Letter in the Model Number

#### Available on Original Series

Stroke	Action	
	XDR	XDRK
1/4	-----	AA
1/2	-----	A
3/4	-----	B
1	-----	C
1 1/2	-----	D
2	-----	E
3	-----	F
4	-----	G

Sensor Slots at Positions #1 and #2

Sensor Slot at Position #1 only

1

## Model Number Code

Prefix Options

Leave blank if none desired

Stroke

Action

Suffix Options

Metric M  
See pages 1.7, 1.55 & 1.58

Bore Code  
3" 721  
76.2mm 721

Standard Strokes			
Original Series			
Action	X XK XDR XDRK	O ODR	OP
Stroke			
1/8	AB	AB	AB
1/4	AA	AA	AA
1/2	A	A	A
3/4	B	B	B
1	C	C	C
1 1/2	D	D	-
2	E	-	-
3	F	-	-
4	G	-	-

"T" Series Includes PTFE piston bearing			
Action	X XK	O	OP
Stroke			
1/4	TA	TA	TA
1/2	TB	TB	TB
3/4	TC	TC	TC
1 1/4	TD	TD	-
1 3/4	TE	-	-
2 3/4	TF	-	-
3 3/4	TG	-	-

Grey shading indicates sensors are not available.

Strokes are NOT affected by magnetic piston Option "E"

Action	
<b>Single rod</b>	
Double acting	-X
Double acting, Nonrotating	
Internal guide pins - 150 psi max	-XK
Single acting, spring retracted	-O
Single acting, spring extended	-OP
<b>Double rod</b>	
Double acting	-XDR
Double acting, Nonrotating	
Internal guide pins - 150 psi max	-XDRK
Single acting, spring retracted	-ODR

See pages 1.5 & 1.6 for Action Information.  
See pages 1.54 & 1.57 for Standard Specifications

Suffix Options	
Male rod thread: Single rod	-MR
Double rod, rod end	-MR
Double rod, cap end	-MR1
Double rod, both ends	-MR2
PTFE seals	-T
Viton seals	-V
Quad seals	-Q
External guide, nonrotating for load guiding (See page 1.65)	-G
Hydraulic:	
Standard cover	-H
Thick cover	-HHC
Air service:	
Thick cover	-HC
1/4 NPT ports	-P14
Hole thru double rod shaft: 5/32" hole	-16
Plus size: 1/4" hole	-25
150 psi max	
Finish: ProCoat™ (Electroless Nickel)	-N
Stroke collar:	
1/4"	-C1
3/8"	-C3
1/2"	-C4
5/8"	-C5
3/4"	-C6
7/8"	-C7
Sound limiters:	
Rod end	-LF
Cap end	-LR
Both ends	-LFR
Rubber Bumpers:	
Rod end	-BF
Cap end	-BR
Both ends	-BFR
Adjustable extend stroke (Full stroke adjustment is standard)	-AS
Adjustable retract stroke (Over 1" adjustment add desired length, e.g. -RS2)	-RS
Clevis mount: Ports in-line with slot	-PM
Ports 90° to slot	-SM
Magnetic piston & sensor mounting slot(s) Order sensors separately. See page 1.14. Stroke length determines number of mounting slots. See page 1.14, 1.56, 1.58	-E

See pages 1.3 – 1.15 for general option information and pages 1.55, 1.56 & 1.58 for option specifications of 3" bore models.

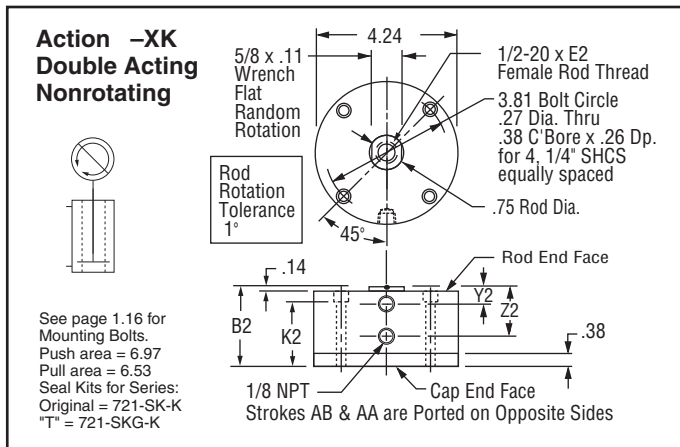
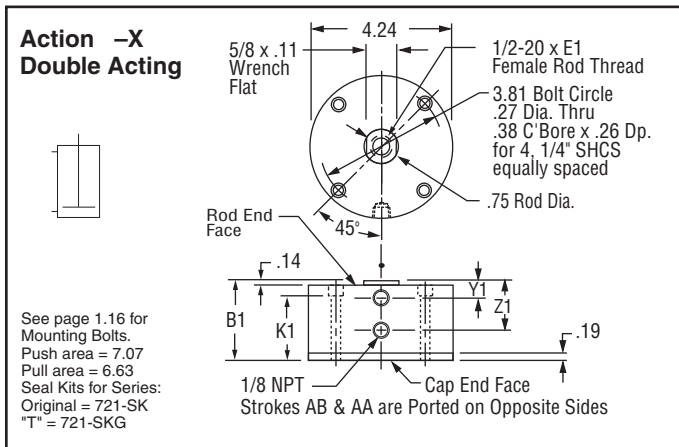
### HOW TO ORDER

- Under **Stroke** – select letter(s) for desired Series and Stroke.
  - Under **Bore** – select **721** for 3" bore.  
**Seven Other Bore Sizes are Available**
- | Bore         | Bore Code  | See page |
|--------------|------------|----------|
| 1/2" -----   | 5 -----    | 1.17     |
| 3/4" -----   | 7 -----    | 1.23     |
| 1 1/4" ----- | 121 -----  | 1.29     |
| 1 5/8" ----- | 221 -----  | 1.35     |
| 2" -----     | 321 -----  | 1.41     |
| 2 1/2" ----- | 521 -----  | 1.47     |
| 4" -----     | 1221 ----- | 1.59     |
- Under **Action** – select letter(s) for desired action.
  - Under **Prefix & Suffix Options** – select letter(s) for desired options and add to model number.

### EXAMPLES

- A-721-X**  
Original Series, 1/2" stroke - 3" Bore - Single Rod, Double Acting
- TC-721-X-MR**  
"T" Series, 3/4" Stroke - 3" Bore - Single Rod, Double Acting - Male Rod Thread

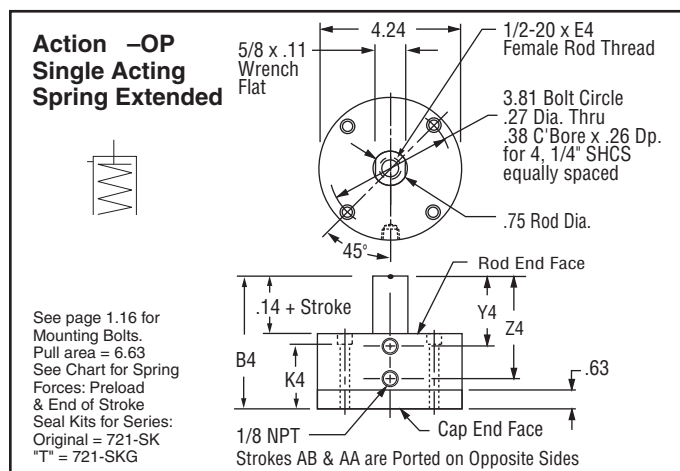
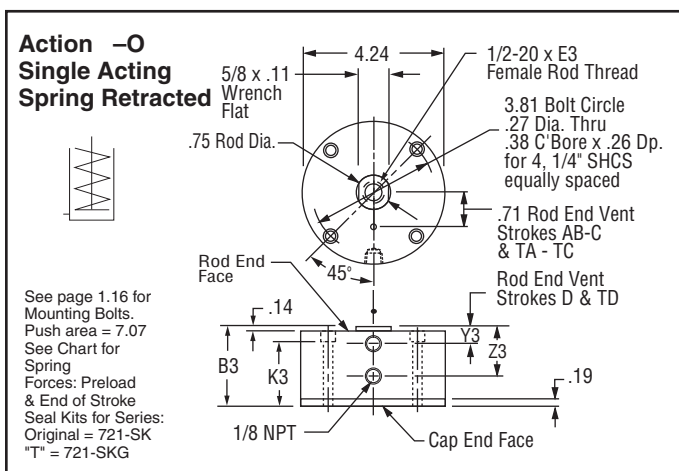
A complete library of cylinder CAD drawings is available from your local Fabco-Air Distributor or from the Fabco-Air web site – <http://www.fabco-air.com>



### Original Series

### "T" Series

Stroke, Inches	1/8	1/4	1/2	3/4	1	1 1/2	2	3	4	1/4	1/2	3/4	1 1/4	1 3/4	2 3/4	3 3/4		
Stroke, Letter	AB	AA	A	B	C	D	E	F	G	TA	TB	TC	TD	TE	TF	TG		
<b>Action -X Double Acting</b>																		
B1	1.52	1.64	1.89	2.14	2.39	2.89	3.39	4.39	5.39	1.89	2.14	2.39	2.89	3.39	4.39	5.39		
E1	.63	.63	.63	.88	.88	.88	.88	.88	.88	.63	.88	.88	.88	.88	.88	.88		
K1	1.12	1.24	1.49	1.74	1.99	2.49	2.99	3.99	4.99	1.49	1.74	1.99	2.49	2.99	3.99	4.99		
Y1	.52	.52	.52	.64	.64	.64	.64	.64	.64	.52	.64	.64	.64	.64	.64	.64		
Z1	.95	1.08	1.33	1.58	1.83	2.33	2.83	3.83	4.83	1.33	1.58	1.83	2.33	2.83	3.83	4.83		
Weight, lb.	1.89	1.97	2.18	2.36	2.57	2.98	3.28	4.22	5.03	2.49	2.68	2.89	3.30	3.70	4.54	5.40		
<b>Action -XK Double Acting, Nonrotating</b>																		
B2	1.71	1.83	2.08	2.33	2.58	3.08	3.58	4.58	5.58	2.08	2.33	2.58	3.08	3.58	4.58	5.58		
E2	.63	.63	.63	.88	.88	.88	.88	.88	.88	.63	.88	.88	.88	.88	.88	.88		
K2	1.31	1.43	1.68	1.93	2.18	2.68	3.18	4.18	5.18	1.68	1.93	2.18	2.68	3.18	4.18	5.18		
Y2	.52	.52	.52	.64	.64	.64	.64	.64	.64	.52	.64	.64	.64	.64	.64	.64		
Z2	.95	1.08	1.33	1.58	1.83	2.33	2.83	3.83	4.83	1.33	1.58	1.83	2.33	2.83	3.83	4.83		
Weight, lb.	2.15	2.24	2.45	2.64	2.86	3.28	3.59	4.56	5.40	2.77	2.96	3.18	3.60	3.91	4.88	5.72		
<b>Action -O Single Acting, Spring Retracted</b>																		
B3	1.52	1.64	1.89	2.14	2.39	4.39	NA*	NA*	NA*	1.89	2.14	2.39	4.39	NA*	NA*	NA*		
E3	.63	.63	.63	.88	.88	.88	NA*	NA*	NA*	.63	.88	.88	.88	NA*	NA*	NA*		
K3	1.12	1.24	1.49	1.74	1.99	3.99	NA*	NA*	NA*	1.49	1.74	1.99	3.99	NA*	NA*	NA*		
Y3	Rod End Face Vent					.64	NA*	NA*	NA*	Rod End Face Vent					.64	NA*	NA*	NA*
Z3	.95	1.08	1.33	1.58	1.83	3.83	NA*	NA*	NA	1.33	1.58	1.83	3.83	NA*	NA*	NA*		
Weight, lb. 1.20	1.92	2.11	2.29	2.51	4.36	NA*	NA*	NA*	2.43	2.61	2.83	4.68	NA*	NA*	NA*	NA*		
Preload, lb. 12.0	12.0	6.5	5.0	4.7	7.3	NA*	NA*	NA*	11.7	10.6	7.9	9.5	NA*	NA*	NA*	NA*		
End of Stroke, lb.	18.0	18.5	15.5	15.5	20.0	20.0	NA*	NA*	NA*	17.0	19.3	20.0	20.0	NA*	NA*	NA*		
<b>Action -OP Single Acting, Spring Extended</b>																		
B4	2.08	2.33	2.83	3.33	3.83	NA*	NA*	NA*	NA*	2.58	3.08	3.58	NA*	NA*	NA*	NA*		
E4	.63	.63	.63	.88	.88	NA*	NA*	NA*	NA*	.63	.88	.88	NA*	NA*	NA*	NA*		
K4	1.55	1.68	1.93	2.18	2.43	NA*	NA*	NA*	NA*	1.93	2.18	2.43	NA*	NA*	NA*	NA*		
Y4	.65	.77	1.02	1.39	1.64	NA*	NA*	NA*	NA*	.77	1.14	1.39	NA*	NA*	NA*	NA*		
Z4	1.08	1.33	1.83	2.33	2.83	NA*	NA*	NA*	NA*	1.58	2.08	2.58	NA*	NA*	NA*	NA*		
Weight, lb. 2.49	2.60	2.69	2.99	3.20	NA*	NA*	NA*	NA*	3.01	3.31	3.52	NA*	NA*	NA*	NA*	NA*		
Preload, lb. 6.2	12.0	6.5	5.0	5.2	NA*	NA*	NA*	NA*	11.7	10.6	8.5	NA*	NA*	NA*	NA*	NA*		
End of Stroke, lb.	12.0	18.5	15.5	15.5	20.5	NA*	NA*	NA*	NA*	17.1	19.3	20.8	NA*	NA*	NA*	NA*		



### Prefix Option -M Metric Cylinder & Rod Thread 76.2mm Bore

Available on Original and "T" Series with Actions: -X, -XK, -O, -OP  
Also see *Option Information* on page 1.7.

Original Series									
Stroke mm	3.2	6.4	12.7	19.1	25.4	38.1	50.8	76.2	101.6
Stroke Letter	AB	AA	A	B	C	D	E	F	G

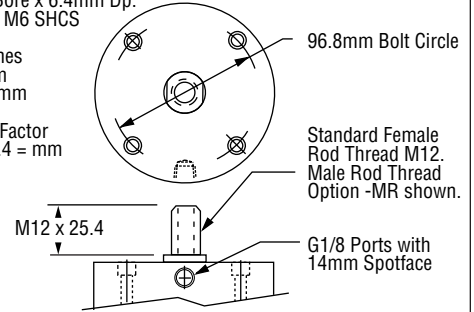
  

"T" Series							
Stroke mm	6.4	12.7	19.1	31.8	44.5	69.9	95.3
Stroke Letter	TA	TB	TC	TD	TE	TF	TG

Mounting Holes  
6.7mm Diameter Thru  
10.3mm C Bore x 6.4mm Dp.  
4 Places for M6 SHCS

Thread Pitches  
M6 = 1.0mm  
M12 = 1.75mm

Conversion Factor  
Inches x 25.4 = mm



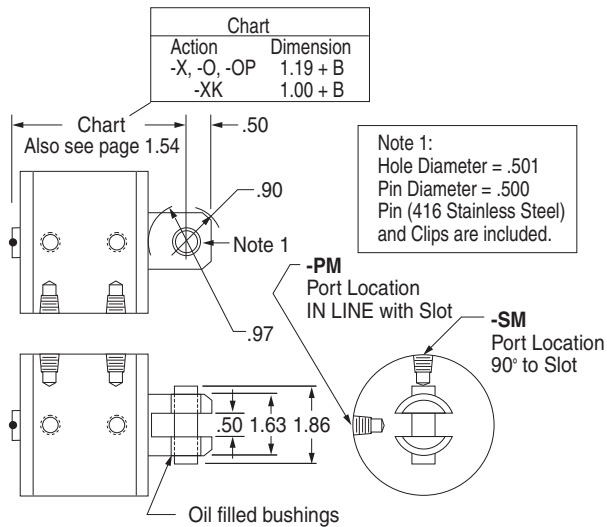
The **Suffix Options** charted on the right are available on Original and "T" Series with the Actions indicated (✓). They require no dimensional changes from the Standard Specifications on page 1.54.  
- Also see *Option Information* on pages 1.7 thru 1.15.

	T	V	Q	H	N	C1-C7	LF	LR	LFR	BF	BR	BFR	P14
-X	✓	✓	✓	✓	✓	✓	✓	✓	✓	✓	✓	✓	✓
-XK	NA	✓	✓	✓	✓	✓	NA	✓	✓	✓	✓	✓	✓
-O	NA	✓	✓	✓	✓	NA	NA	✓	✓	NA	NA	NA	✓
-OP	NA	✓	✓	✓	✓	✓	✓	✓	✓	✓	NA	NA	✓

### Suffix Options -PM & -SM Clevis Mount

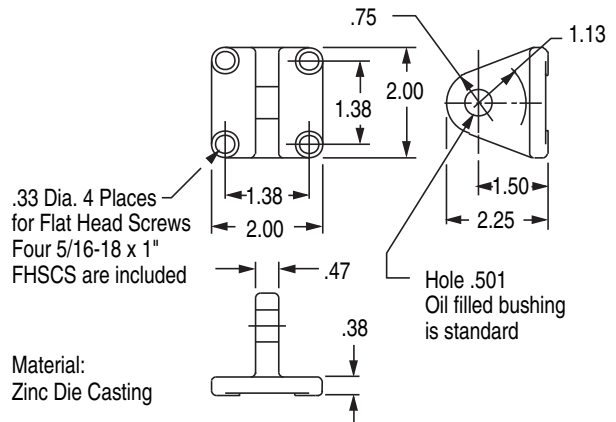
Available on Original and "T" Series  
with Actions: -X, -XK, -O, -OP

Also see *Option Information* on page 1.13.



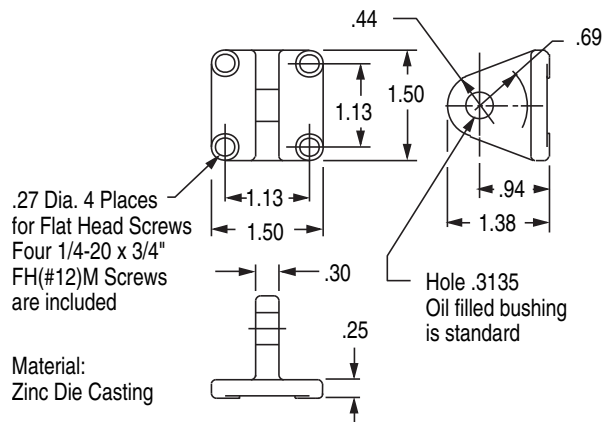
### EM-521 Eye Bracket Kit

Mates with Clevis Mount shown on the left.  
Order separately.



### EM-121 Eye Bracket Kit

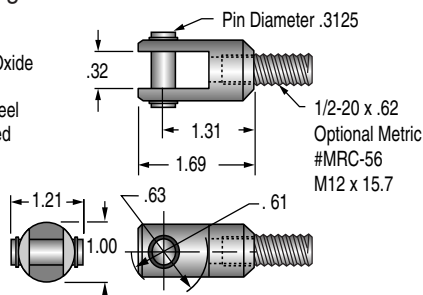
Mates with RC-56 Rod Clevis shown on the left.  
Order separately.



### RC-56 Rod Clevis and Pin

Threaded Stud mates with Female Rod thread in the **Pancake®** Cylinders.  
Slot and Pin Mate with EM-121 Eye Bracket shown on the right.

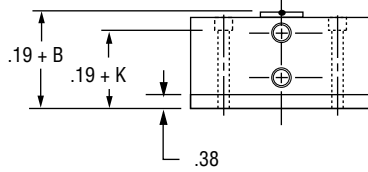
Materials:  
Clevis - Steel, Black Oxide  
Stud - Steel  
Pin - 416 Stainless Steel  
Pin & Clips are included



### Suffix Option -HHC Hydraulic & -HC Air

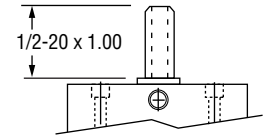
Available on Original and "T" Series with Action -X, -O.

Also see *Option Information* on page 1.9 for Pressure and Mounting details.



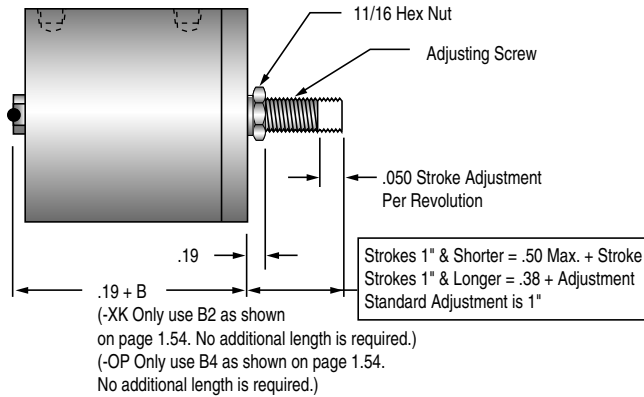
### Suffix Option -MR Male Rod Thread

Available on Original and "T" Series with Actions: -X, -XK, -O, -OP. Also see *Option Information* on page 1.8.



### Suffix Option -RS Adjustable Retract Stroke

Available on Original and "T" Series with Actions: -X, -XK, -O, -OP. Also see *Option Information* on page 1.11.



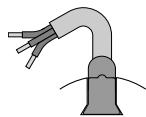
### Suffix Option -E Specifies Magnetic Piston and Dovetail Mounting Slot(s)

Strokes are **NOT** affected by magnetic piston.

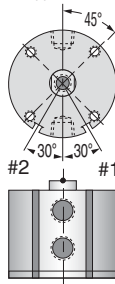
**– Sensors Must be Ordered Separately**  
**See Sensor Models Available page 1.14**

#### 3" (721) Bore

Sensors available for "AA" & "TA" strokes and longer. Stroke AA is ported on opposite sides.



1/4" 60° Dovetail Profile of Sensor & Mounting Slot.



#### Quick Reference to Standard Strokes

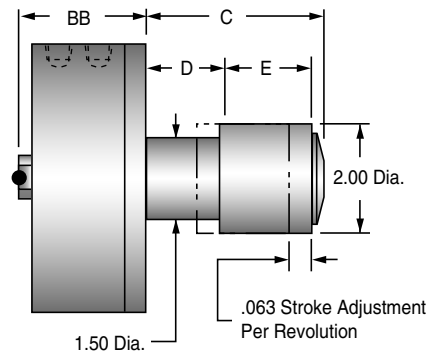
Use the appropriate Stroke Letter in the Model Number

	Available on Original Series		Available on "T" Series	
	Stroke	Action X, XK	Stroke	Action X, XK
Sensor Slots at Positions #1 and #2	1/4	-----AA	1/4	-----TA
	1/2	-----A	1/2	-----TB
	3/4	-----B	3/4	-----TC
	1	-----C		
Sensor Slot at Position #1 only	1 1/2	-----D	1 1/4	-----TD
	2	-----E	1 3/4	-----TE
	3	-----F	2 3/4	-----TF
	4	-----G	3 3/4	-----TG

### Suffix Option -AS Adjustable Extend Stroke

Available on Original Series with Actions: -X, -XK, -O. Also see *Option Information* on page 1.11.

Stroke Inches	1/8	1/4	1/2	3/4	1	1-1/2	2	3	4
Stroke Letter	AB	AA	A	B	C	D	E	F	G
Actions: -X, -XK	BB	2.08	2.20	2.45	2.70	2.95	3.45	3.95	4.95
Actions: -O	BB	2.08	2.20	2.45	2.70	2.95	4.95	NA	NA
C	1.67	1.91	2.41	2.91	3.41	4.41	5.41	7.41	9.41
D	0.63	0.75	1.00	1.25	1.50	2.00	2.50	3.50	4.50
E	0.88	1.00	1.25	1.50	1.75	2.25	2.75	3.75	4.75

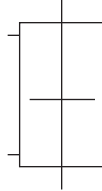




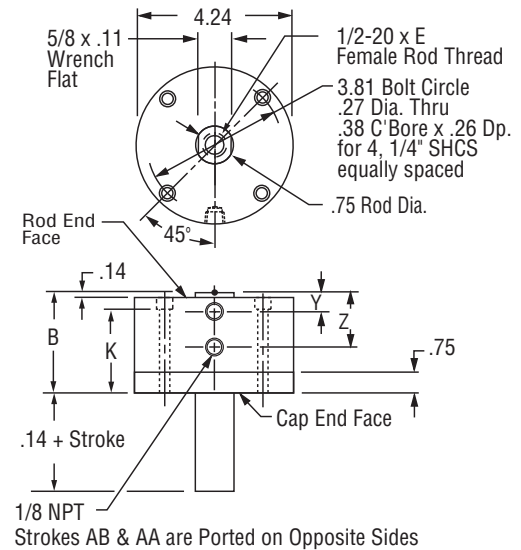
1

### Action -XDR Original Series Double Rod, Double Acting

See page 1.16 for  
Mounting Bolts  
Force Area = 6.63  
Seal Kit = 721-SK

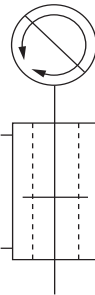


Stroke, Inches	1/8	1/4	1/2	3/4	1	1-1/2	2	3	4
Stroke, Letter	AB	AA	A	B	C	D	E	F	G
B	2.08	2.20	2.45	2.70	2.95	3.45	3.95	4.95	5.95
E	.63	.63	.63	.88	.88	.88	.88	.88	.88
K	1.68	1.80	2.10	2.30	2.55	3.10	3.55	4.55	5.55
Y	.52	.52	.52	.64	.64	.64	.64	.64	.64
Z	.95	1.08	1.33	1.58	1.83	2.33	2.83	3.83	4.83
Weight, lb.	2.84	2.95	3.16	3.39	3.61	4.09	4.53	5.50	6.47

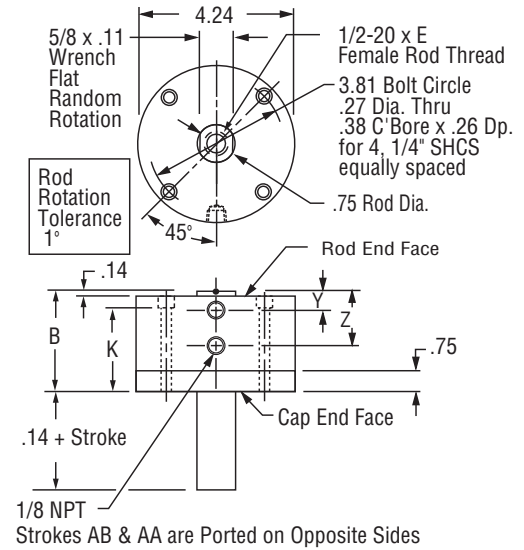


### Action -XDRK Original Series Double Rod, Double Acting, Nonrotating

See page 1.16 for  
Mounting Bolts  
Force Area = 6.53  
Seal Kit = 721-SK-K

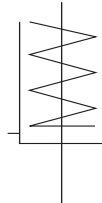


Stroke, Inches	1/8	1/4	1/2	3/4	1	1-1/2	2	3	4
Stroke, Letter	AB	AA	A	B	C	D	E	F	G
B	2.08	2.20	2.45	2.70	2.95	3.45	3.95	4.95	5.95
E	.63	.63	.63	.88	.88	.88	.88	.88	.88
K	1.68	1.80	2.10	2.30	2.55	3.10	3.55	4.55	5.55
Y	.52	.52	.52	.64	.64	.64	.64	.64	.64
Z	.95	1.08	1.33	1.58	1.83	2.33	2.83	3.83	4.83
Weight, lb.	3.10	3.21	3.43	3.67	3.90	4.39	4.84	5.84	6.84

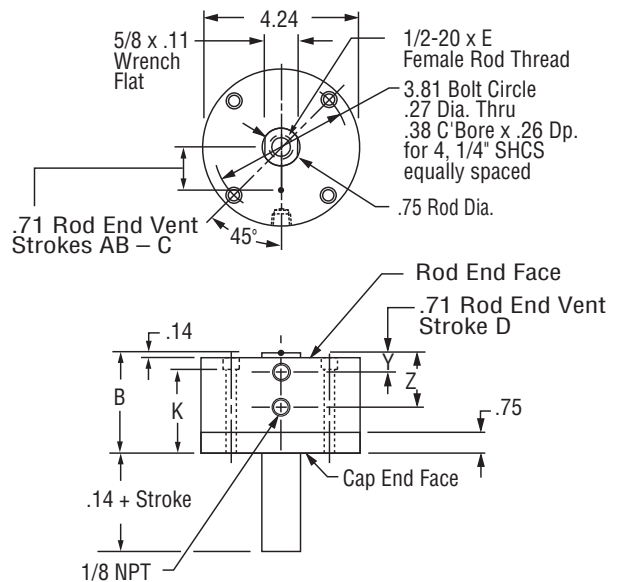


### Action -ODR Original Series Double Rod, Single Acting, Spring Retracted

See page 1.16 for  
Mounting Bolts  
Force Area = 6.63  
Seal Kit = 721-SK



Stroke, Inches	1/8	1/4	1/2	3/4	1	1-1/2
Stroke, Letter	AB	AA	A	B	C	D
B	2.08	2.20	2.45	2.70	2.95	4.95
E	.63	.63	.63	.88	.88	.88
K	1.68	1.80	2.10	2.30	2.55	4.55
Y	Rod End Face Vent					.64
Z	.95	1.08	1.33	1.58	1.83	3.83
Weight, lb.	2.77	2.88	3.10	3.31	3.54	5.64
Spring Return Forces, lb.						
Preload	12.0	12.0	6.5	5.0	4.7	7.3
End of Stroke	18.0	18.5	15.5	15.5	20.0	20.0



### Prefix Option -M Metric Cylinder & Rod Thread, 76.2mm Bore

Available on Original Series with Actions: -XDR, -XDRK, -ODR

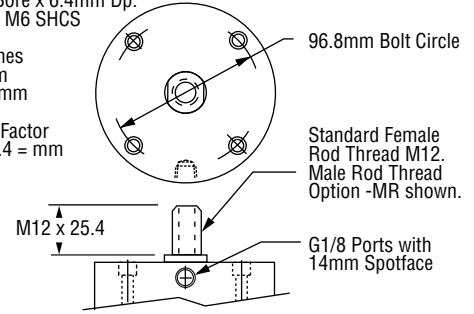
Also see *Option Information* on page 1.7.

Stroke mm	3.2	6.4	12.7	19.1	25.4	38.1	50.8	76.2	101.6
Stroke Letter	AB	AA	A	B	C	D	E	F	G

Mounting Holes  
6.7mm Diameter Thru  
10.3mm C' Bore x 6.4mm Dp.  
4 Places for M6 SHCS

Thread Pitches  
M6 = 1.0mm  
M12 = 1.75mm

Conversion Factor  
Inches x 25.4 = mm



The **Suffix Options** charted on the right are available on Original Series with the Actions indicated (✓). They require no dimensional changes from the Standard Specifications on page 1.57. – Also see *Option Information* on pages 1.7 thru 1.15.

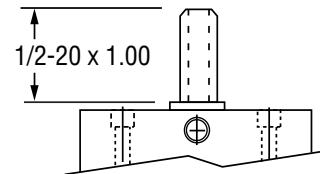
	T	V	Q	H	N	C1-C7	LF	LR	LFR	BF	BR	BFR	P14	16	25
-XDR	✓	✓	✓	✓	✓	✓	✓	✓	✓	✓	✓	✓	✓	✓	✓
-XDRK	NA	✓	✓	✓	✓	✓	NA	✓	NA	✓	✓	✓	✓	✓	✓
-ODR	NA	✓	✓	✓	✓	NA	NA	✓	NA	NA	✓	NA	✓	✓	✓

### Suffix Options -MR, -MR1, -MR2 Male Rod Thread

Available on Original Series with Actions -XDR, -XDRK, -ODR.

- For Rod End only use –MR
- For Cap End only use –MR1
- For Both Ends –MR2

Also see *Option Information* on Page 1.8



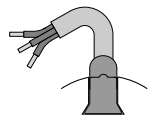
### Suffix Option -E Specifies Magnetic Piston and Dovetail Mounting Slot(s)

Strokes are NOT affected by magnetic piston.

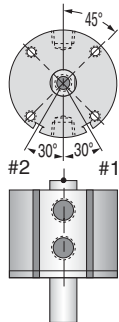
**– Sensors Must be Ordered Separately  
See Sensor Models Available page 1.14**

#### 3" (721) Bore

Sensors available for "AA" strokes and longer.  
Stroke AA is ported on opposite sides.



1/4" 60° Dovetail Profile of Sensor & Mounting Slot.



**Quick Reference to Standard Strokes**  
Use the appropriate Stroke Letter in the Model Number

#### Available on Original Series

Sensor Slots at Positions #1 and #2	Action	
	Stroke	XDR, XDRK
Sensor Slots at Position #1 only	1/4 -----	AA
	1/2 -----	A
	3/4 -----	B
	1 -----	C
Sensor Slot at Position #1 only	1 1/2 -----	D
	2 -----	E
	3 -----	F
	4 -----	G

1

**Model Number Code**

Prefix Options

Leave blank if none desired

Stroke

**D**

Bore

**1221**

Action

**X**

Suffix Options

**MR**

<b>Metric</b>	<b>M</b>
See pages 1.7, 1.61 & 1.64	

<b>Bore</b>	<b>Code</b>
4"	1221
101.6mm	1221

Standard Strokes	
Original Series	
Action	X XK XDR XDRK
Stroke	
1/8	AC
1/4	AB
1/2	AA
1	A
1 1/2	B
2	C
3	D
4	E

"T" Series Includes PTFE piston bearing	
Action	X XK
Stroke	
5/16	TAA
13/16	TA
1 5/16	TB
1 13/16	TC
2 13/16	TD
3 13/16	TE

Grey shading indicates sensors are not available.

Strokes are **NOT** affected by magnetic piston Option "E"

Action	
<b>Single rod</b>	
Double acting	-X
Double acting, Nonrotating	
Internal guide pins - 150 psi max	-XK
<b>Double rod</b>	
Double acting	-XDR
Double acting, Nonrotating	
Internal guide pins - 150 psi max	-XDRK
See pages 1.5 & 1.6 for Action Information. See pages 1.60 & 1.63 for Standard Specifications	

Suffix Options	
Male rod thread: Single rod	-MR
Double rod, rod end	-MR
Double rod, cap end	-MR1
Double rod, both ends	-MR2
PTFE seals	-T
Viton seals	-V
Quad seals	-Q
External guide, nonrotating for load guiding (See page 1.65)	-G
Hydraulic:	
Standard cover	-H
Thick cover	-HHC
Air service:	
Thick cover	-HC
1/4 NPT ports	-P14
Hole thru double rod shaft: 1/4" hole 150 psi max	-25
Finish: ProCoat™ (Electroless Nickel)	-N
Stroke collar:	
1/4"	-C2 1/8" -C1
1/2"	-C4 3/8" -C3
3/4"	-C6 5/8" -C5
	7/8" -C7
Sound limiters:	
Rod end	-LF
Cap end	-LR
Both ends	-LFR
Rubber Bumpers:	
Rod end	-BF
Cap end	-BR
Both ends	-BFR
Adjustable extend stroke (Full stroke adjustment is standard)	-AS
Adjustable retract stroke (Over 1" adjustment add desired length, e.g. -RS2)	-RS
Clevis mount: Ports in-line with slot	-PM
Ports 90° to slot	-SM
Magnetic piston & sensor mounting slot(s) Order sensors separately. See page 1.14. Stroke length determines number of mounting slots. See page 1.14, 1.62, 1.64	-E

**HOW TO ORDER**

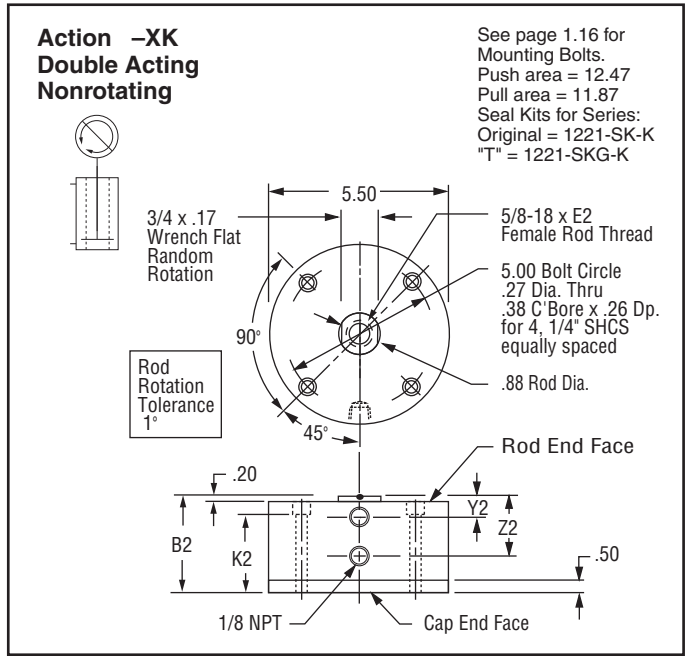
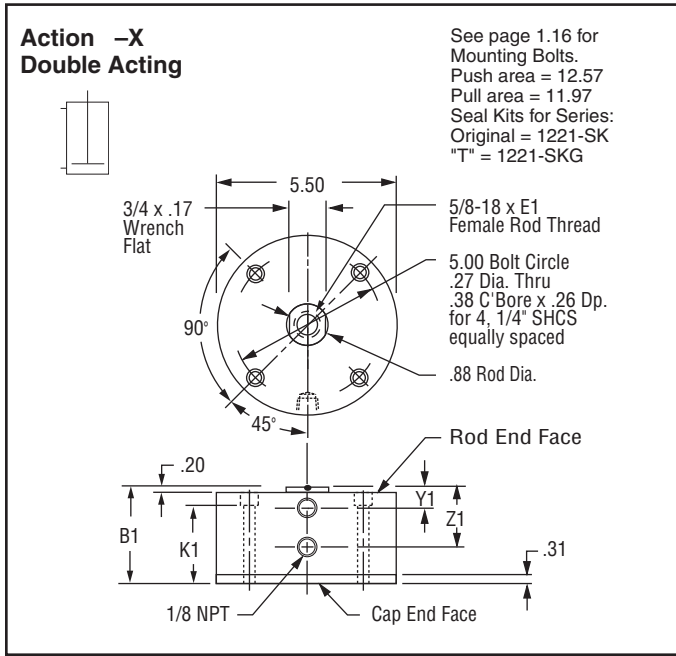
- Under **Stroke** – select letter(s) for desired Series and Stroke.
  - Under **Bore** – select **1221** for 4" bore.  
**Seven Other Bore Sizes are Available**
- | Bore   | Bore Code | See page |
|--------|-----------|----------|
| 1/4"   | 5         | 1.17     |
| 3/4"   | 7         | 1.23     |
| 1 1/8" | 121       | 1.29     |
| 1 5/8" | 221       | 1.35     |
| 2"     | 321       | 1.41     |
| 2 1/2" | 521       | 1.47     |
| 3"     | 721       | 1.53     |
- Under **Action** – select letter(s) for desired action.
  - Under **Prefix & Suffix Options** – select letter(s) for desired options and add to model number.

**EXAMPLES**

- D-1221-X**  
Original Series, 3" stroke - 4" Bore - Single Rod, Double Acting
- TD-1221-X-MR**  
"T" Series, 2 13/16" Stroke - 4" Bore - Single Rod, Double Acting - Male Rod Thread

See pages 1.3 – 1.15 for general option information and pages 1.61, 1.62 & 1.64 for option specifications of 4" bore models.

A complete library of cylinder CAD drawings is available from your local Fabco-Air Distributor or from the Fabco-Air web site – <http://www.fabco-air.com>



### Original Series

### "T" Series

Stroke, Inches	1/8	1/4	1/2	1	1 1/2	2	3	4	5/16	13/16	1 5/16	1 13/16	2 13/16	3 13/16
Stroke, Letter	AC	AB	AA	A	B	C	D	E	TAA	TA	TB	TC	TD	TE
	<b>Action -X Double Acting</b>								<b>Action -X Double Acting</b>					
B1	1.89	2.02	2.27	2.77	3.27	3.77	4.77	5.77	2.27	2.77	3.27	3.77	4.77	5.77
E1	.50	.50	.75	.88	.88	.88	.88	.88	.75	.88	.88	.88	.88	.88
K1	1.43	1.56	1.81	2.31	2.81	3.31	4.31	5.31	1.81	2.31	2.81	3.31	4.31	5.31
Y1	.58	.58	.70	.70	.70	.70	.70	.70	.70	.70	.70	.70	.70	.70
Z1	1.20	1.33	1.58	2.08	2.58	3.08	4.08	5.08	1.58	2.08	2.58	3.08	4.08	5.08
Weight, lb.	3.88	4.01	4.34	4.91	5.63	6.22	7.53	8.84	5.04	5.61	6.33	6.92	8.23	9.54
	<b>Action -XK Double Acting, Nonrotating</b>								<b>Action -XK Double Acting, Nonrotating</b>					
B2	2.08	2.21	2.46	2.96	3.46	3.96	4.96	5.96	2.46	2.96	3.46	3.96	4.96	5.96
E2	.50	.50	.75	.88	.88	.88	.88	.88	.75	.88	.88	.88	.88	.88
K2	1.62	1.75	2.00	2.50	3.00	3.50	4.50	5.50	2.00	2.50	3.00	3.50	4.50	5.50
Y2	.58	.58	.70	.70	.70	.70	.70	.70	.70	.70	.70	.70	.70	.70
Z2	1.20	1.33	1.58	2.08	2.58	3.08	4.08	5.08	1.58	2.08	2.58	3.08	4.08	5.08
Weight, lb.	4.31	4.44	4.78	5.36	6.10	6.70	8.04	9.38	5.48	6.06	6.80	7.50	8.74	10.08

### Prefix Option -M Metric Cylinder & Rod Thread 101.6mm Bore

Available on Original and "T" Series with Actions: -X, -XK  
Also see *Option Information* on page 1.7.

Original Series								
Stroke mm	3.2	6.4	12.7	25.4	38.1	50.8	76.2	101.6
Stroke Letter	AC	AB	AA	A	B	C	D	E

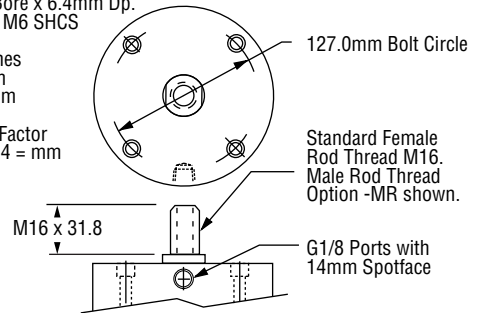
  

"T" Series						
Stroke mm	7.9	20.6	33.3	46.0	71.4	96.7
Stroke Letter	TAA	TA	TB	TC	TD	TE

Mounting Holes  
6.7mm Diameter Thru  
10.3mm C' Bore x 6.4mm Dp.  
4 Places for M6 SHCS

Thread Pitches  
M6 = 1.0mm  
M16 = 2.0mm

Conversion Factor  
Inches x 25.4 = mm



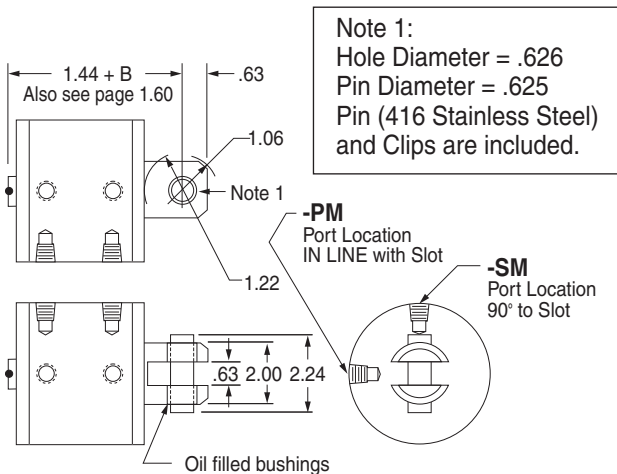
The **Suffix Options** charted on the right are available on Original and "T" Series with the Actions indicated (✓). They require no dimensional changes from the Standard Specifications on page 1.60.  
- Also see *Option Information* on pages 1.7 thru 1.15.

	T	V	Q	H	N	C1-C7	LF	LR	LFR	BF	BR	BFR	P14
-X	✓	✓	✓	✓	✓	✓	✓	✓	✓	✓	✓	✓	✓
-XK	NA	✓	✓	✓	✓	✓	✓	✓	✓	✓	✓	✓	✓

### Suffix Options -PM & -SM Clevis Mount

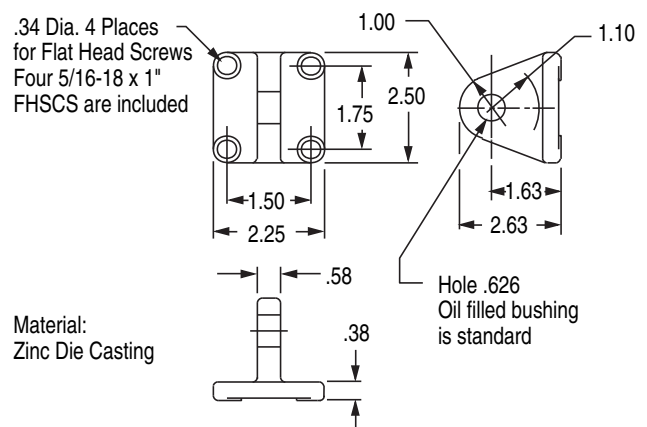
Available on Original and "T" Series  
with Actions: -X, -XK

Also see *Option Information* on page 1.13.



### EM-1221 Eye Bracket Kit

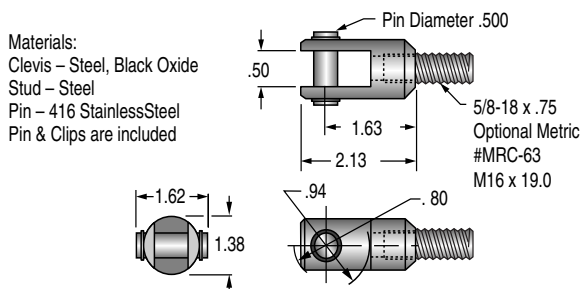
Mates with Clevis Mount shown on the left.  
Order separately.



### RC-63 Rod Clevis and Pin

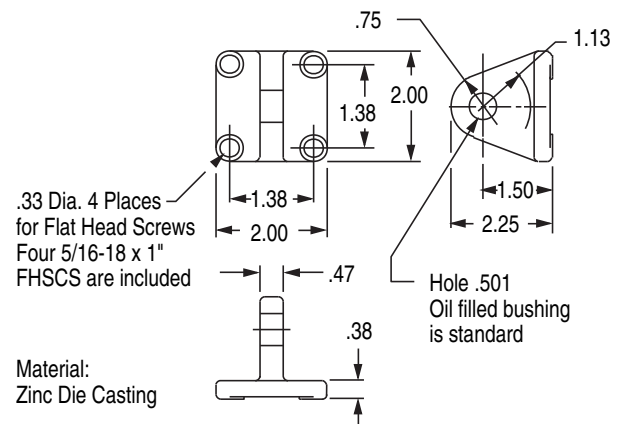
Threaded Stud mates with Female Rod thread  
in the **Pancake®** Cylinders.

Slot and Pin Mate with EM-521 Eye Bracket  
shown on the right.



### EM-521 Eye Bracket Kit

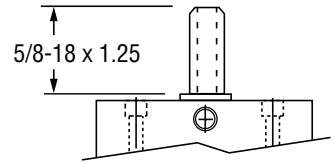
Mates with RC-63 Rod Clevis shown on the left.  
Order separately.





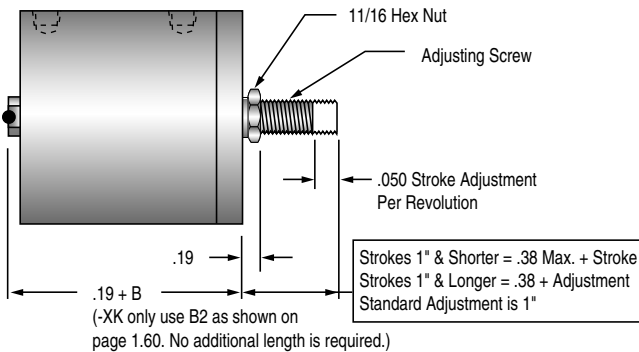
### Suffix Option -MR Male Rod Thread

Available on Original and "T" Series with Actions: -X, -XK  
Also see *Option Information* on page 1.8.



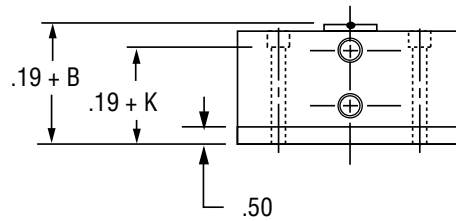
### Suffix Option -RS Adjustable Retract Stroke

Available on Original and "T" Series with Actions: -X, -XK  
Also see *Option Information* on page 1.11.



### Suffix Option -HHC Hydraulic & -HC Air

Available on Original and "T" Series with Action -X.  
Also see *Option Information* on page 1.9.



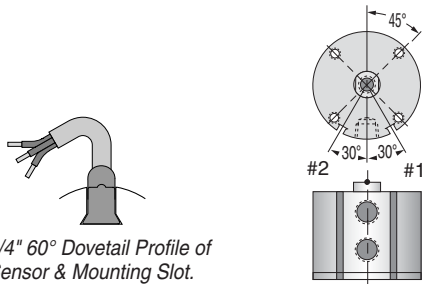
### Suffix Option -E Specifies Magnetic Piston and Dovetail Mounting Slot(s)

Strokes are NOT affected by magnetic piston.

**– Sensors Must be Ordered Separately**  
See Sensor Models Available page 1.14

#### 4" (1221) Bore

Sensors available for "AB" & "TAA" strokes and longer.



1/4" 60° Dovetail Profile of Sensor & Mounting Slot.

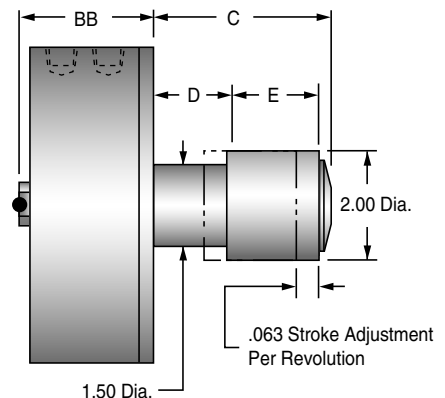
**Quick Reference to Standard Strokes**  
Use the appropriate Stroke Letter in the Model Number

Available on Original Series		Available on "T" Series	
Stroke	Action X, XK	Stroke	Action X, XK
<b>Sensor Slots at Positions #1 and #2</b>		1/4 -----AB	5/16 -----TAA
		1/2 -----AA	13/16 -----TA
		1 -----A	
<b>Sensor Slot at Position #1 only</b>		1-1/2 -----B	15/16 -----TB
		2 -----C	1-13/16 -----TC
		3 -----D	2-13/16 -----TD
		4 -----E	3-13/16 -----TE

### Suffix Option -AS Adjustable Extend Stroke

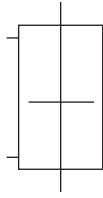
Available on Original Series with Actions: -X, -XK  
Also see *Option Information* on page 1.11.

Stroke Inches	1/8	1/4	1/2	1	1-1/2	2	3	4
Stroke Letter	AC	AB	AA	A	B	C	D	E
BB	2.33	2.45	2.70	3.20	3.70	4.20	5.20	6.20
C	1.66	1.91	2.41	3.41	4.41	5.41	7.41	9.41
D	0.63	.75	1.00	1.50	2.00	2.50	3.50	4.50
E	0.88	1.00	1.25	1.75	2.25	2.75	3.75	4.75



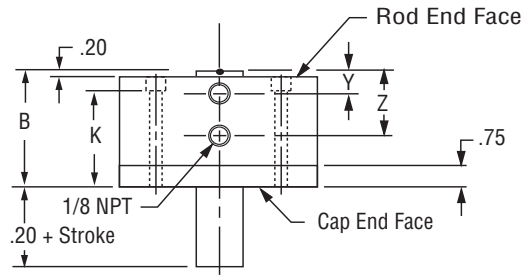
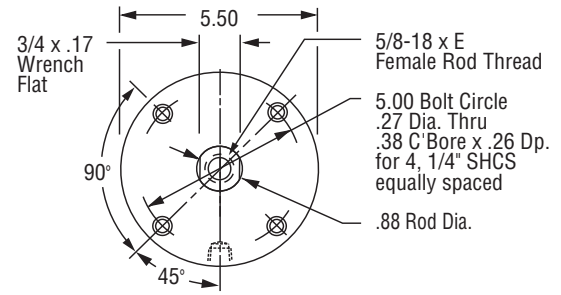
1

### Action -XDR Original Series Double Rod, Double Acting

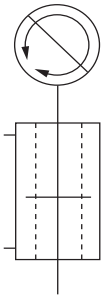


See page 1.16 for  
Mounting Bolts.  
Force area = 11.97  
Seal Kit = 1221-SK

Stroke, Inches	1/8	1/4	1/2	1	1 1/2	2	3	4
Stroke, Letter	AC	AB	AA	A	B	C	D	E
B	2.33	2.45	2.70	3.20	3.70	4.20	5.20	6.20
E	.50	.50	.75	.88	.88	.88	.88	.88
K	1.87	2.00	2.25	2.75	3.25	3.75	4.75	5.75
Y	.58	.58	.70	.70	.70	.70	.70	.70
Z	1.20	1.33	1.58	2.08	2.58	3.08	4.08	5.08
Weight, lb.	5.22	5.38	5.75	6.44	7.16	7.72	9.19	10.31

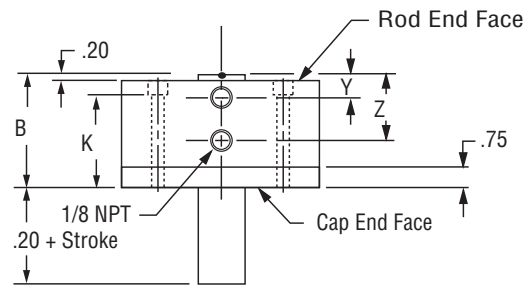
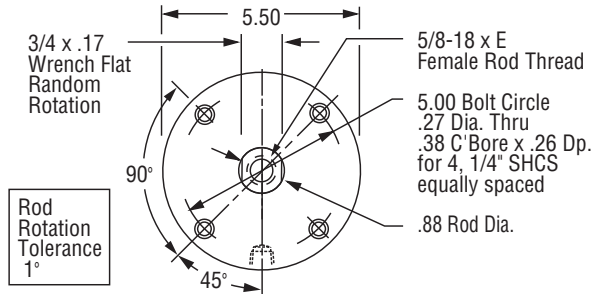


### Action -XDRK Original Series Double Rod, Double Acting, Nonrotating



See page 1.16 for  
Mounting Bolts.  
Force area = 11.87  
Seal Kit = 1221-SK-K

Stroke, Inches	1/8	1/4	1/2	1	1 1/2	2	3	4
Stroke, Letter	AC	AB	AA	A	B	C	D	E
B	2.33	2.45	2.70	3.20	3.70	4.20	5.20	6.20
E	.50	.50	.75	.88	.88	.88	.88	.88
K	1.87	2.00	2.25	2.75	3.25	3.75	4.75	5.75
Y	.58	.58	.70	.70	.70	.70	.70	.70
Z	1.20	1.33	1.58	2.08	2.58	3.08	4.08	5.08
Weight, lb.	5.65	5.81	6.19	6.89	7.63	8.23	9.70	10.85



**Prefix Option M  
Metric Cylinder & Rod Thread  
101.6mm Bore**

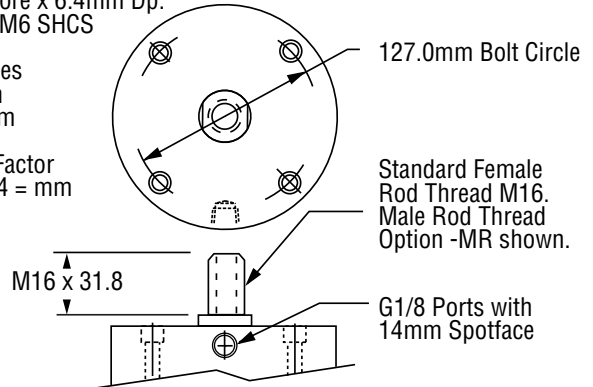
Available on Original Series with Actions -XDR, -XDRK.  
Also see Option Information on Page 1.7

Stroke mm	3.2	6.4	12.7	25.4	38.1	50.8	76.2	101.6
Stroke Letter	AC	AB	AA	A	B	C	D	E

Mounting Holes  
6.7mm Diameter Thru  
10.3mm C Bore x 6.4mm Dp.  
4 Places for M6 SHCS

Thread Pitches  
M6 = 1.0mm  
M16 = 2.0mm

Conversion Factor  
Inches x 25.4 = mm



The **Suffix Options** charted on the right are available on Original Series with the Actions indicated (✓). They require no dimensional changes from the Standard Specifications on page 1.63. – Also see Option Information on pages 1.7 thru 1.15.

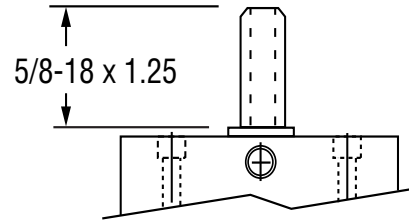
	T	V	Q	H	N	C1-C7	LF	LR	LFR	BF	BR	BFR	P14	25
-XDR	✓	✓	✓	✓	✓	✓	✓	✓	✓	✓	✓	✓	✓	✓
-XDRK	NA	✓	✓	✓	✓	✓	✓	✓	✓	✓	✓	✓	✓	✓

**Suffix Options -MR, -MR1, -MR2 Male Rod Thread**

Available on Original Series with Actions -XDR, -XDRK.

- For Rod End only use **-MR**
- For Cap End only use **-MR1**
- For Both Ends use **-MR2**

Also see Option Information on Page 1.8



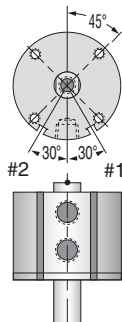
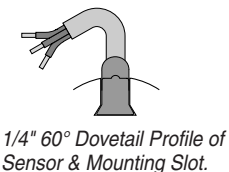
**Suffix Option -E Specifies Magnetic Piston and Dovetail Mounting Slot(s)**

Strokes are NOT affected by magnetic piston.

**– Sensors Must be Ordered Separately  
See Sensor Models Available page 1.14**

**4" (1221) Bore**

Sensors available for "AB" strokes and longer.



**Quick Reference to Standard Strokes**  
Use the appropriate Stroke Letter in the Model Number

**Available on Original Series**

Sensor Slots at Positions #1 and # 2	Action	
	Stroke	XDR, XDRK
Sensor Slots at Position #1 only	1/4 -----	AB
	1/2 -----	AA
	1 -----	A
Sensor Slot at Position #1 only	1 1/2 -----	B
	2 -----	C
	3 -----	D
	4 -----	E

## External Guide Pins Provide Load Guiding

**External guide pins**, adapted to the **Pancake®** cylinder line provide a superior nonrotating piston rod feature for applications such as package placement, figure stamping, and any application where anti-rotation and registration are critical as the piston is extended and retracted.

A mounting block is bolted to the piston rod. This block has two square pins mounted to it which in turn pass through guide blocks mounted on the sides of the cylinder.

Square guide pins are hard chrome plated steel for long wear and corrosion resistance.

Guide blocks are hard anodized aluminum for long wear and corrosion resistance.

Clearance in guide block mounting holes provide for adjustment and backlash control, compensation for wear, and minimal rotation.

Extended distance between guides provides superior nonrotation and support.

Extended piston rod provides clearance between cylinder and guide bar mounting block to eliminate pinch points.



Model G-221-X-G Shown

### Available on **Pancake®** cylinders: Original and "T" Series

**Bores:** 3/4" (7), 1 1/8" (121), 1 5/8" (221),  
2" (321), 2 1/2" (521), 3" (721),  
and 4" (1221)

**Strokes:** 1/8" through 4"

**Actions:** -X, -XDR

In combination with Options:

Suffix;

-T, -V, -Q, -H, HHC, -HC, -P14,  
-N, -C1 — -C7, -AS, -RS, -LF,  
-LR, -LFR, -BF, -BR, -BFR, -E

Also available in Square 1® cylinders:  
Bores 3/4" through 2"  
Strokes 1/8" through 6"  
See page 2.14 of this catalog.

---

## HOW TO ORDER

Select the basic **Pancake®** Cylinder model number for your desired series, bore and stroke. Then **add -G as a Suffix Option.**

### **Please Note!!**

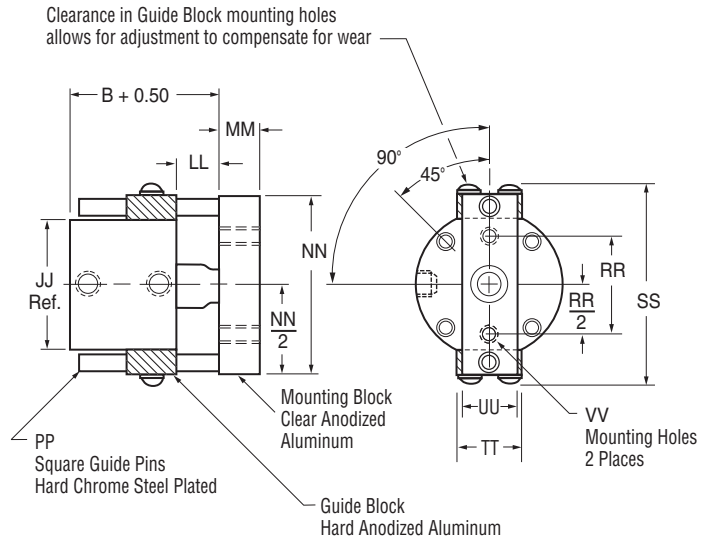
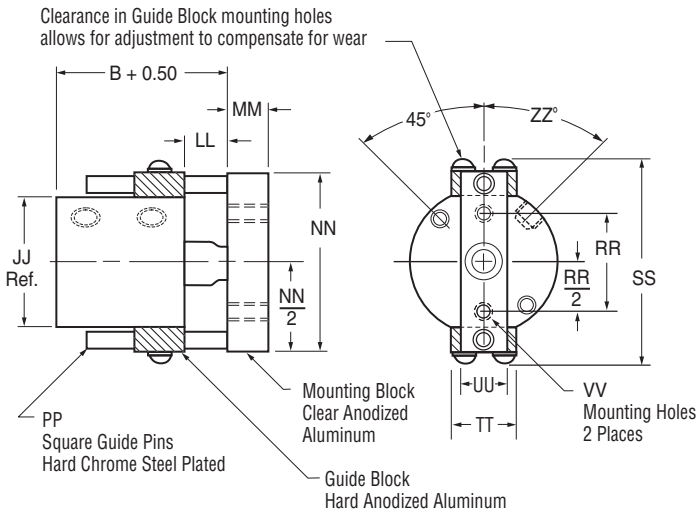
This option affects the rod end dimensions  
See details on page 1.66.

---

For dimensions B and all other dimensions not noted, please refer back to the main dimension table associated with your cylinder model and option selections. Use the CAD library of **Pancake®** cylinders with your CAD program to reduce design time.

## 3/4" through 2" Bores

## 2 1/2" through 4" Bores



Model	7	121	221	321
Bore	3/4"	1 1/8"	1 5/8"	2"
JJ	1.50	1.99	2.74	3.24
LL	0.63	0.64	0.64	0.64
MM	0.63	0.63	0.63	0.75
NN	2.20	2.75	3.50	4.00
PP	0.19	0.25	0.25	0.25
RR	0.88	1.06	1.50	1.88
SS	2.30	3.13	3.85	4.37
TT	0.75	1.00	1.00	1.00
UU	0.63	0.63	0.75	1.00
VV	#6-32	#8-32	1/4-20	5/16-18
ZZ	45°	45°	45°	63°

Model	521	721	1221
Bore	2 1/2"	3"	4"
JJ	3.74	4.24	5.50
LL	0.64	0.64	0.70
MM	0.75	1.00	1.25
NN	4.56	5.06	6.32
PP	0.31	0.31	0.31
RR	1.88	1.88	1.88
SS	4.88	5.38	7.09
TT	1.00	1.00	1.00
UU	1.00	1.00	1.25
VV	5/16-18	5/16-18	5/16-18